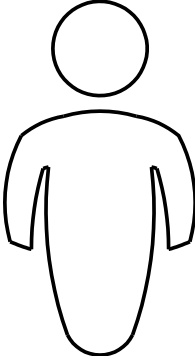
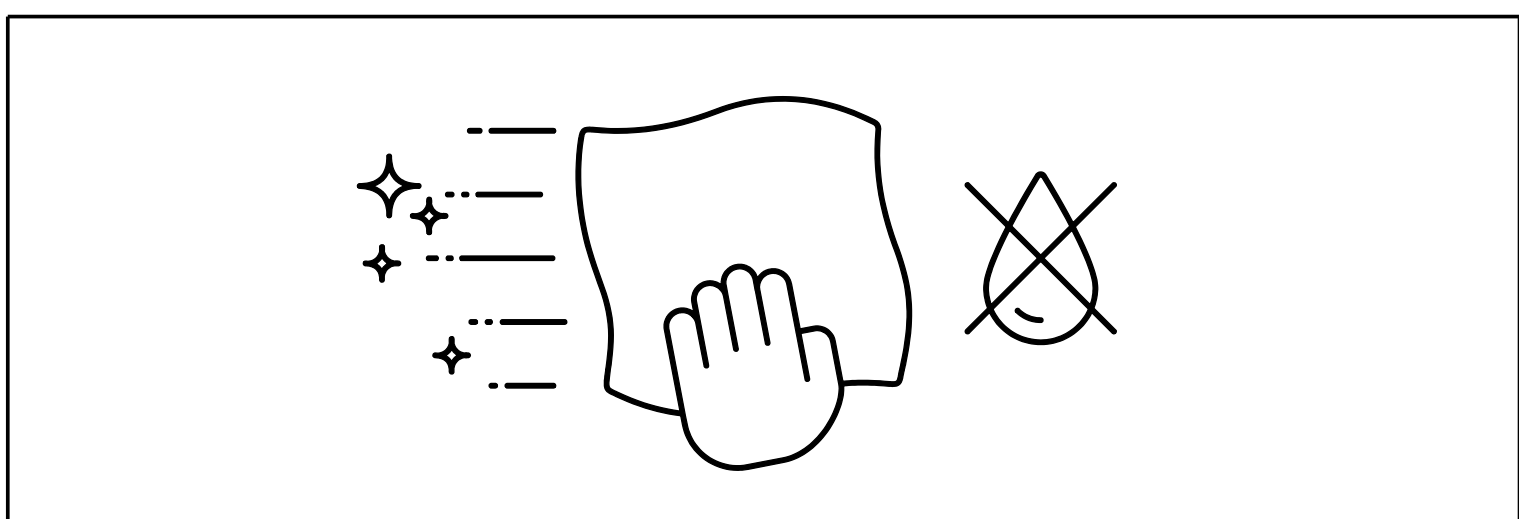
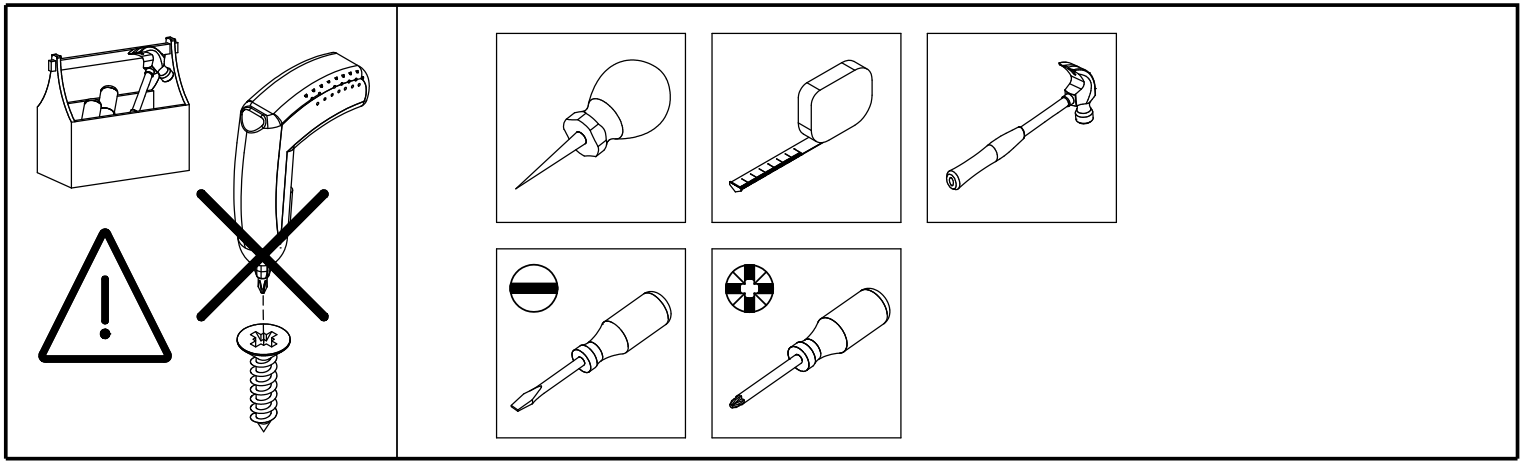
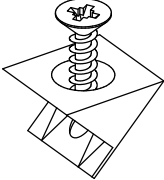
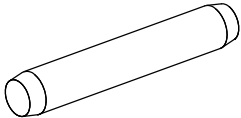
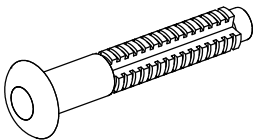
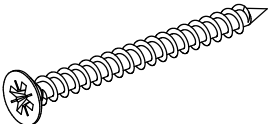
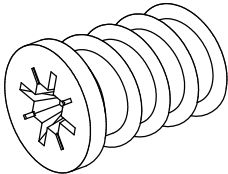
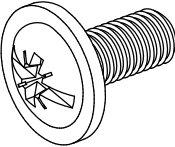
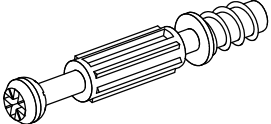
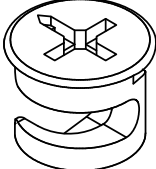
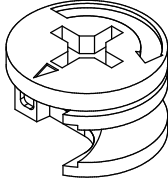
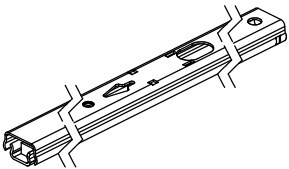
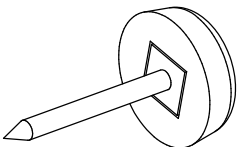
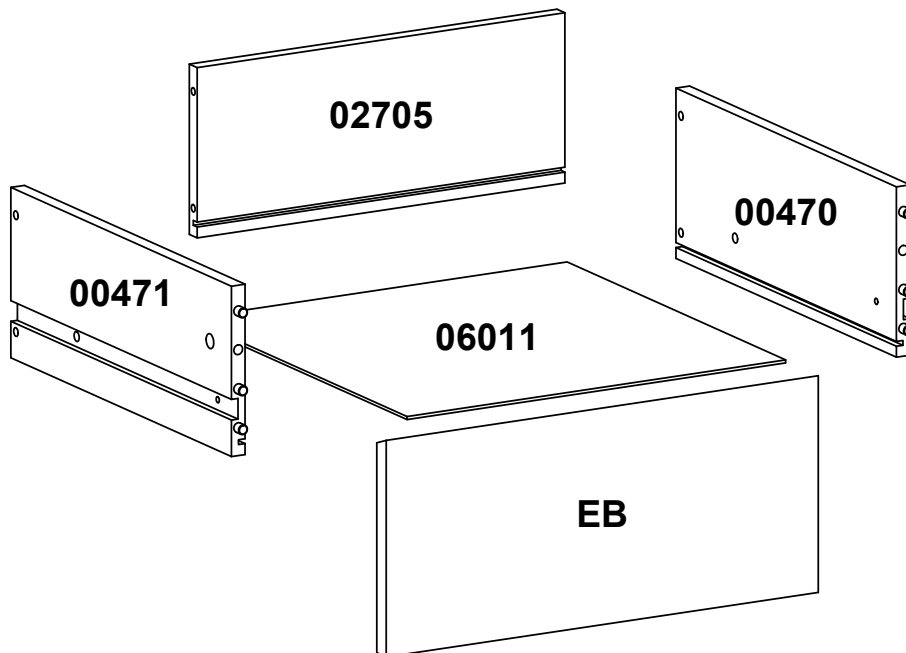
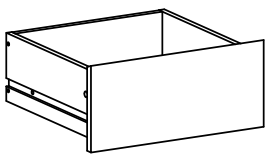
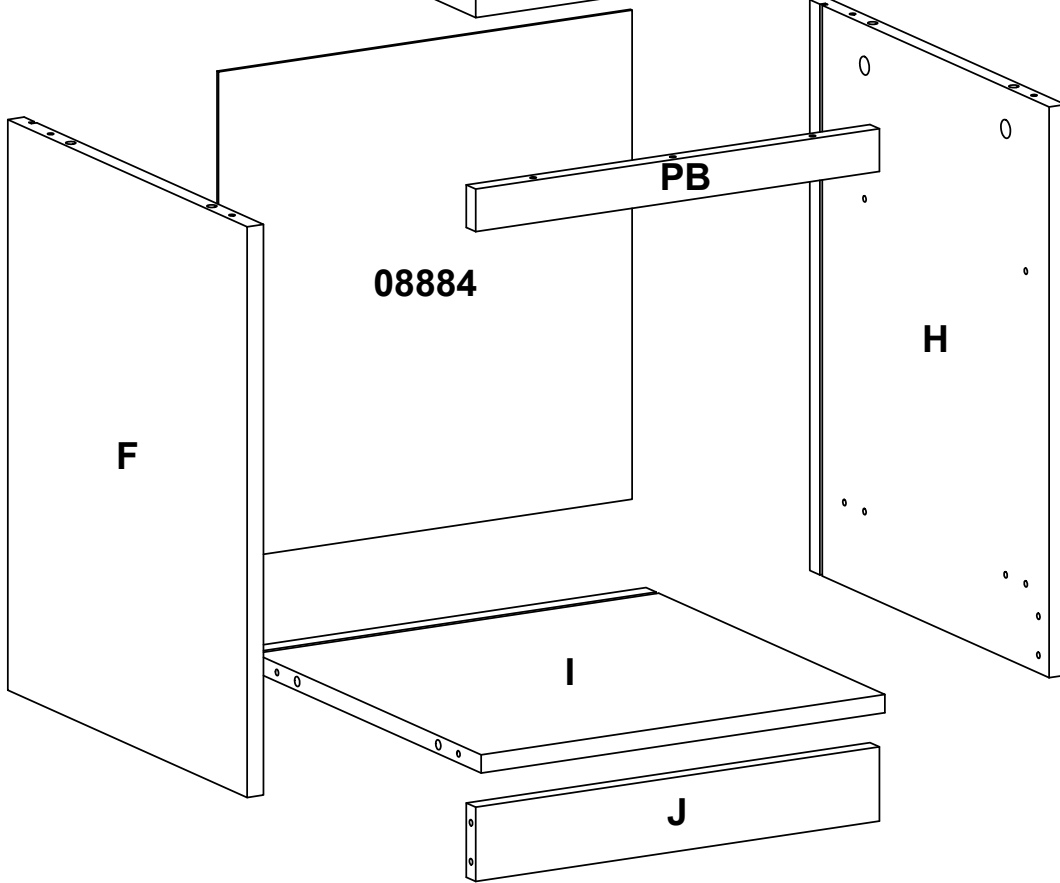
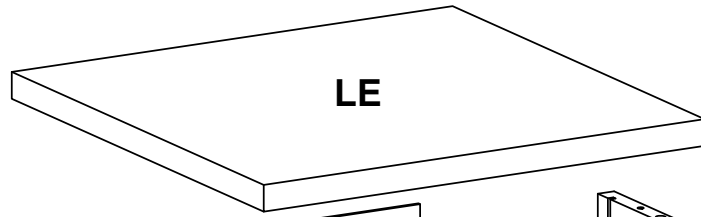
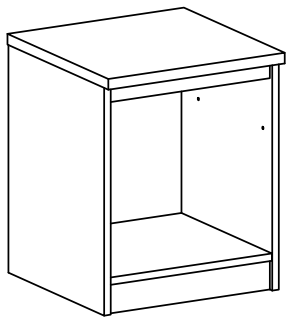
 1-2 hr

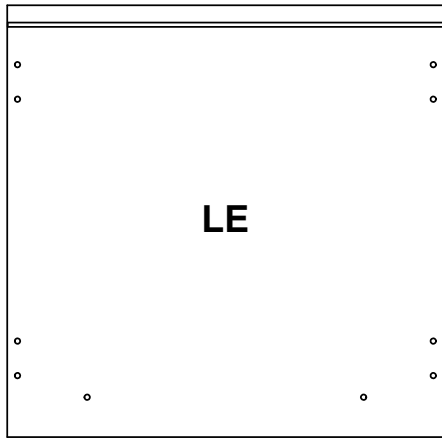
 x 1



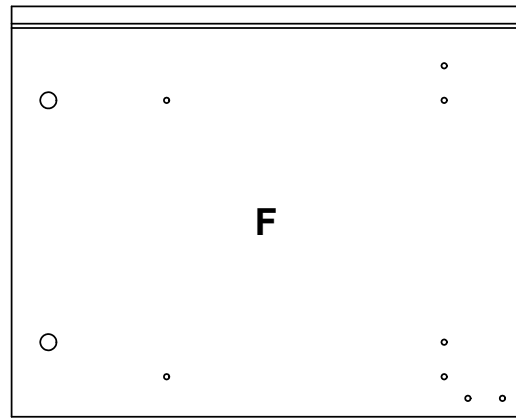


<p>0110401 <b>x8</b></p>  <p>0.59x0.55x0.39" 15x14x10 mm</p>	<p>0120203 <b>x14</b></p>  <p>Ø0.2x1.18" Ø5x30 mm</p>	<p>0120228 <b>x4</b></p>  <p>Ø0.25x1.57" Ø6,3x40 mm</p>	<p>0125266 <b>x1</b></p>  <p>Ø0.16x1.77" Ø4x45 mm</p>	<p>0126020 <b>x4</b></p>  <p>Ø0.23x0.35" Ø5,8x9 mm</p>
<p>0126214 <b>x2</b></p>  <p>M4x0.35" M4x9 mm</p>	<p>0131513 <b>x10</b></p>  <p>Ø0.30x1.73/1.34" Ø7,5x44/34 mm</p>	<p>0131631 <b>x2</b></p>  <p>Ø0.47x0.39" Ø12x10 mm</p>	<p>0131687 <b>x8</b></p>  <p>Ø0.59x0.37" Ø15x9,5 mm</p>	<p>0141407 <b>x2</b></p>  <p>0.67x12.13/13.78" 17x308/350 mm</p>
<p>0163001 <b>x4</b></p>  <p>Ø0.47x0.16" Ø12x4 mm</p>				

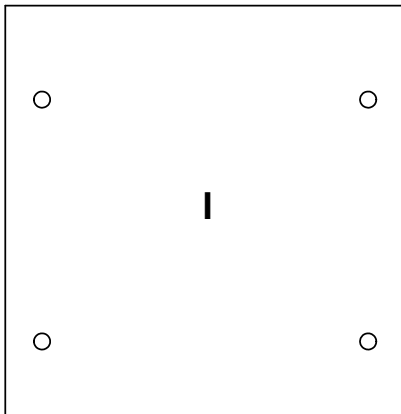




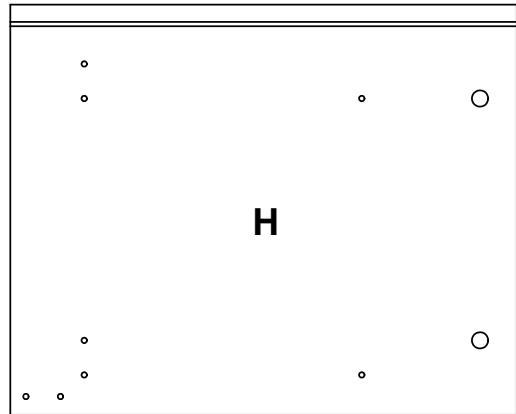
404x400x22mm



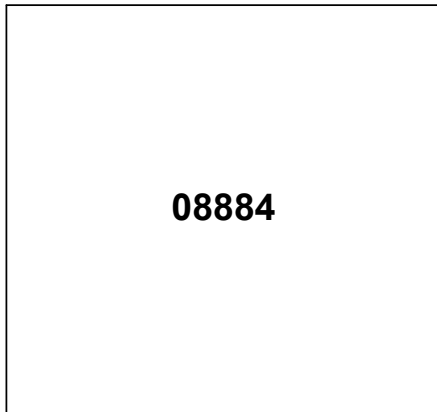
469x380x15mm



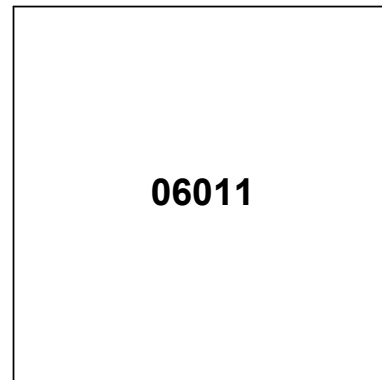
370x379x15mm



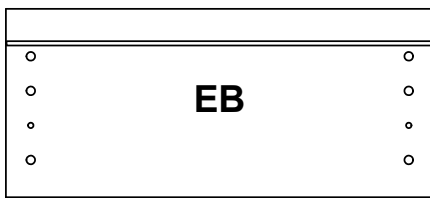
469x380x15mm



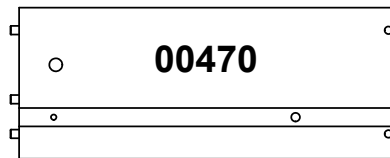
402x379x2,5mm



347x347x2,5mm



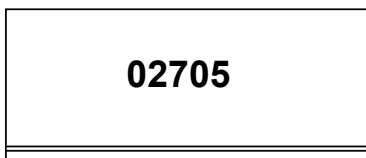
396x178x15mm



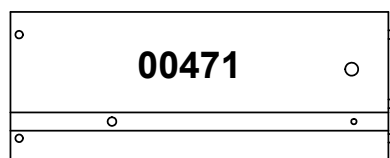
350x140x12,5mm



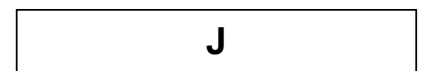
370x35x15mm



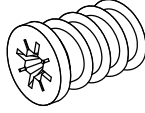
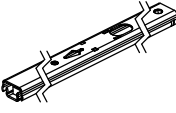
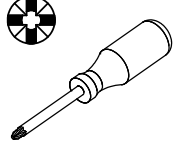
337x140x12,5mm

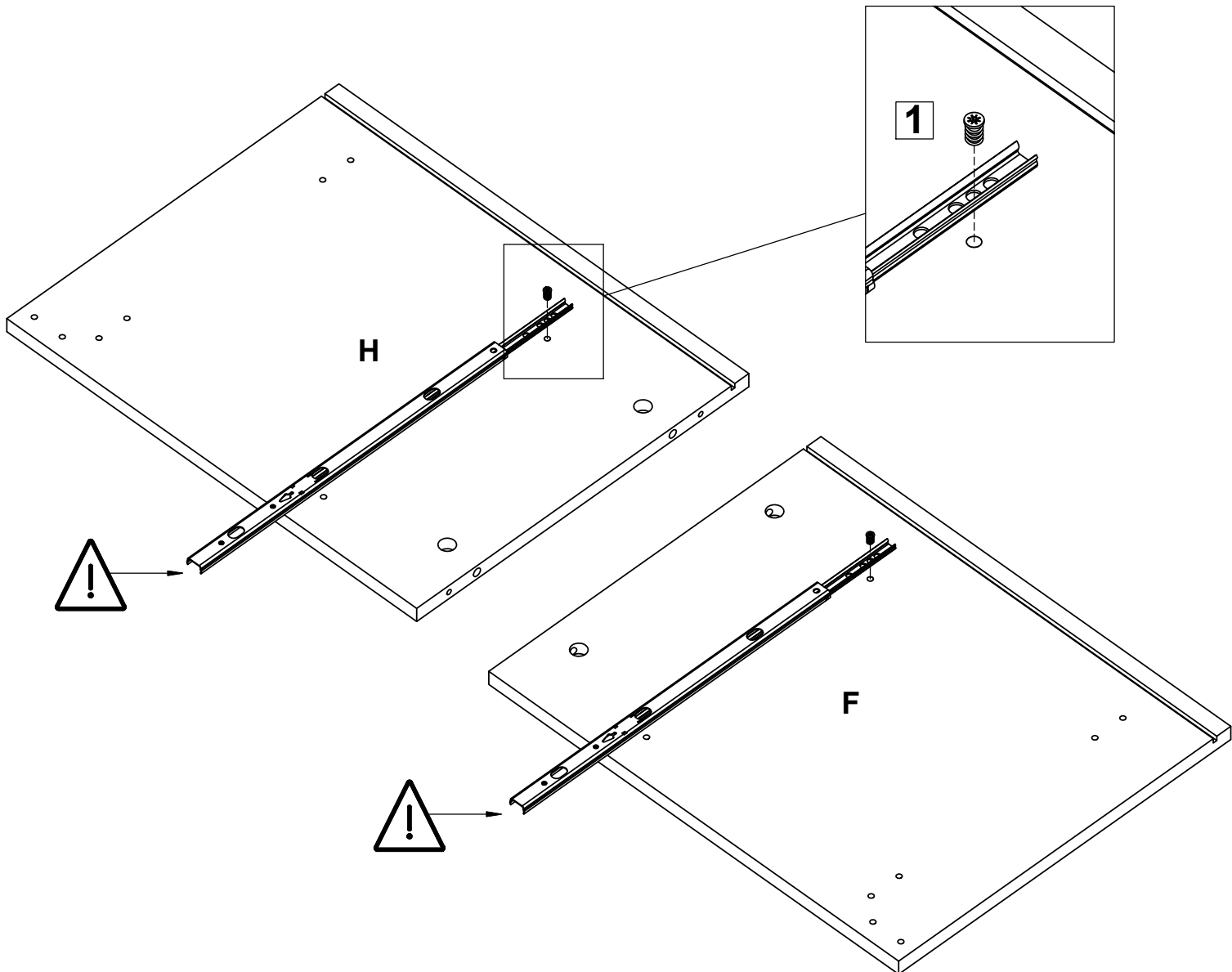
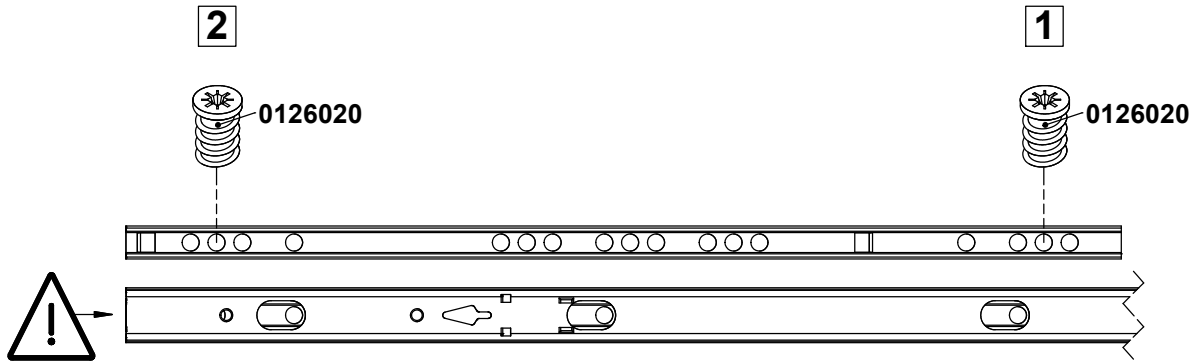


350x140x12,5mm



370x61x15mm

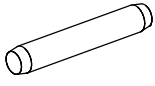
<b>1</b>	<p>0126020 <b>x4</b></p>  <p>Ø0.23x0.35" Ø5,8x9 mm</p>	<p>0141407 <b>x2</b></p>  <p>0.67x12.13/13.78" 17x308/350 mm</p>	
----------	--	--	--



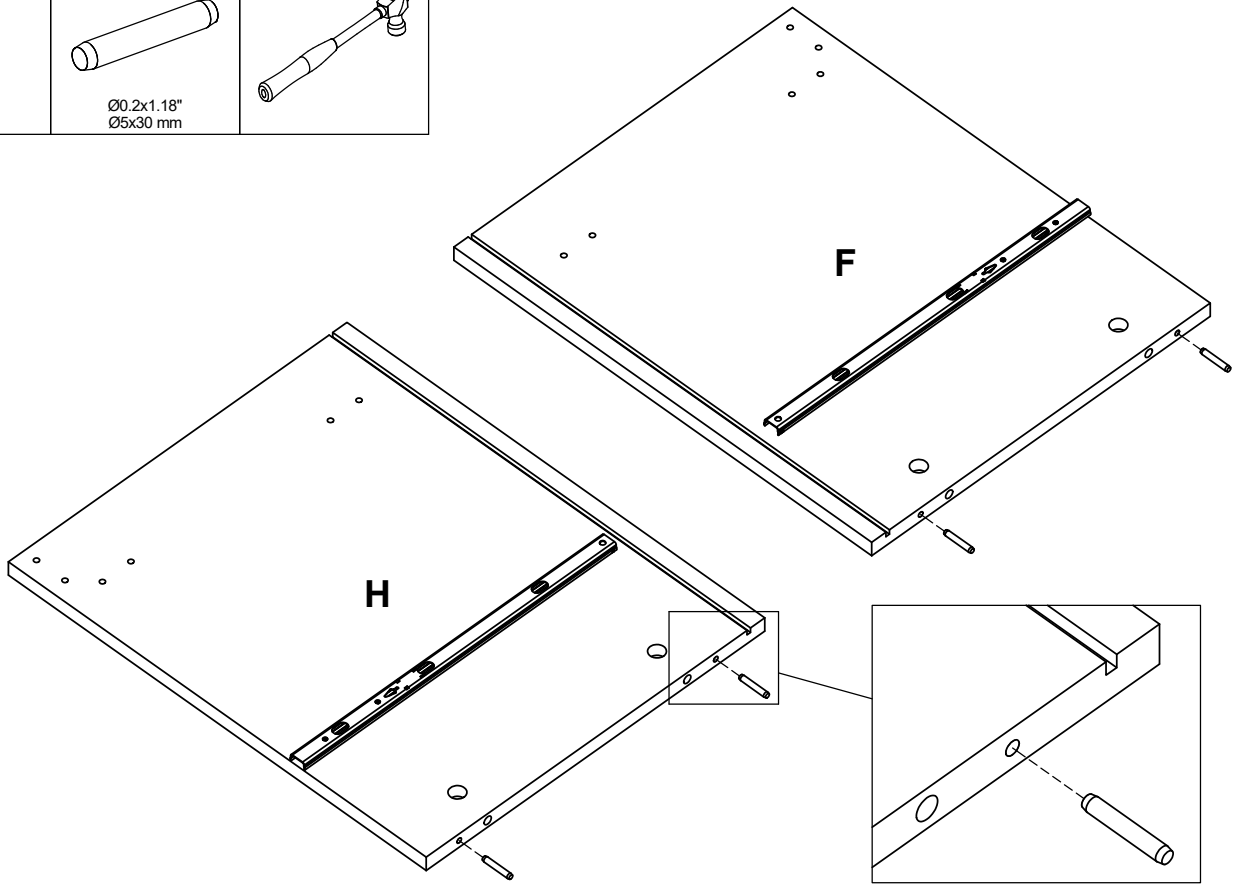
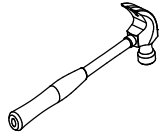
# 2

0120203

x4



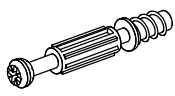
Ø0.2x1.18"  
Ø5x30 mm



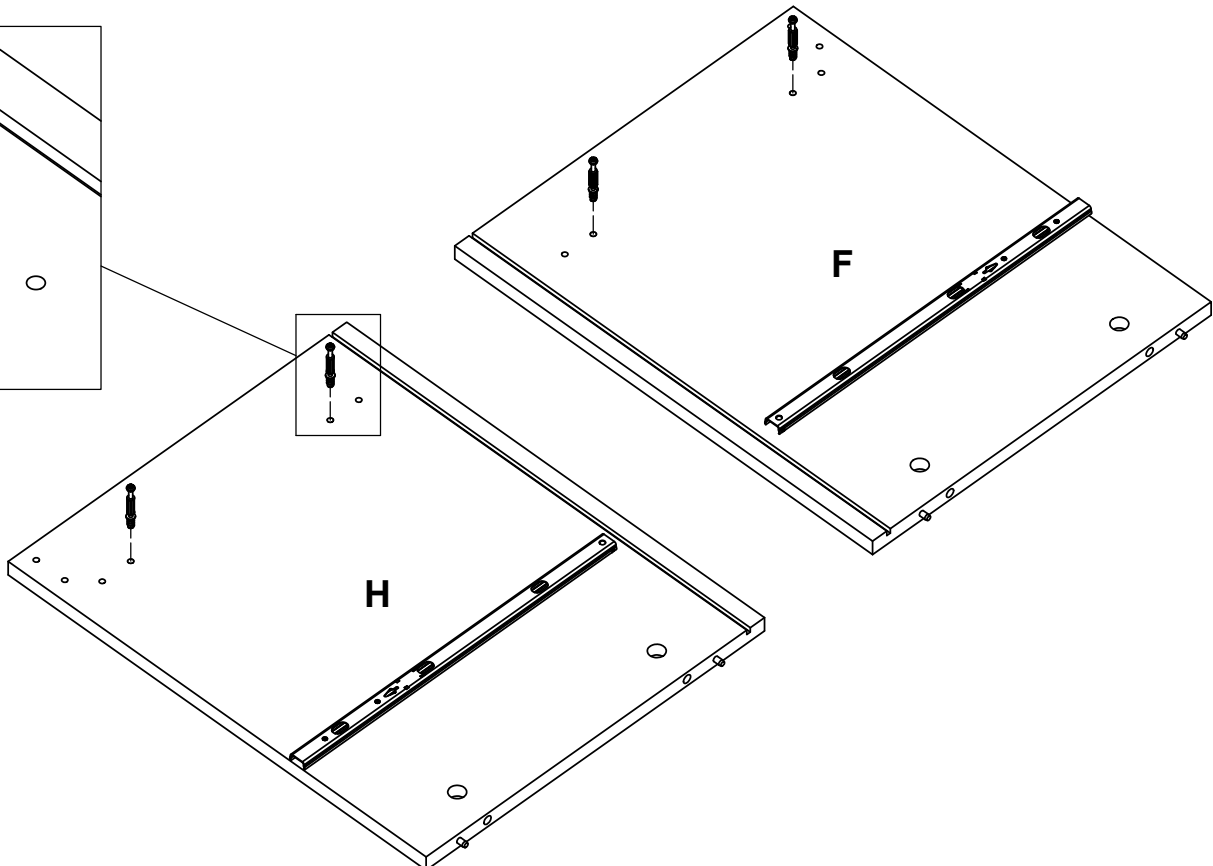
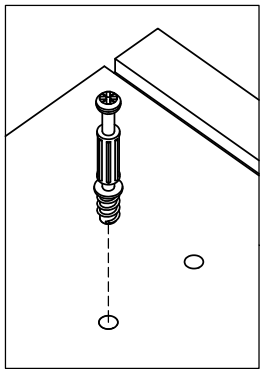
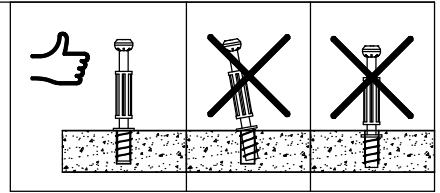
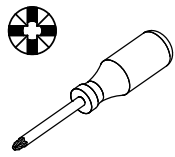
# 3

0131513

x4



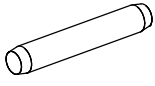
Ø0.30x1.73/1.34"  
Ø7,5x44/34 mm



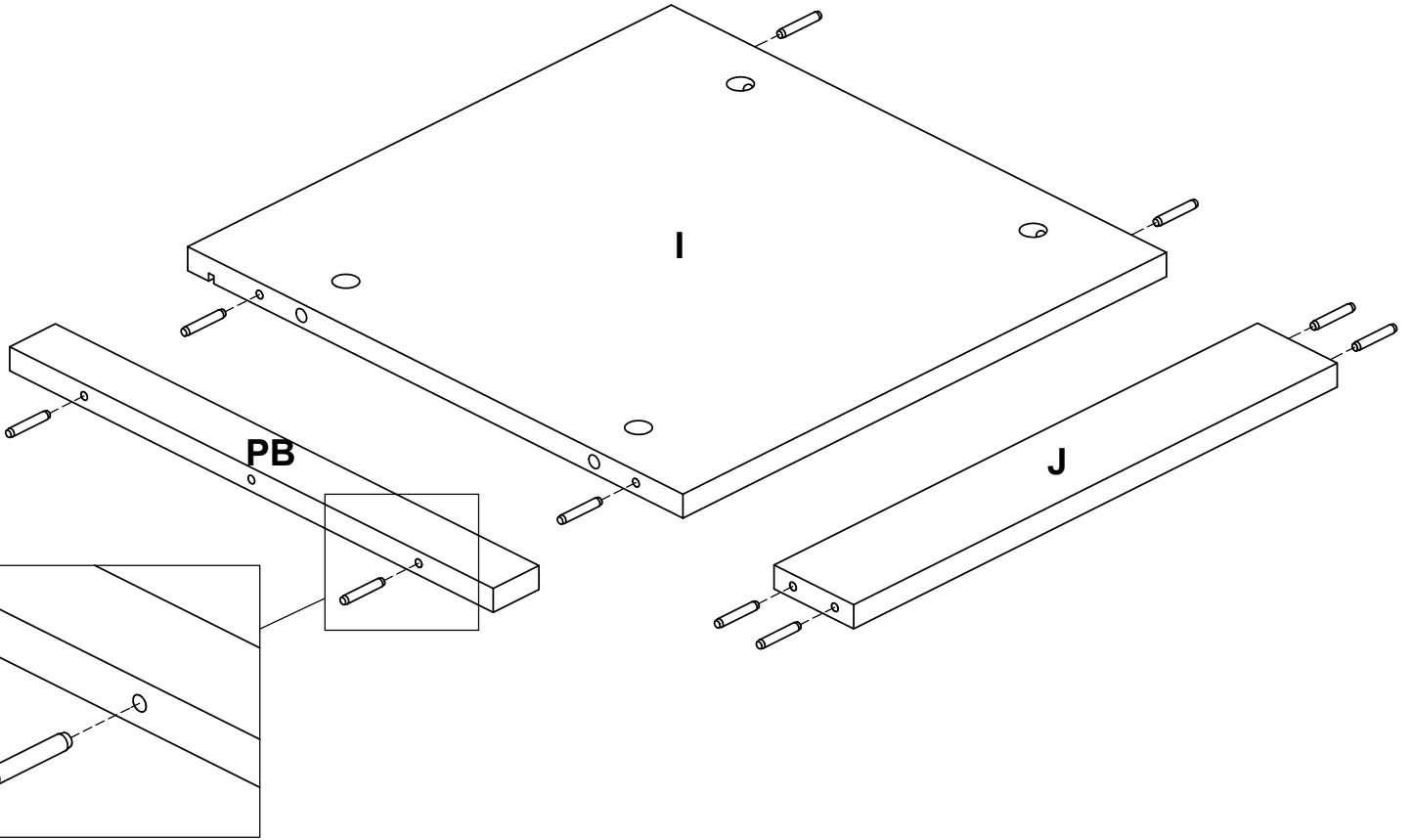
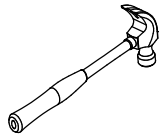
**4**

0120203

**x10**



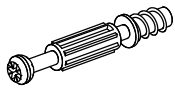
Ø0.2x1.18"  
Ø5x30 mm



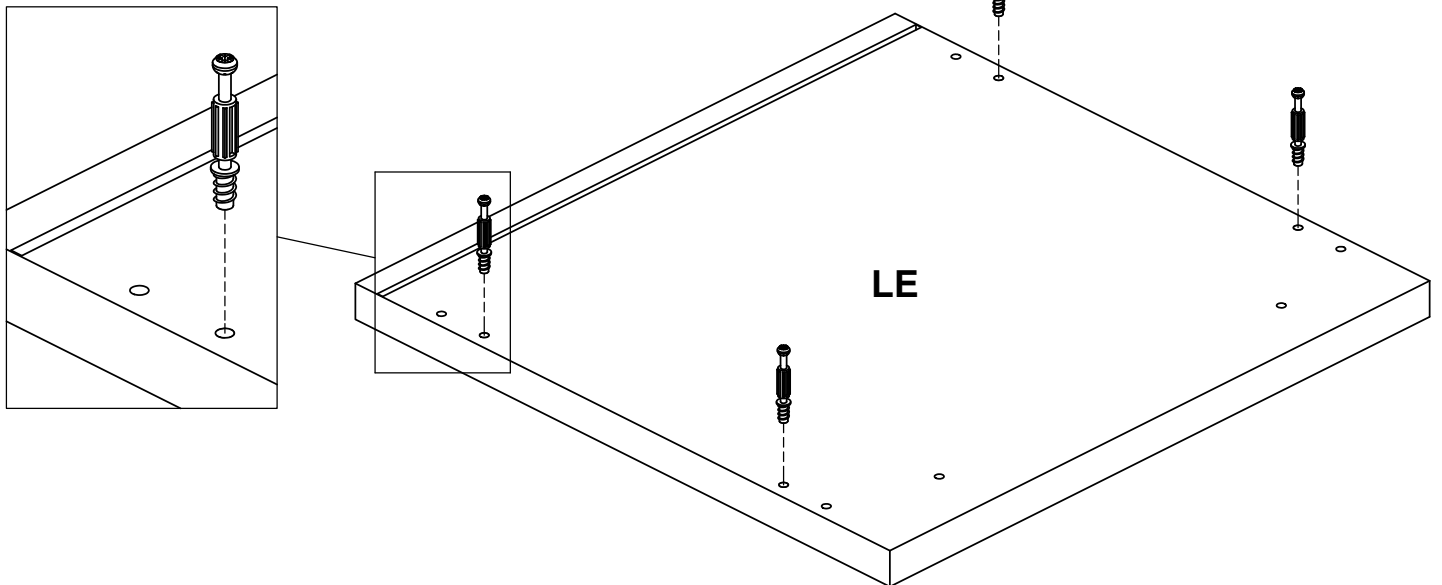
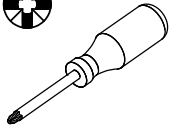
**5**


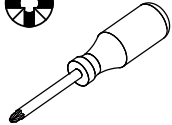
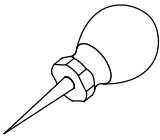
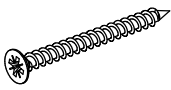
0131513

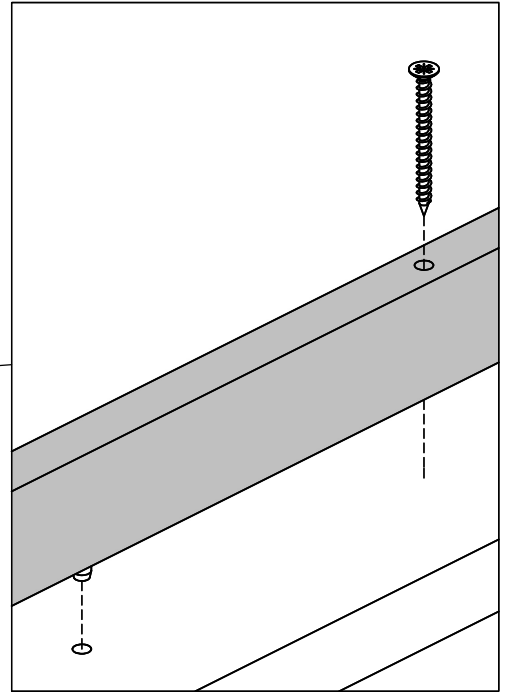
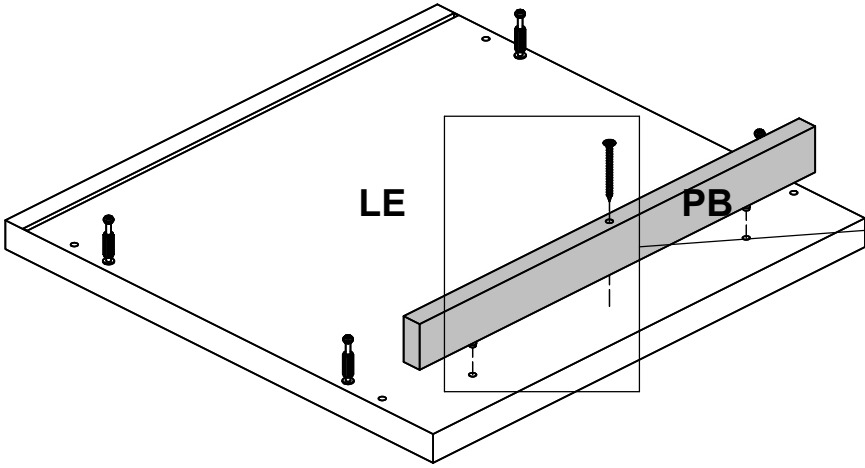
**x4**


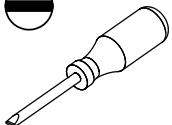
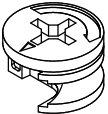


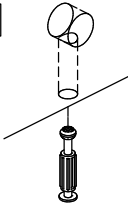
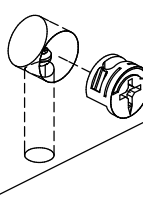
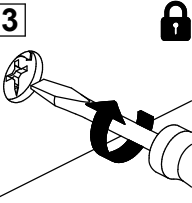
Ø0.30x1.73/1.34"  
Ø7.5x44/34 mm

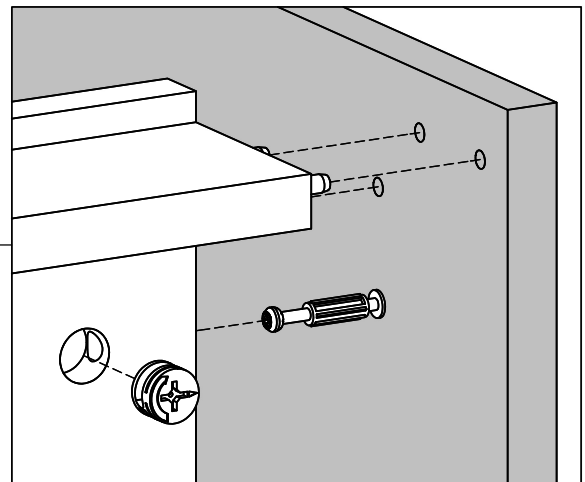
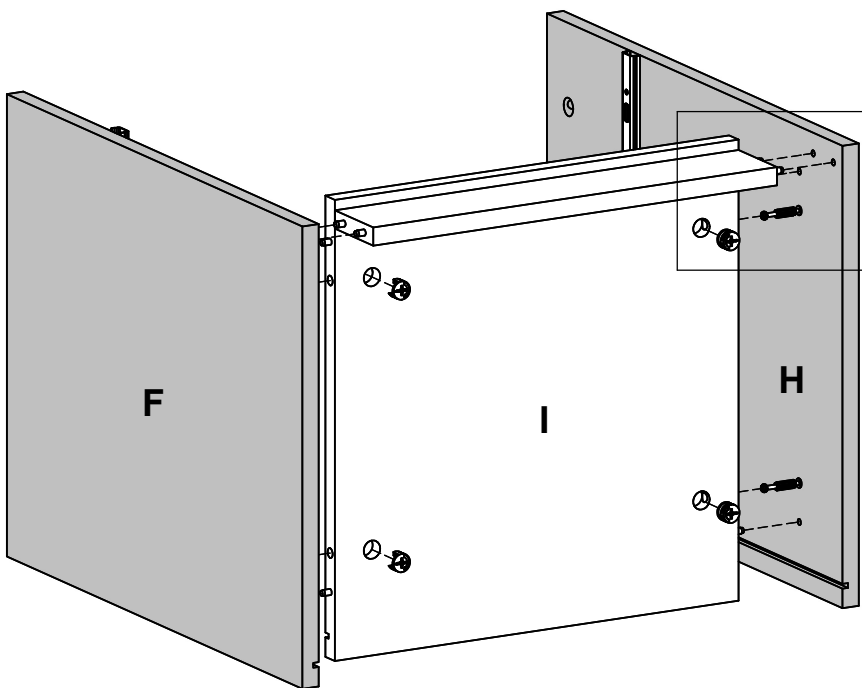


<b>6</b>	0125266 <b>x1</b>			
		$\varnothing 0.16 \times 1.77''$ $\varnothing 4 \times 45 \text{ mm}$		

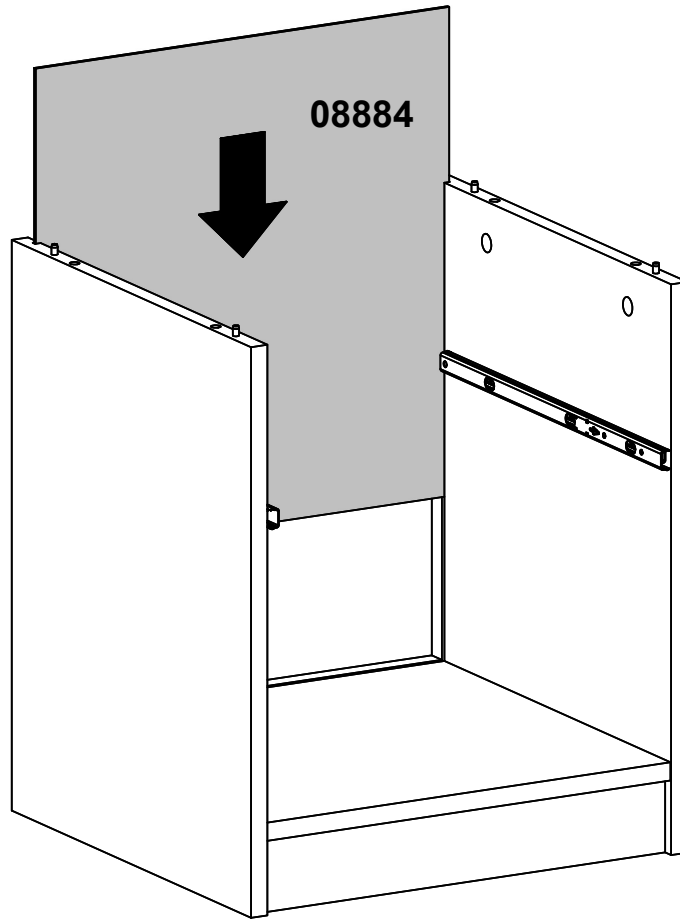


<b>7</b>	0131687 <b>x4</b>		
		$\varnothing 0.59 \times 0.37''$ $\varnothing 15 \times 9.5 \text{ mm}$	

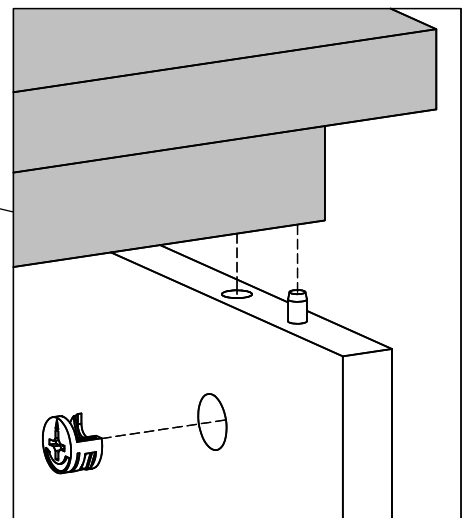
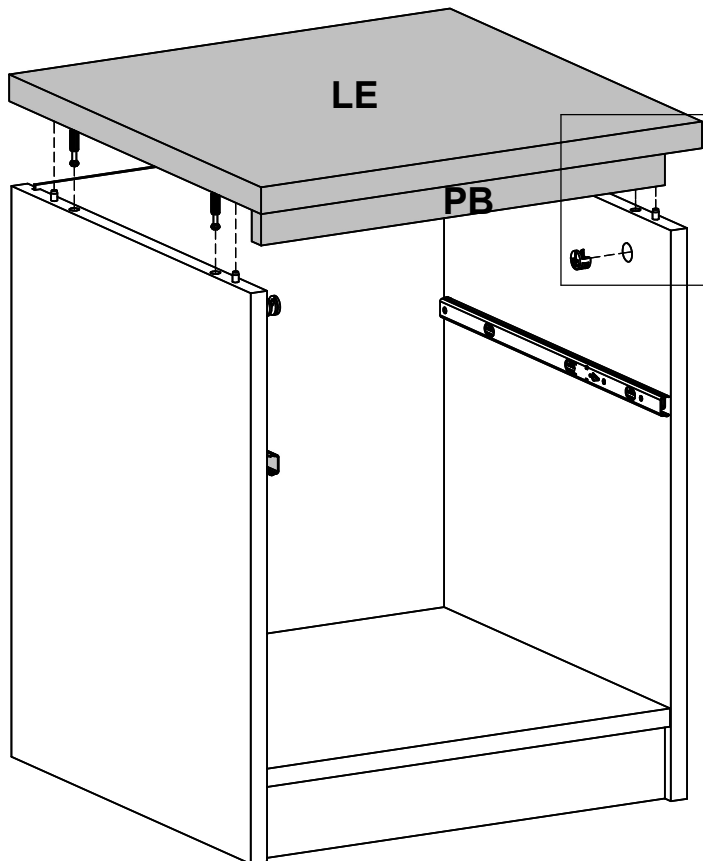
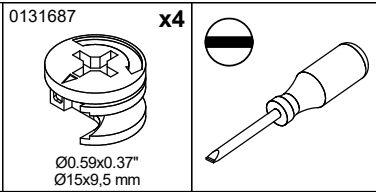
<b>1</b>		<b>2</b>		<b>3</b>	
----------	--	----------	---	----------	---



8



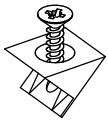
9



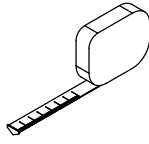
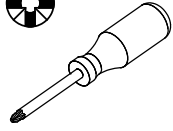
# 10

0110401

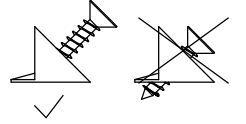
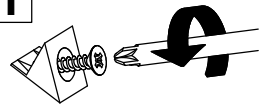
x8



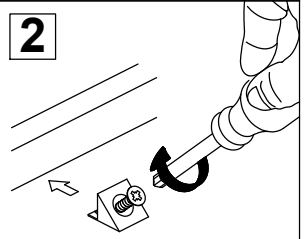
0.59x0.55x0.39"  
15x14x10 mm



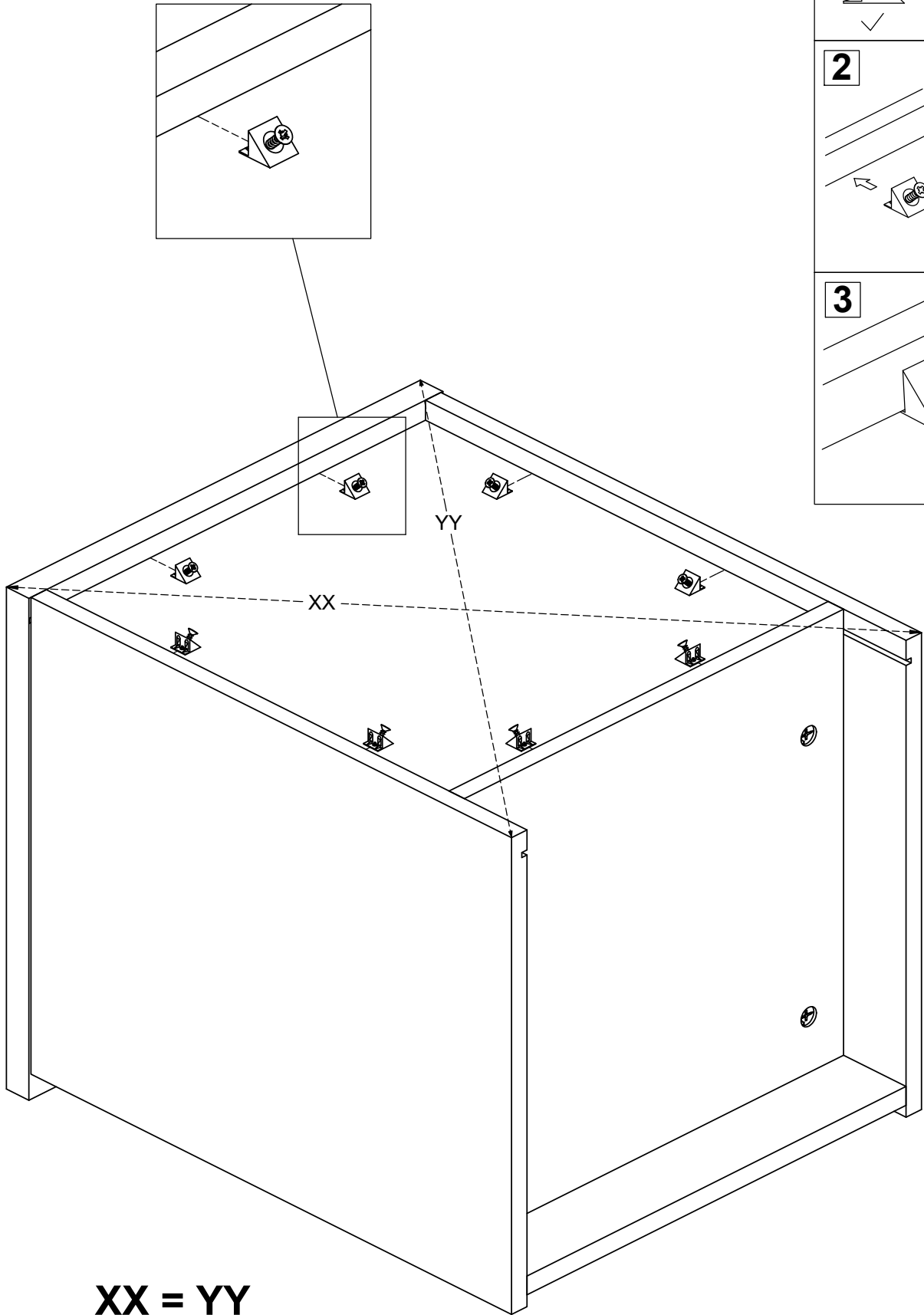
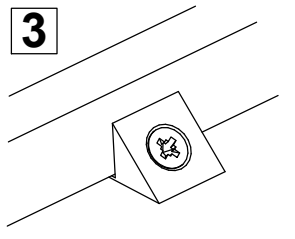
1



2



3

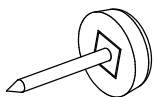


**XX = YY**

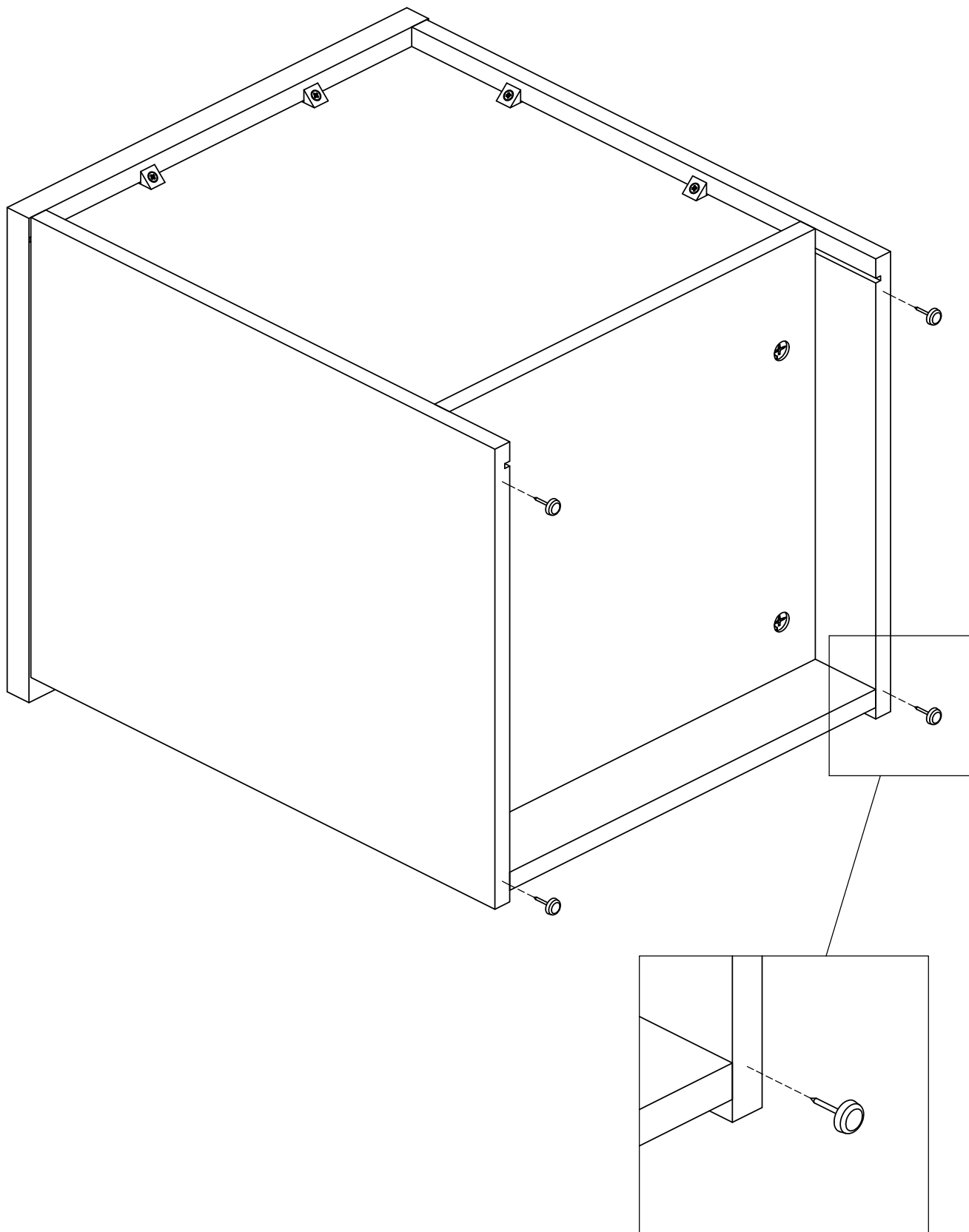
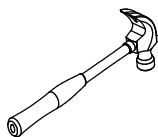
# 11

0163001

x4



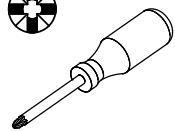
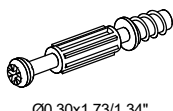
Ø0.47x0.16"  
Ø12x4 mm



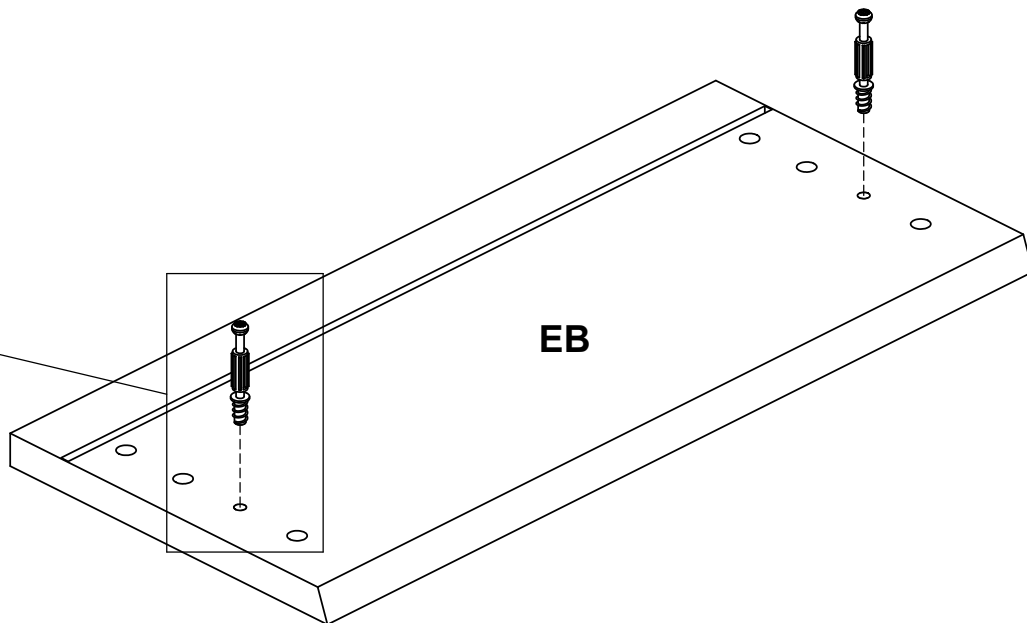
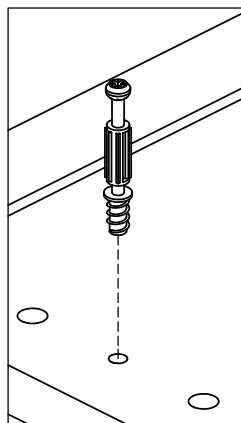
# 12

0131513

x2



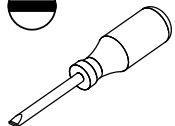
Ø0.30x1.73/1.34"  
Ø7,5x44/34 mm



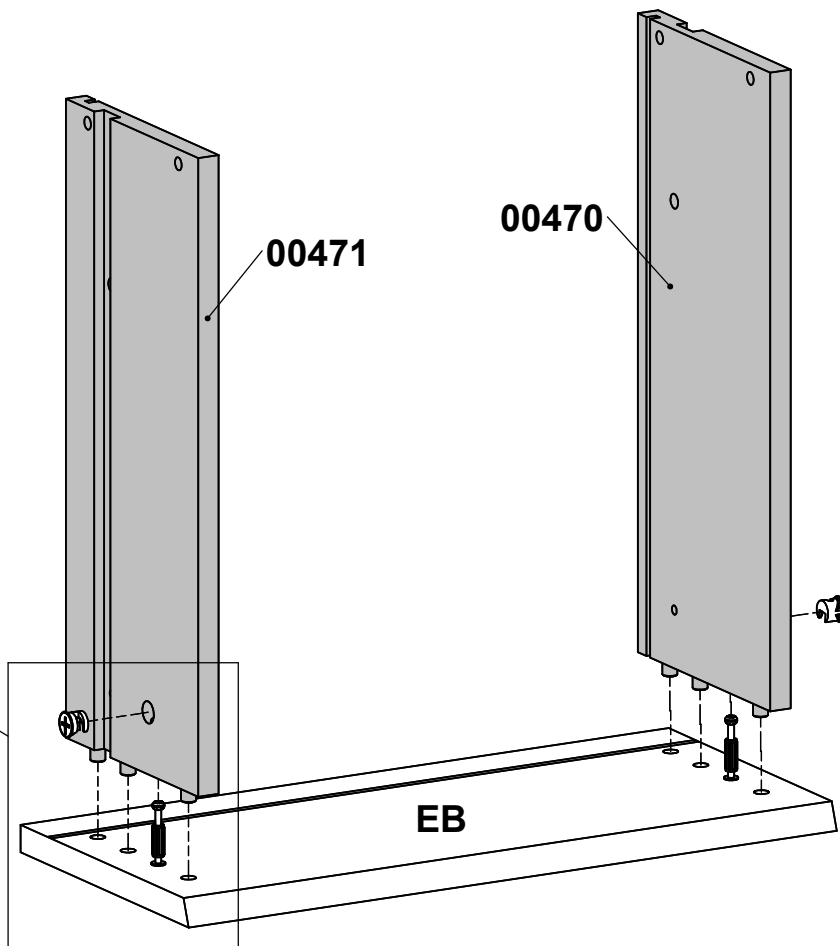
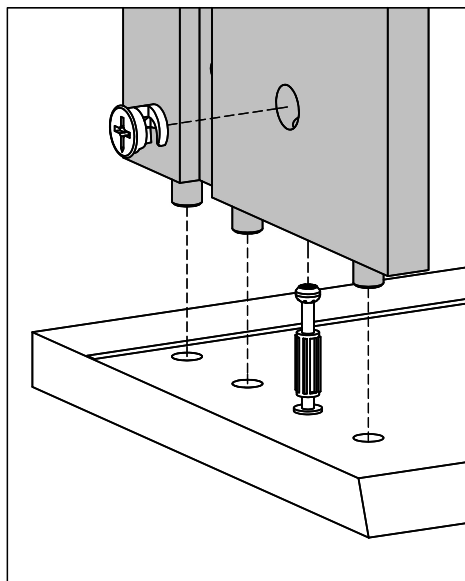
# 13

0131631

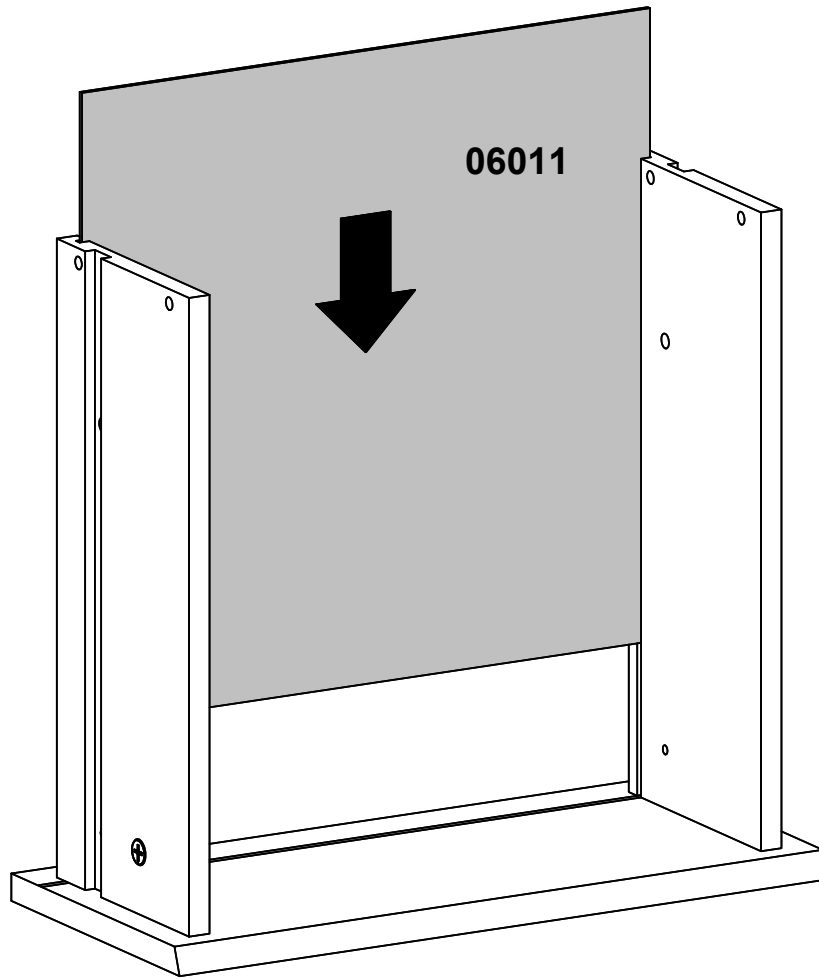
x2



Ø0.47x0.39"  
Ø12x10 mm



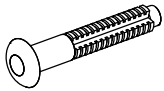
14



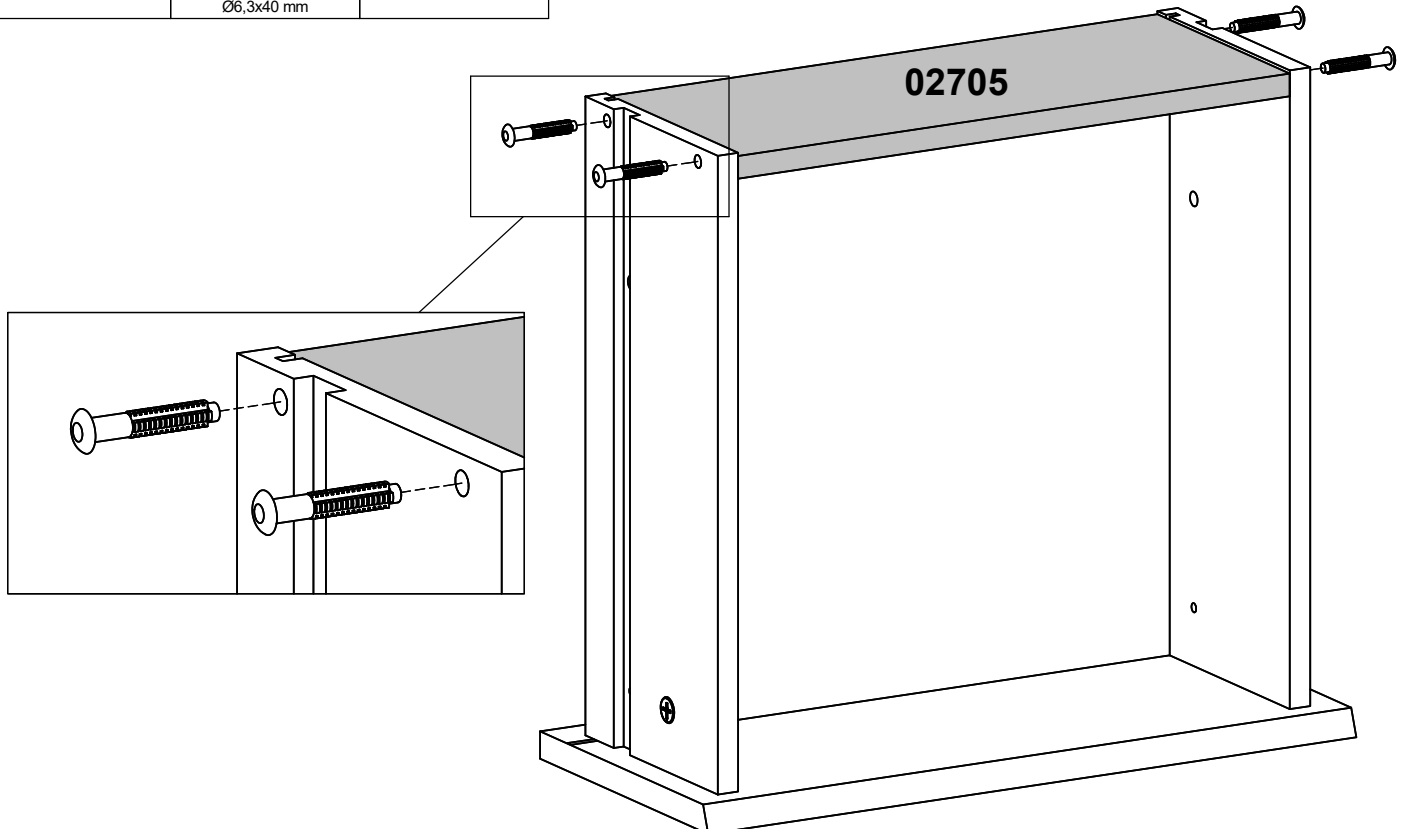
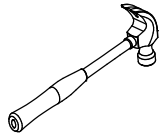
15

0120228

x4



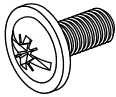
Ø0.25x1.57"  
Ø6.3x40 mm



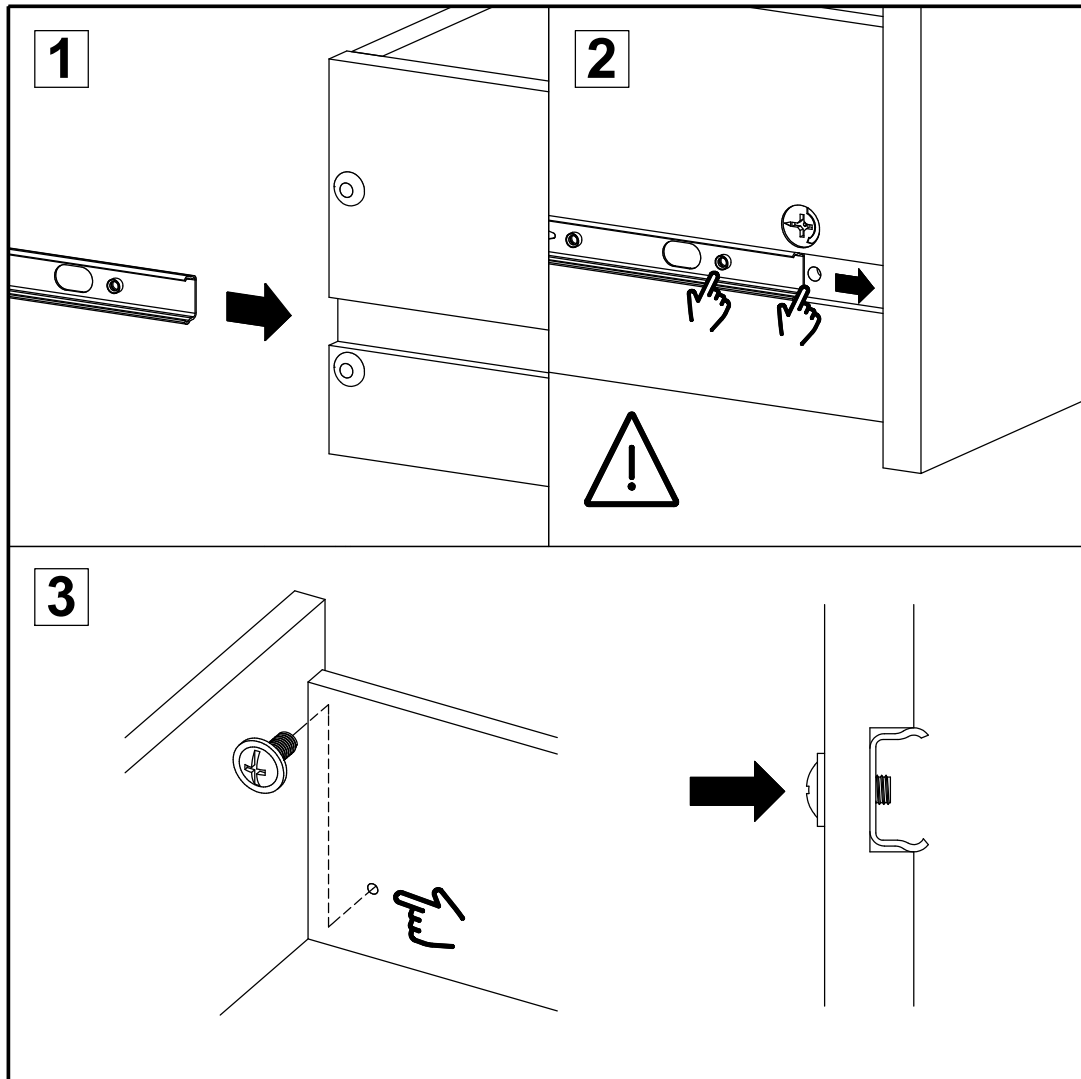
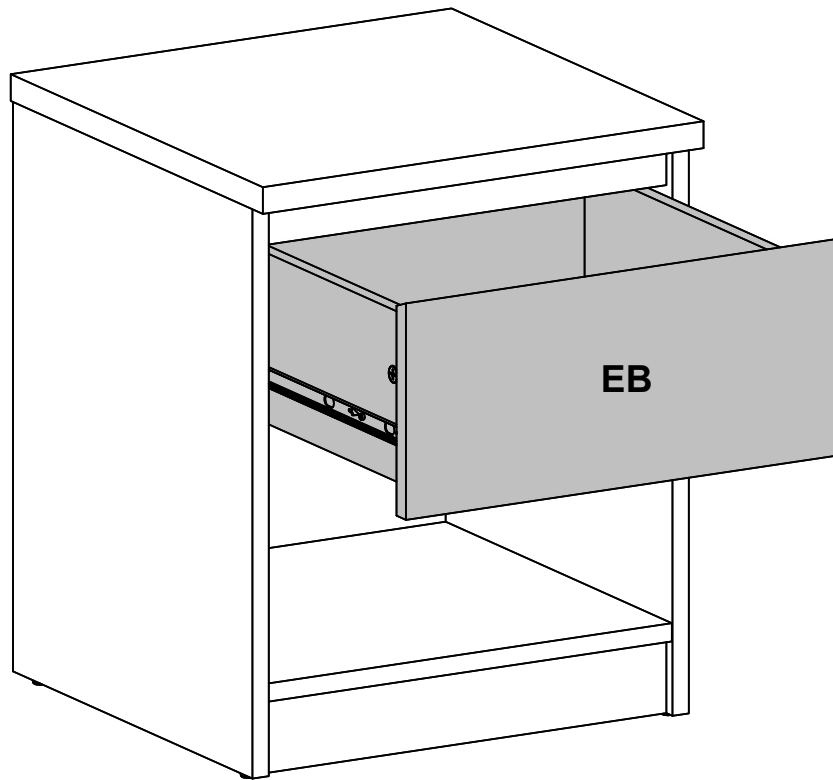
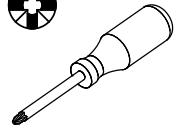
# 16

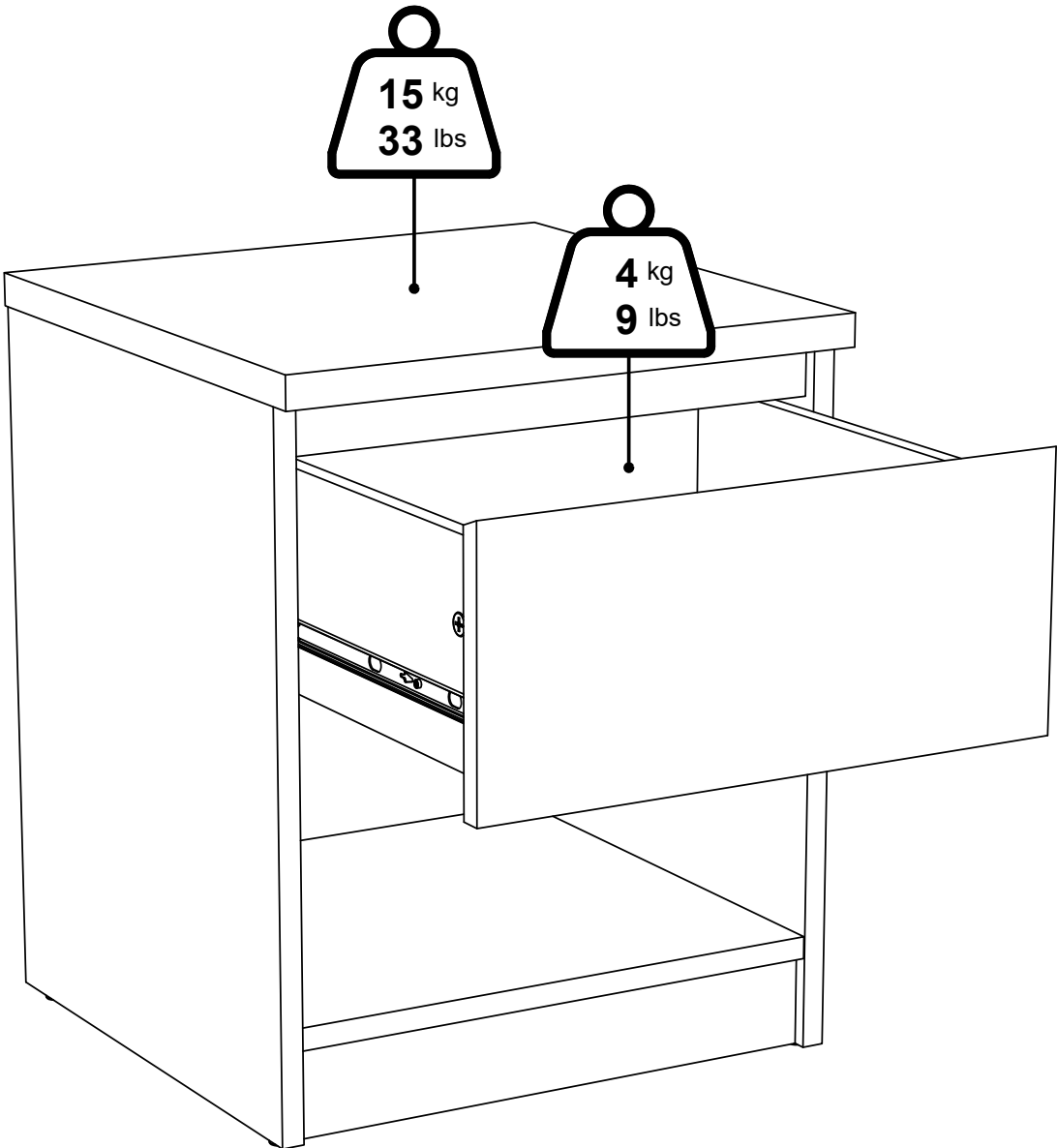
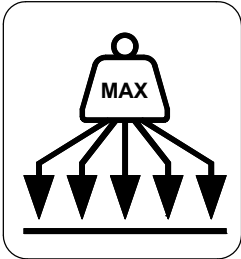
0126214

x2



M4x0.35"  
M4x9 mm





MIX  
Wood | Supporting  
responsible forestry  
FSC™ C021084

