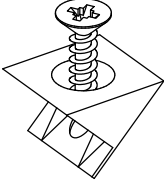
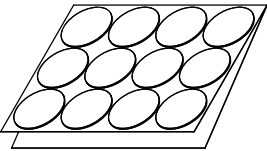
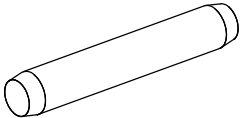
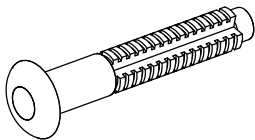
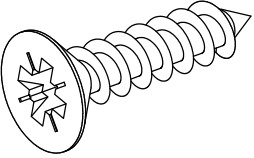
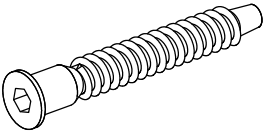
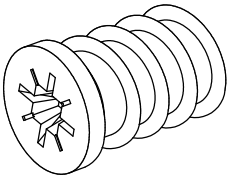
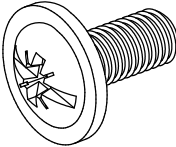
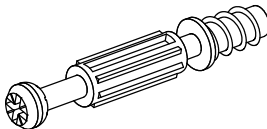
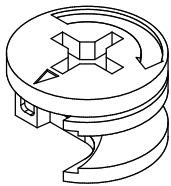
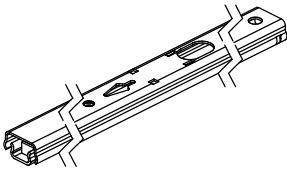
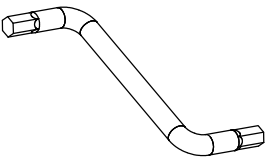
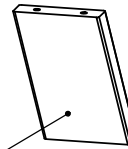
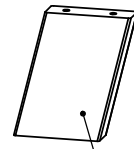
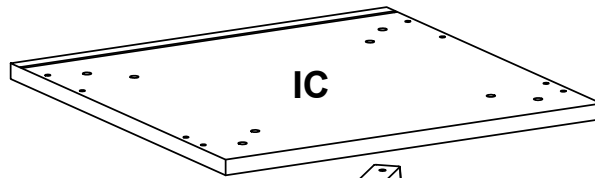
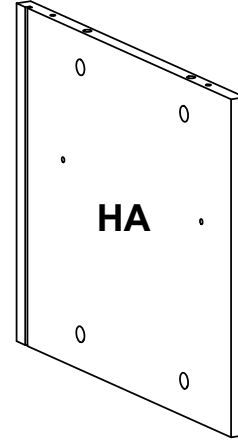
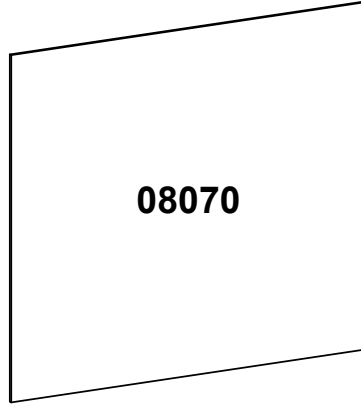
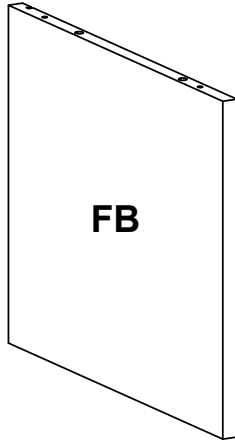
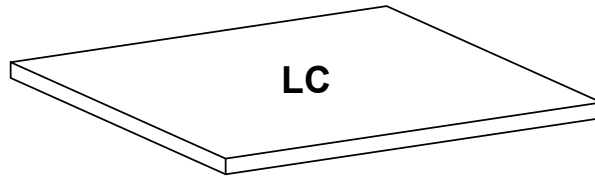
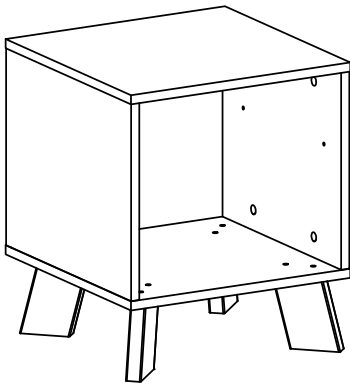
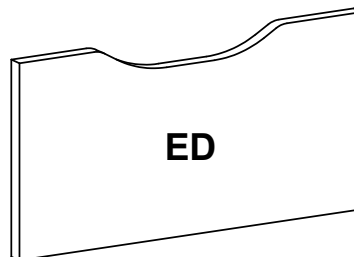
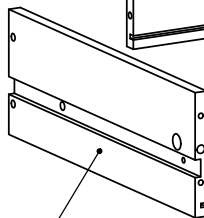
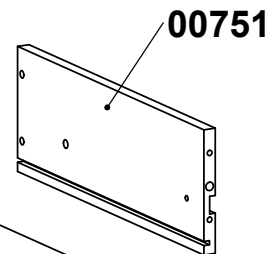
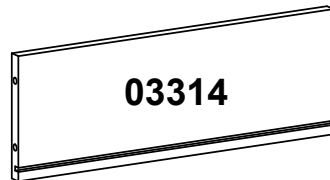
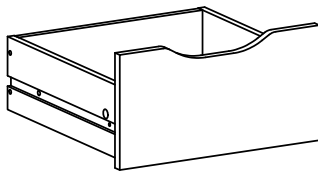


<p>0110401 x8</p>  <p>0.59x0.55x0.39" 15x14x10 mm</p>	<p>0110901 x1</p>  <p>Ø0.87x0.02" Ø22x0,5 mm</p>	<p>0120203 x12</p>  <p>Ø0.2x1.18" Ø5x30 mm</p>	<p>0120228 x4</p>  <p>Ø0.25x1.57" Ø6,3x40 mm</p>	<p>0125233 x4</p>  <p>Ø0.14x0.59" Ø3,5x15 mm</p>
<p>0125610 x8</p>  <p>Ø0.28x1.97" Ø7x50 mm</p>	<p>0126020 x4</p>  <p>Ø0.23x0.35" Ø5,8x9 mm</p>	<p>0126214 x2</p>  <p>M4x0.35" M4x9 mm</p>	<p>0131513 x10</p>  <p>Ø0.30x1.73/1.34" Ø7,5x44/34 mm</p>	<p>0131687 x10</p>  <p>Ø0.59x0.37" Ø15x9,5 mm</p>
<p>0141407 x2</p>  <p>0.67x12.13/13.78" 17x308/350 mm</p>	<p>0197642 x1</p>  <p>0.16x1.93x1.46" 4x49x37 mm</p>			



65921

65921



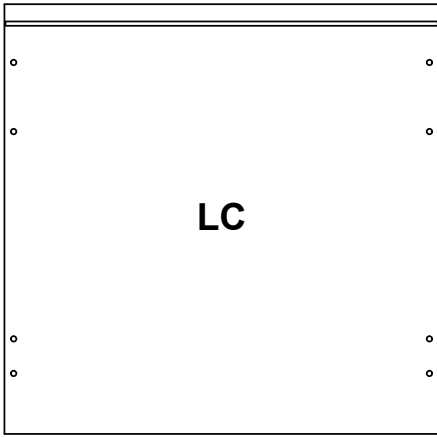
00752

00751

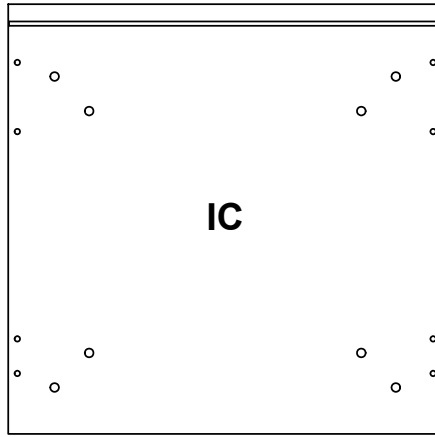
03314

06079

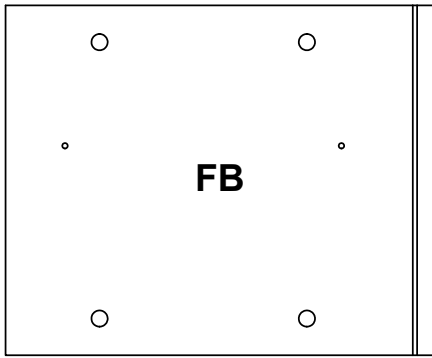
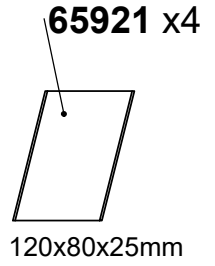
ED



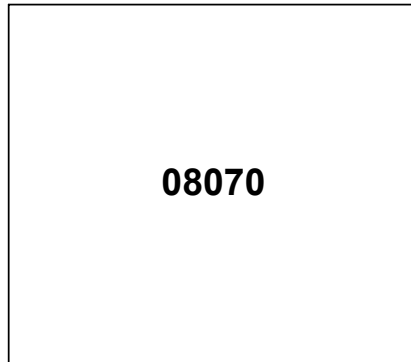
402x398x15mm



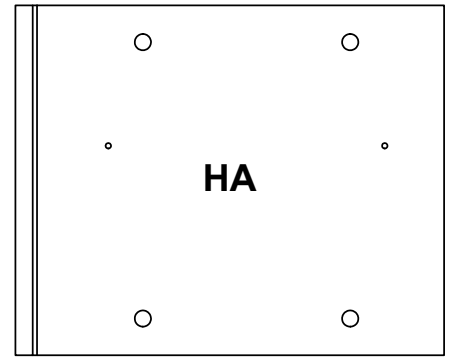
402x398x15mm



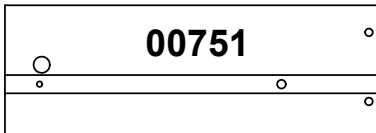
324x397x15mm



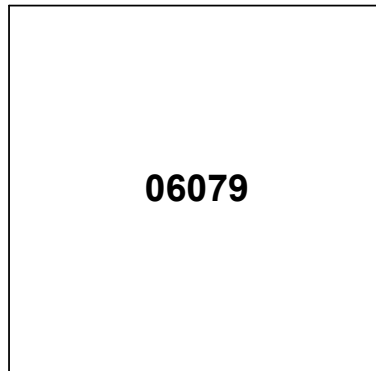
333x379x2,5mm



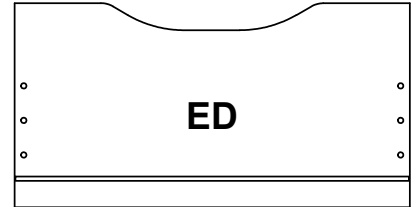
324x397x15mm



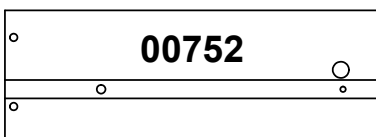
345x120x12,2mm



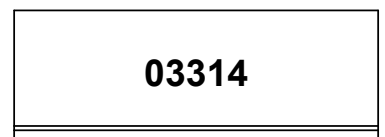
348x342x2,5mm



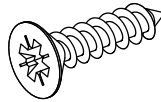
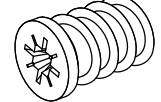
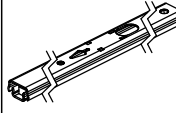
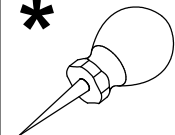
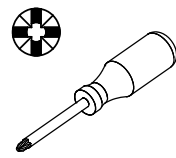
366x190x15mm

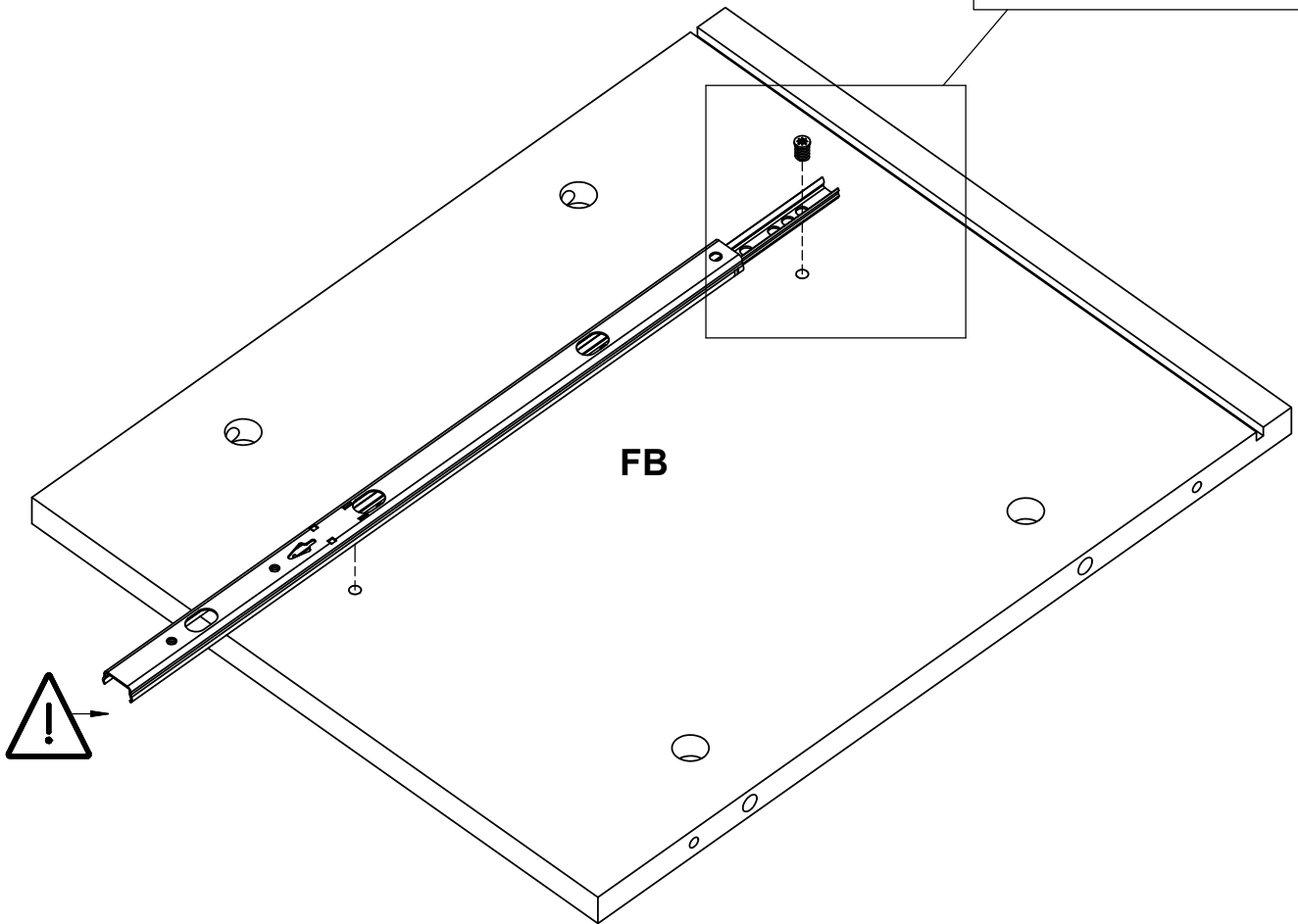
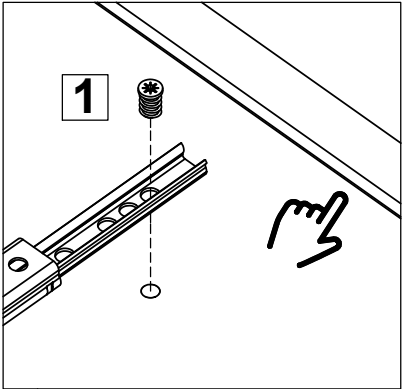
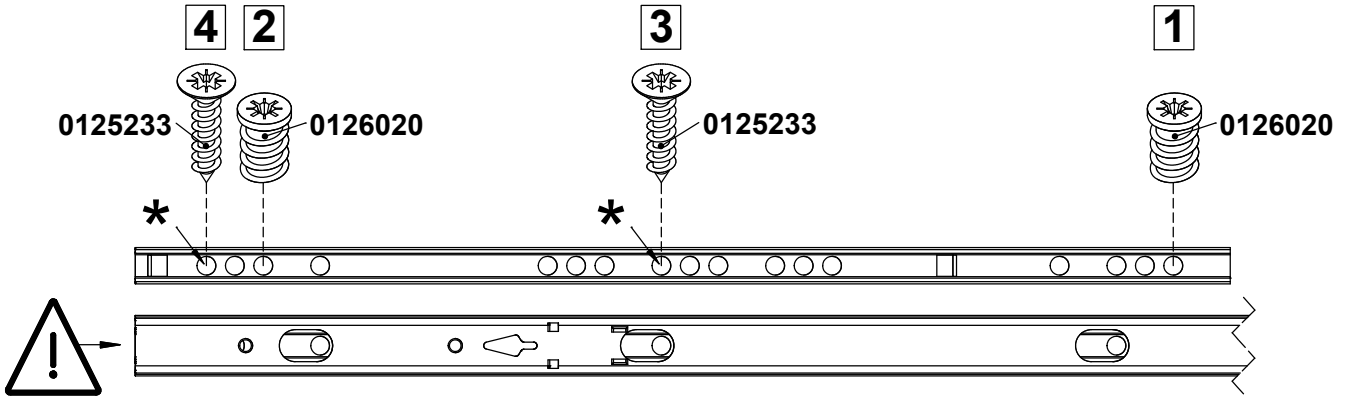


345x120x12,2mm



337x120x12,2mm

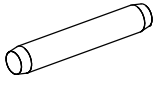
1	<p>0125233 x2</p>  <p>Ø0.14x0.59" Ø3,5x15 mm</p>	<p>0126020 x2</p>  <p>Ø0.23x0.35" Ø5,8x9 mm</p>	<p>0141407 x1</p>  <p>0.67x12.13/13.78" 17x308/350 mm</p>	<p>*</p> 	
----------	---	--	--	--	---



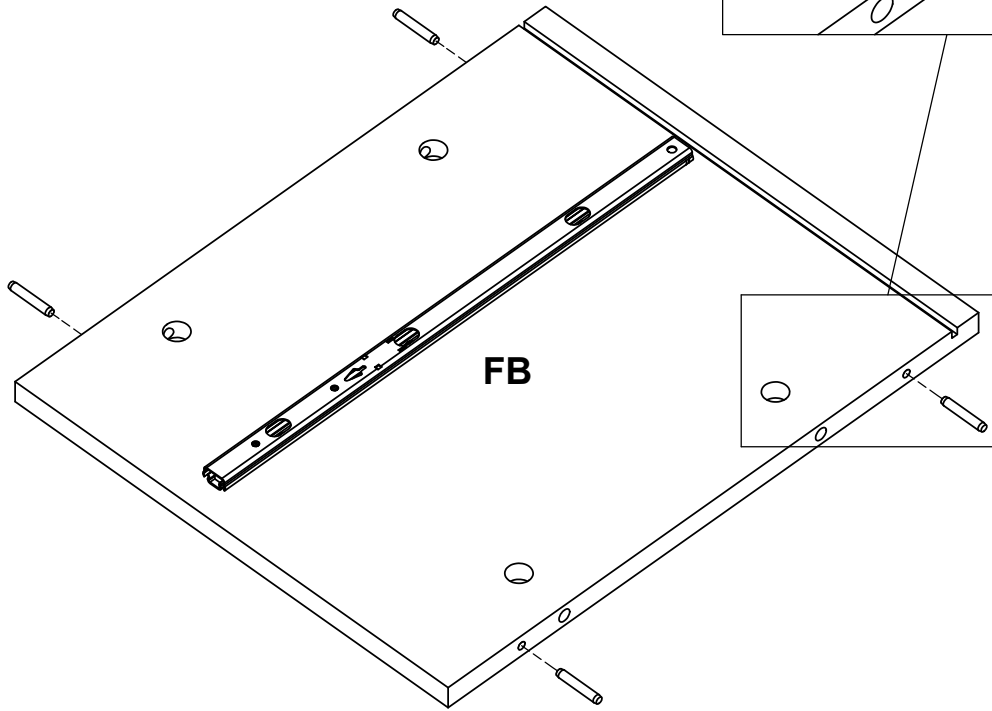
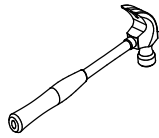
2

0120203

x4



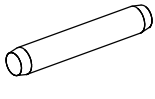
Ø0.2x1.18"
Ø5x30 mm



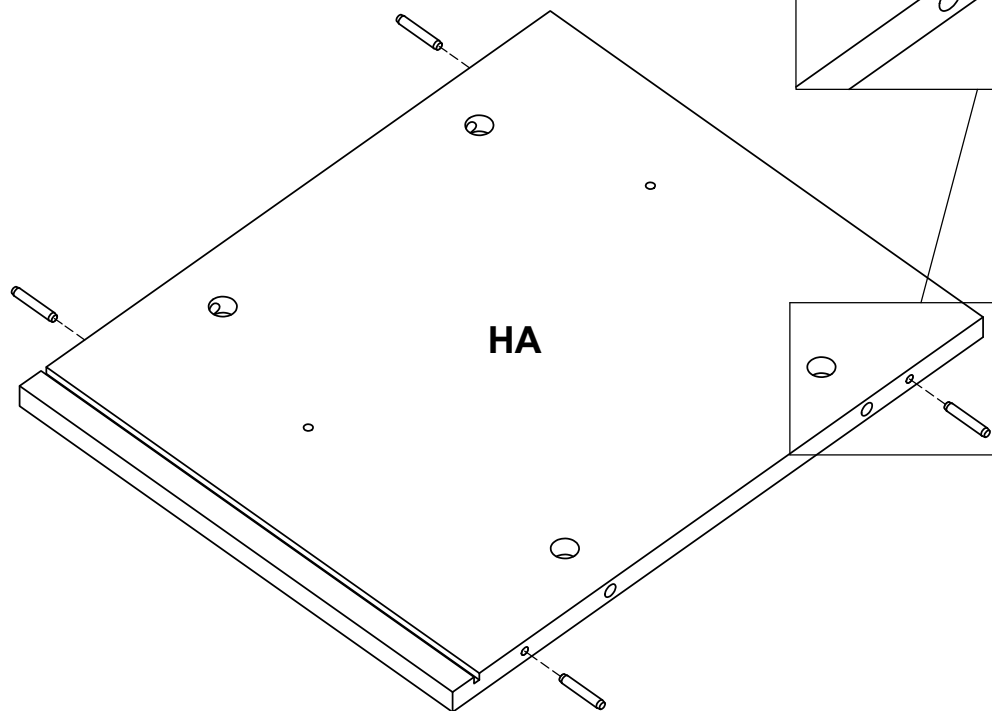
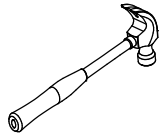
3

0120203

x4



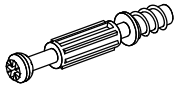
Ø0.2x1.18"
Ø5x30 mm



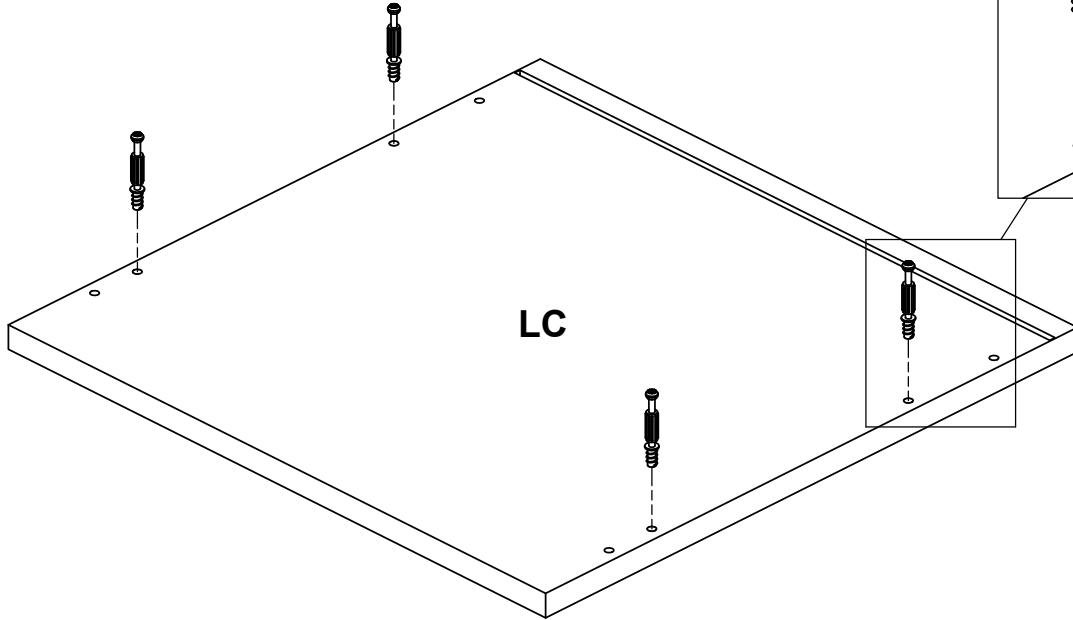
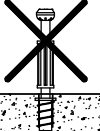
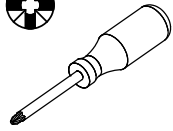
5

0131513

x4



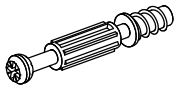
Ø0.30x1.73/1.34"
Ø7,5x44/34 mm



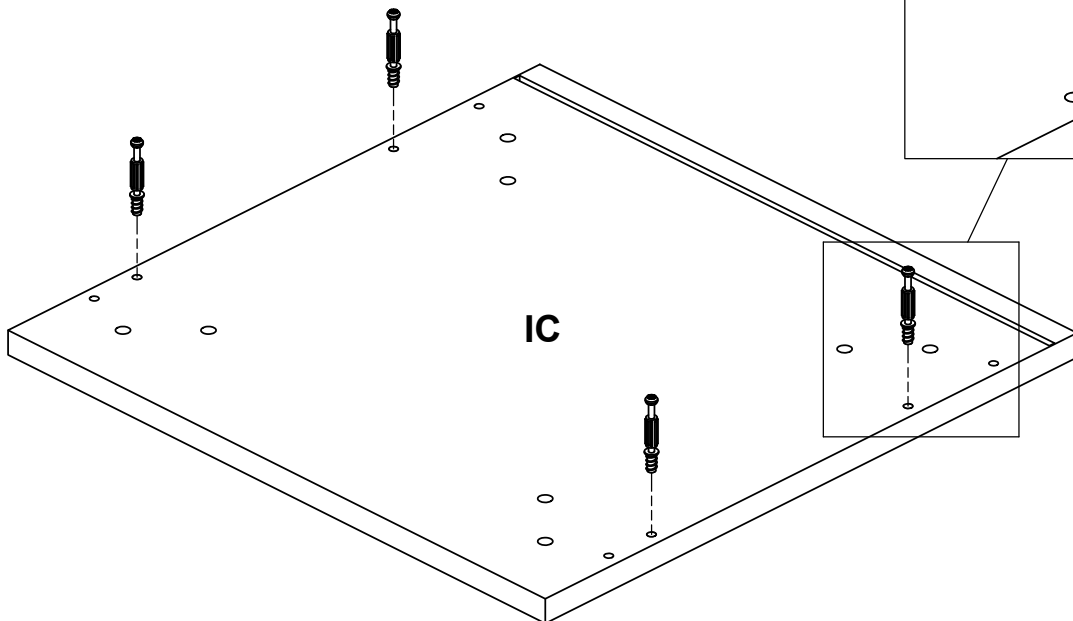
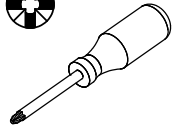
6

0131513

x4



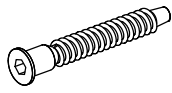
Ø0.30x1.73/1.34"
Ø7,5x44/34 mm



7

0125610

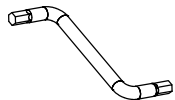
x8



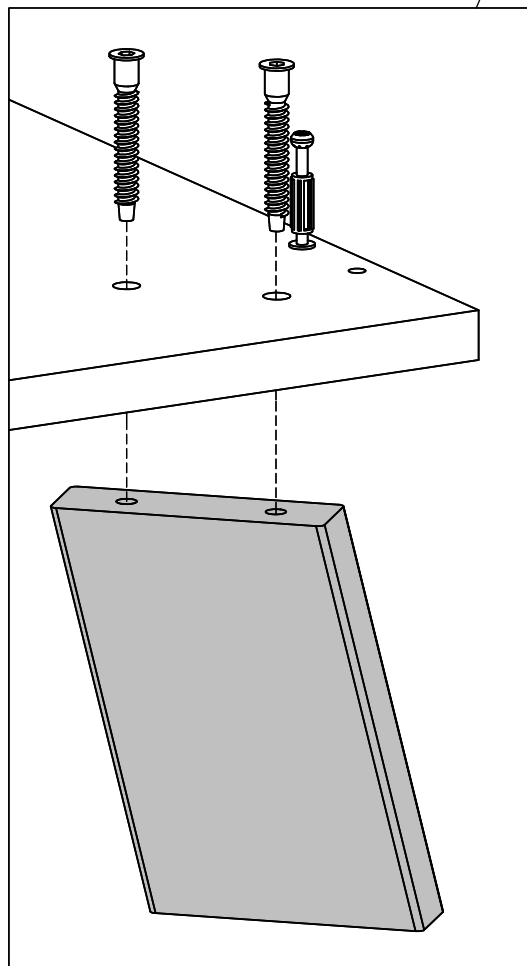
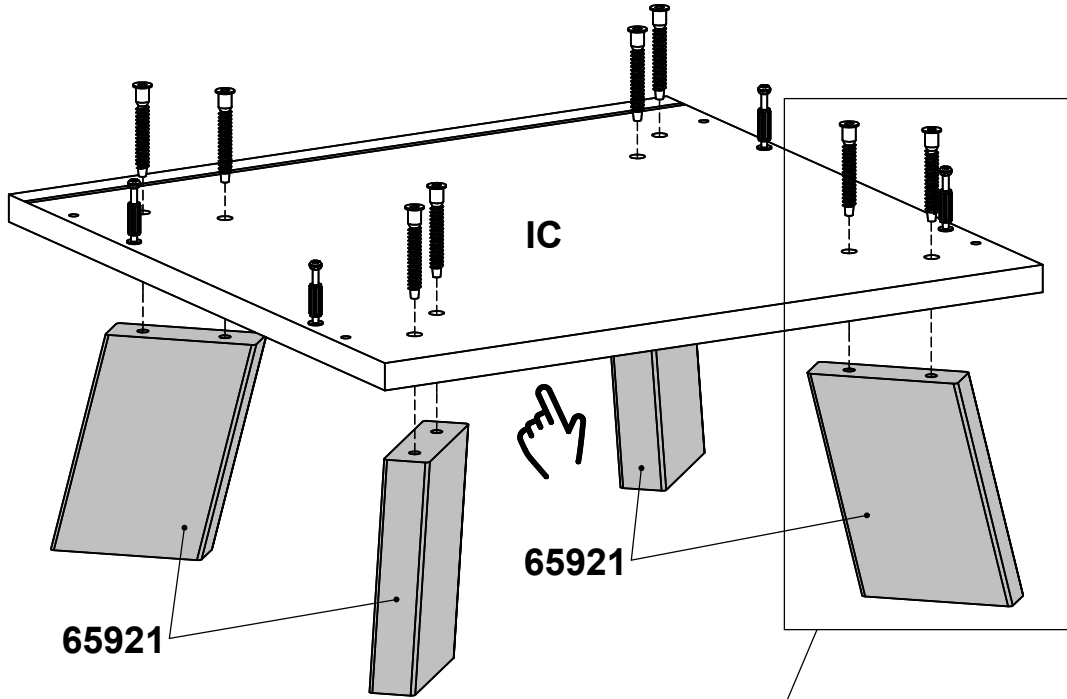
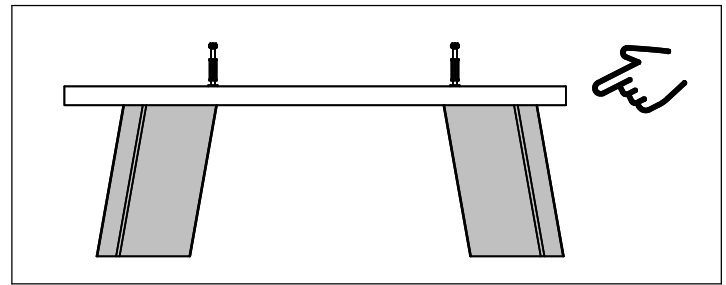
Ø0.28x1.97"
Ø7x50 mm

0197642

x1



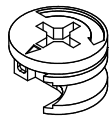
0.16x1.93x1.46"
4x49x37 mm



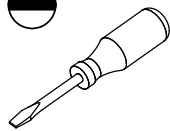
8

0131687

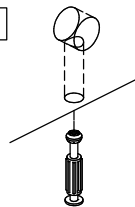
x4



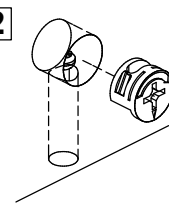
Ø0.59x0.37"
Ø15x9,5 mm



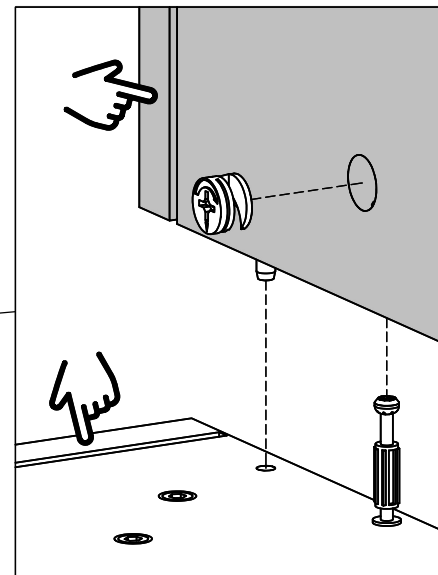
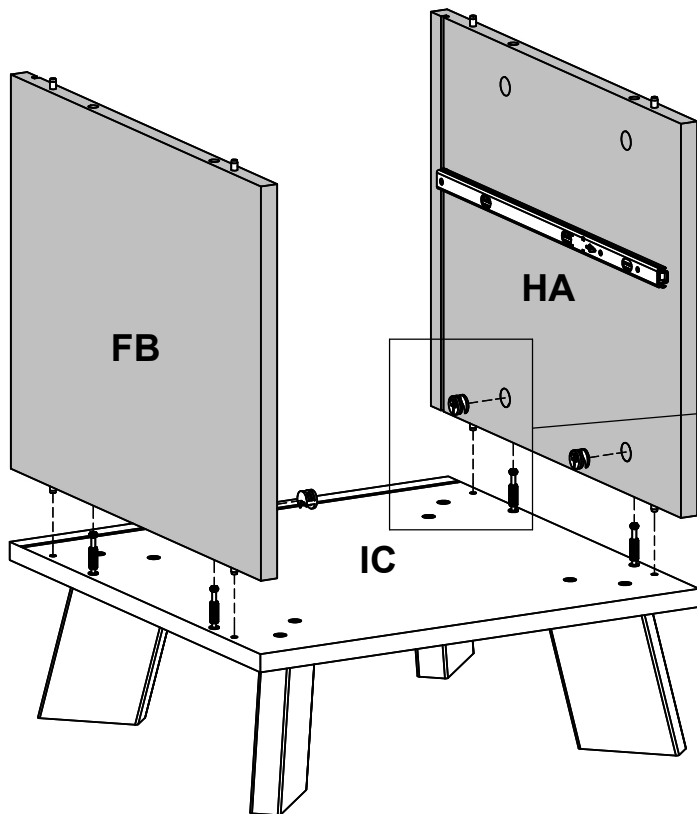
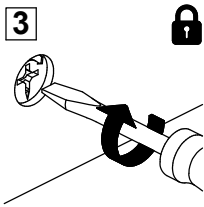
1



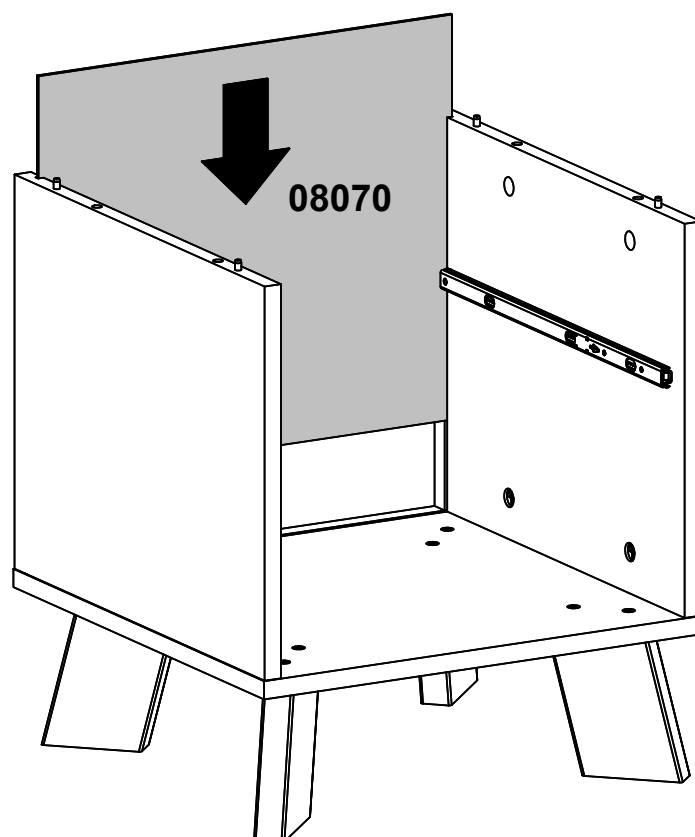
2



3



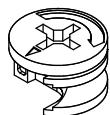
9



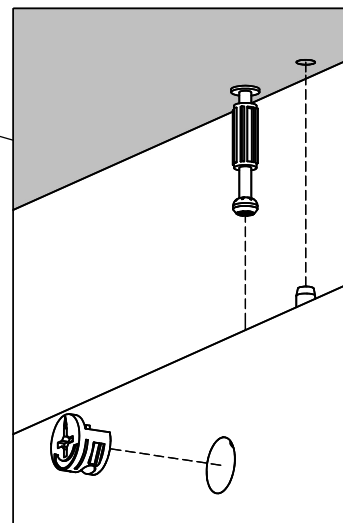
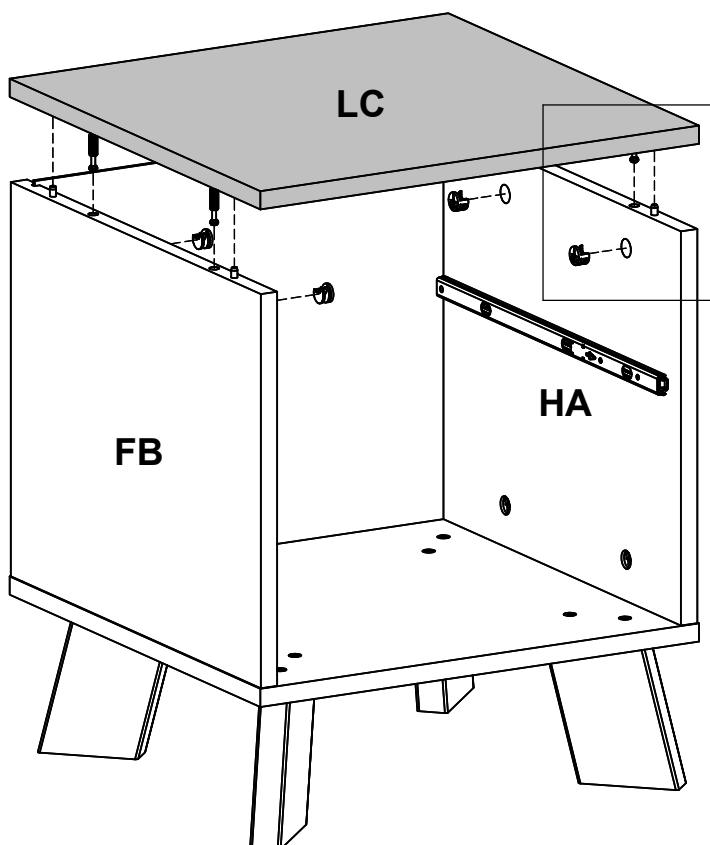
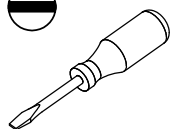
10

0131687

x4



Ø0.59x0.37"
Ø15x9,5 mm



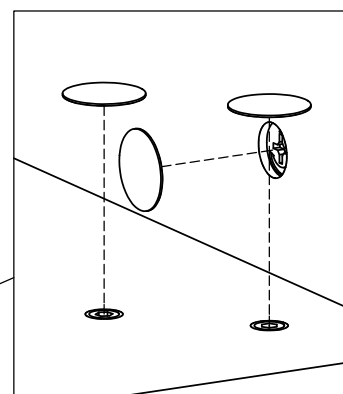
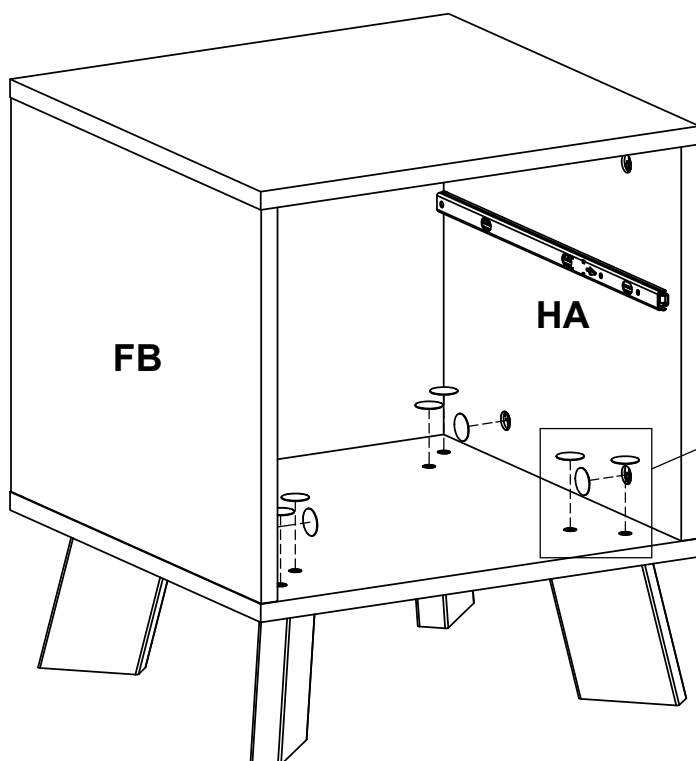
11

0110901

x12



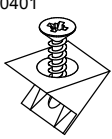
Ø0.87x0.02"
Ø22x0,5 mm



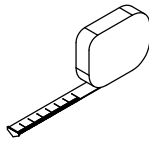
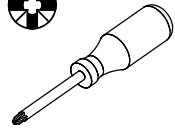
12

0110401

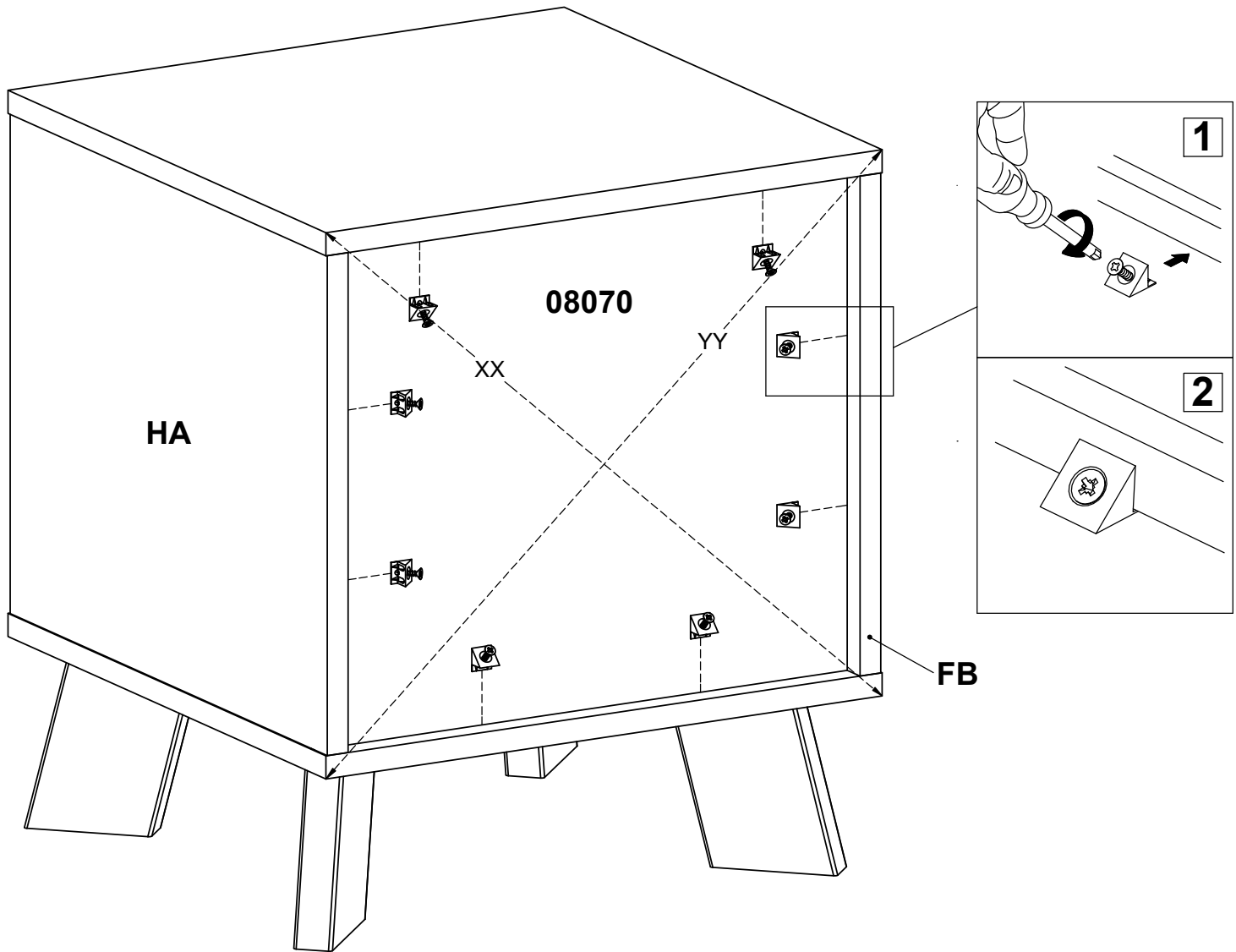
x8

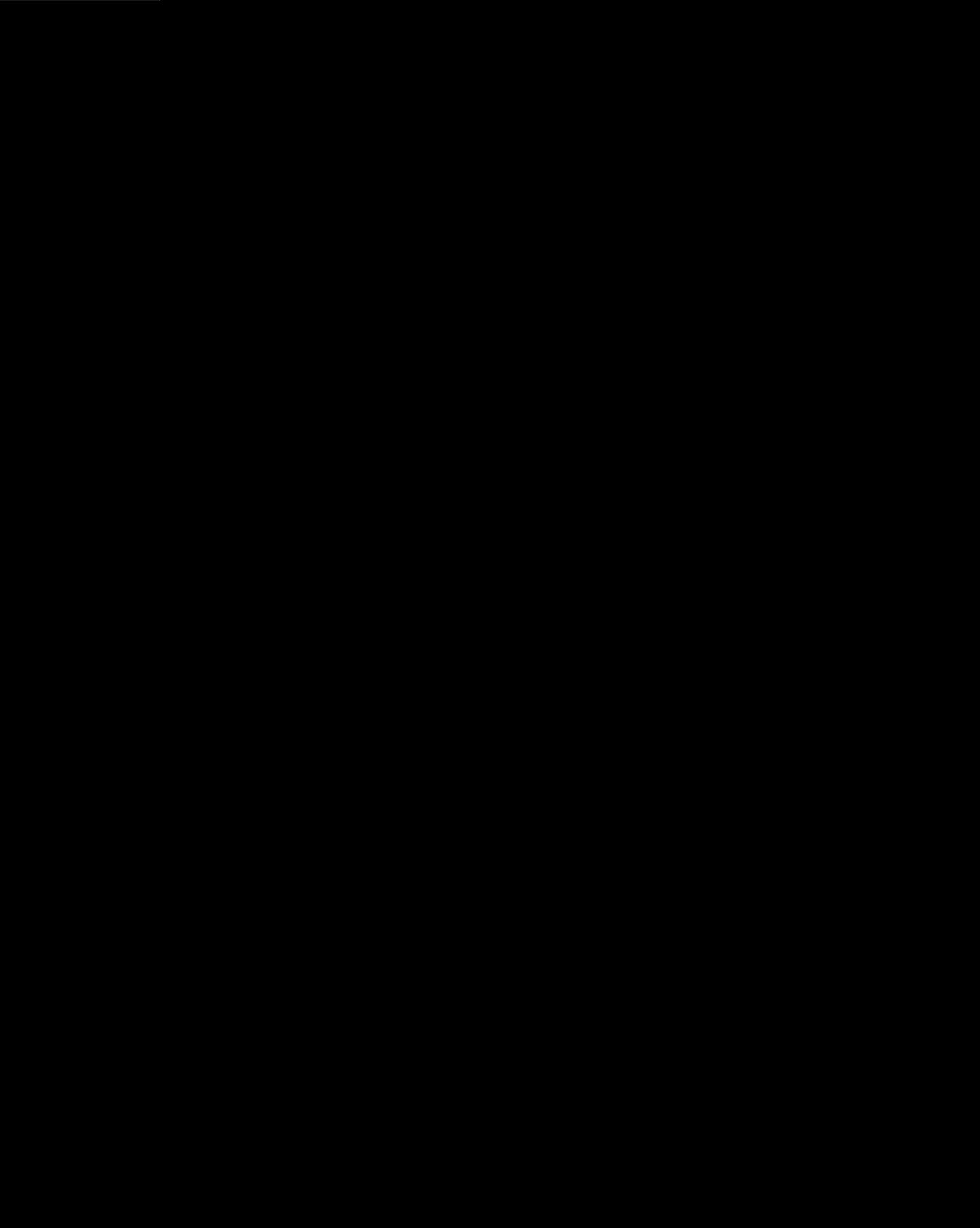


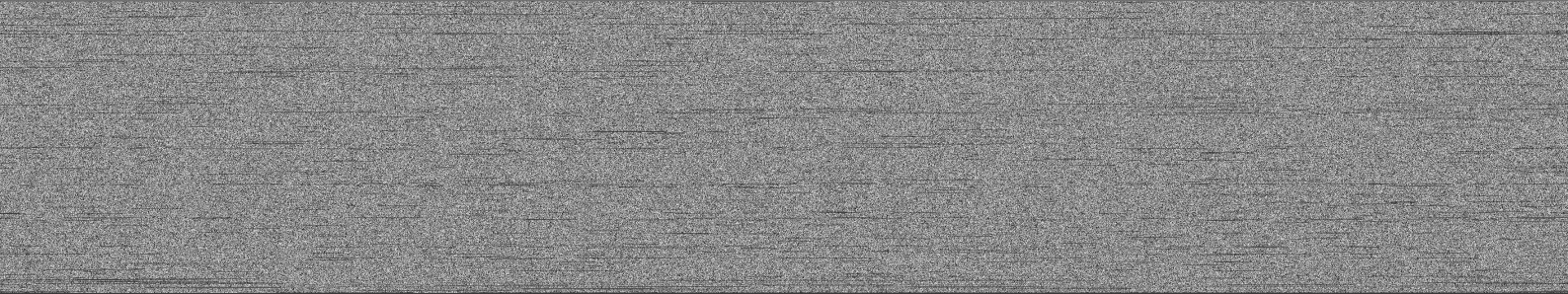
0.59x0.55x0.39"
15x14x10 mm



XX = YY



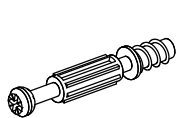




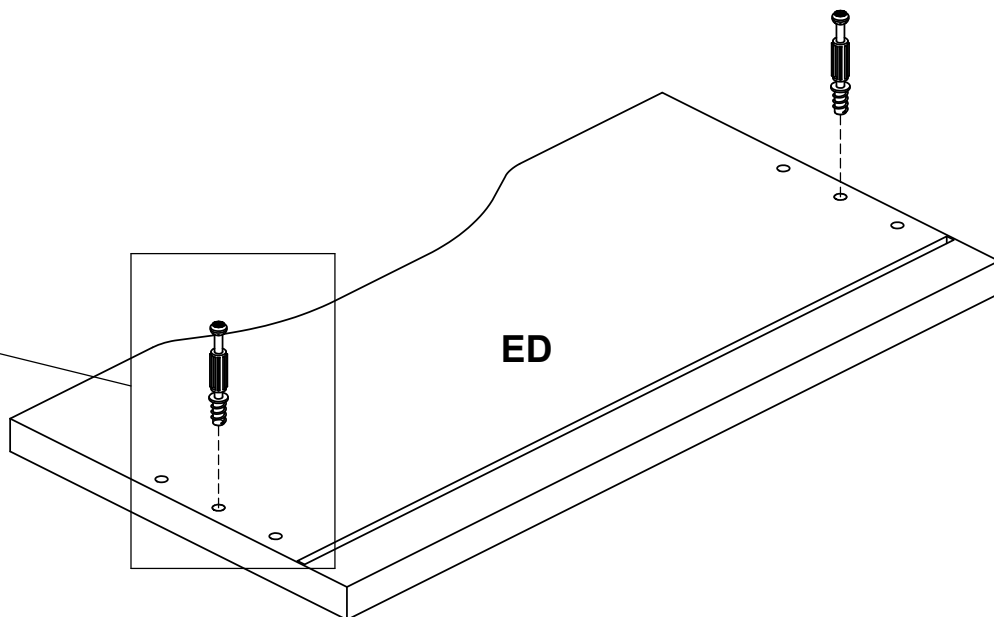
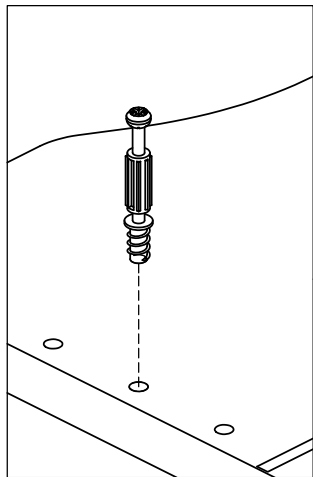
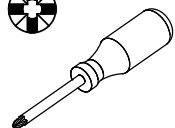
13

0131513

x2



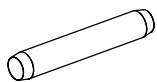
Ø0.30x1.73/1.34"
Ø7,5x44/34 mm



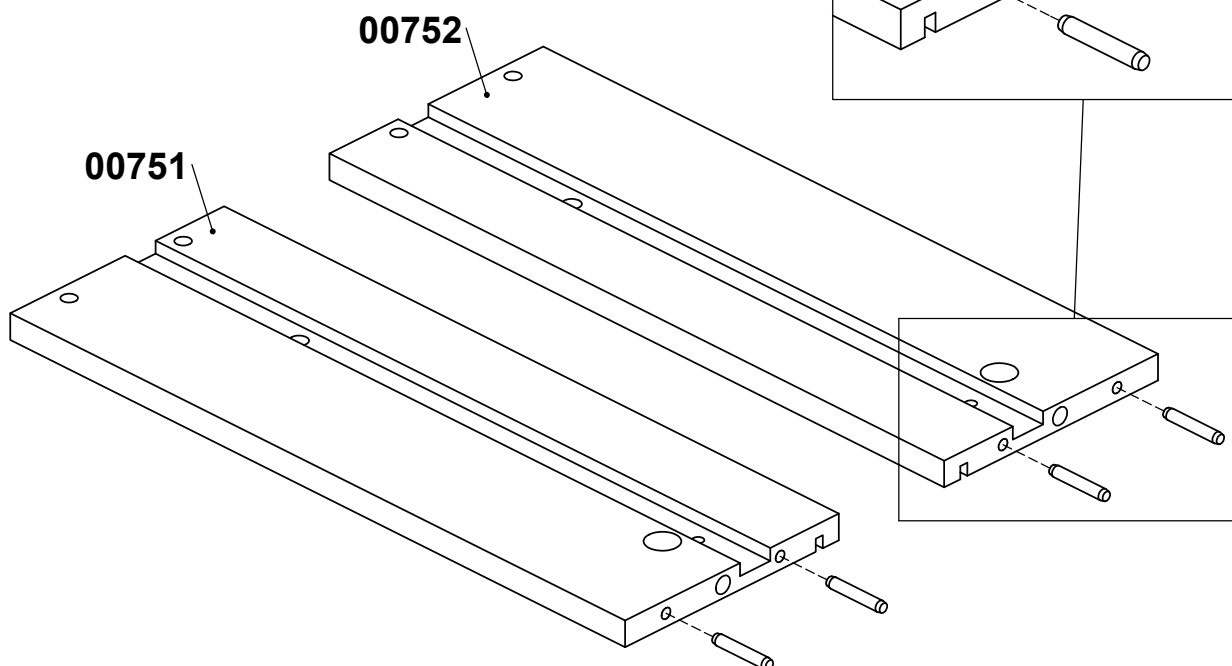
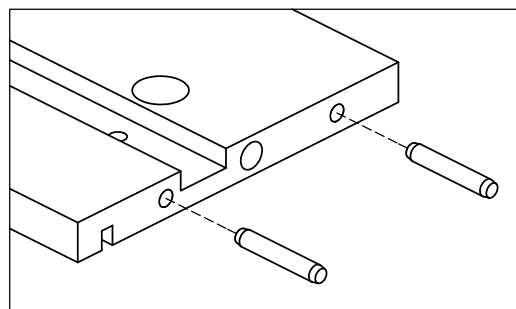
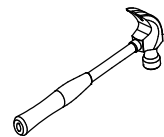
14

0120203

x4



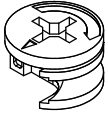
Ø0.2x1.18"
Ø5x30 mm



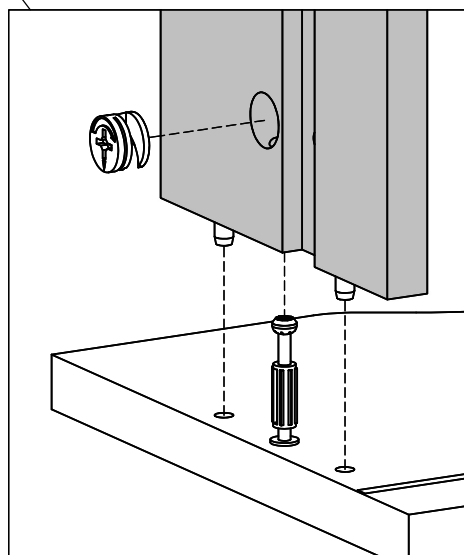
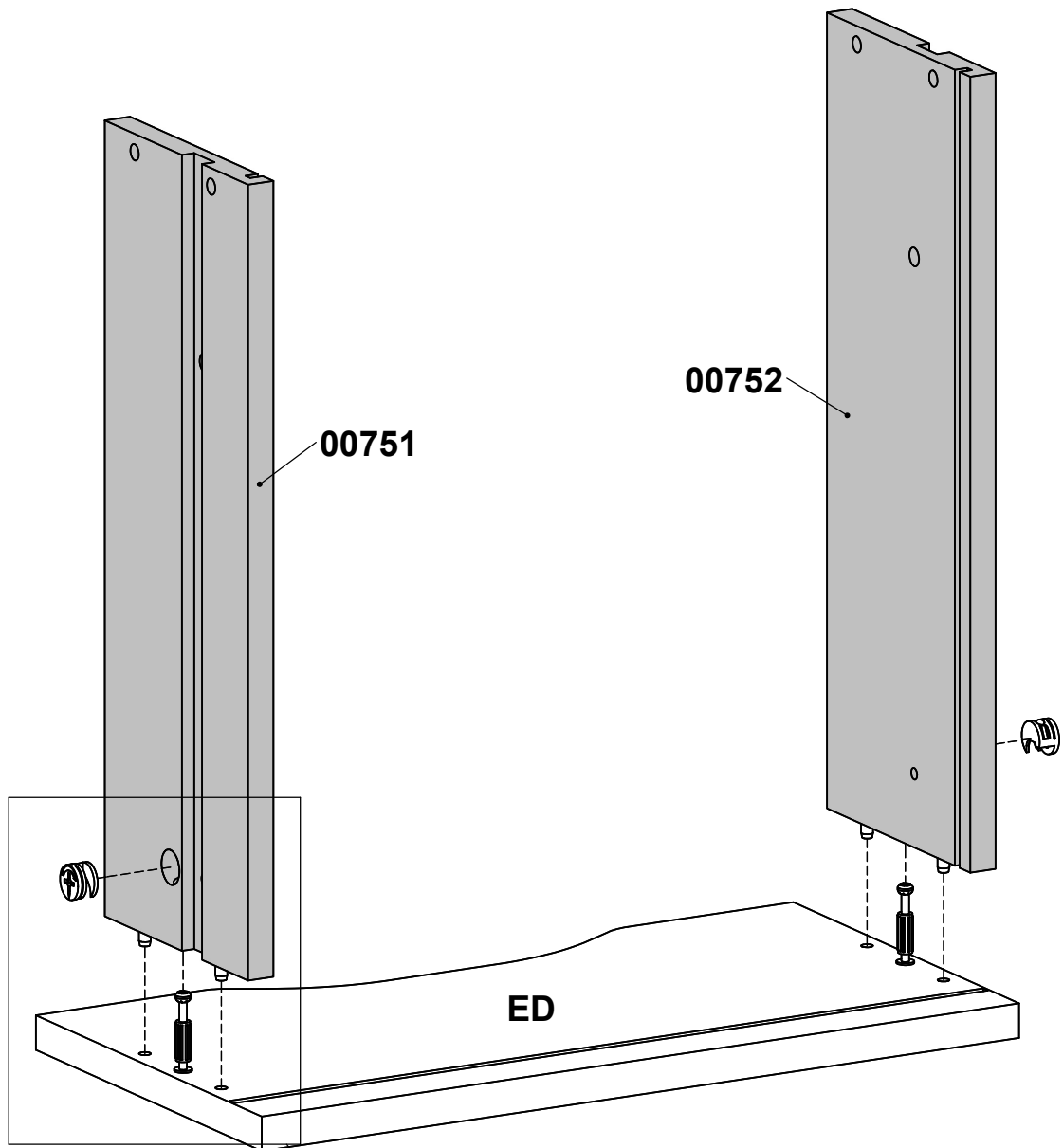
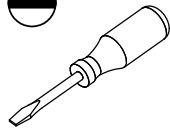
15

0131687

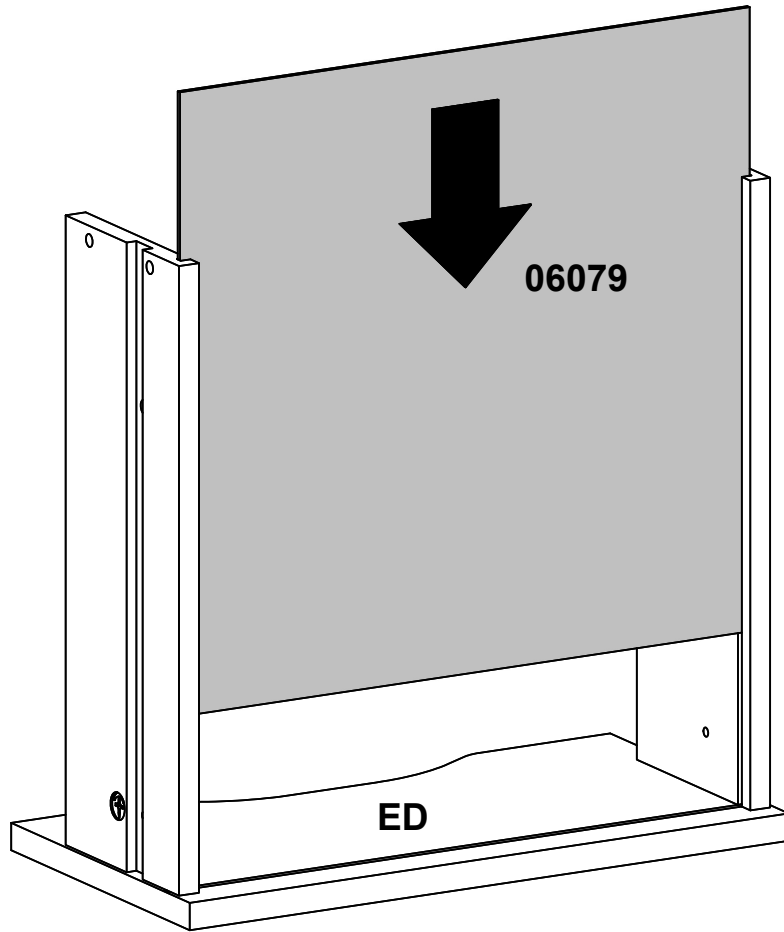
x2



Ø0.59x0.37"
Ø15x9,5 mm



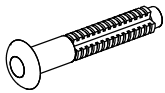
16



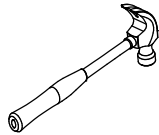
17

0120228

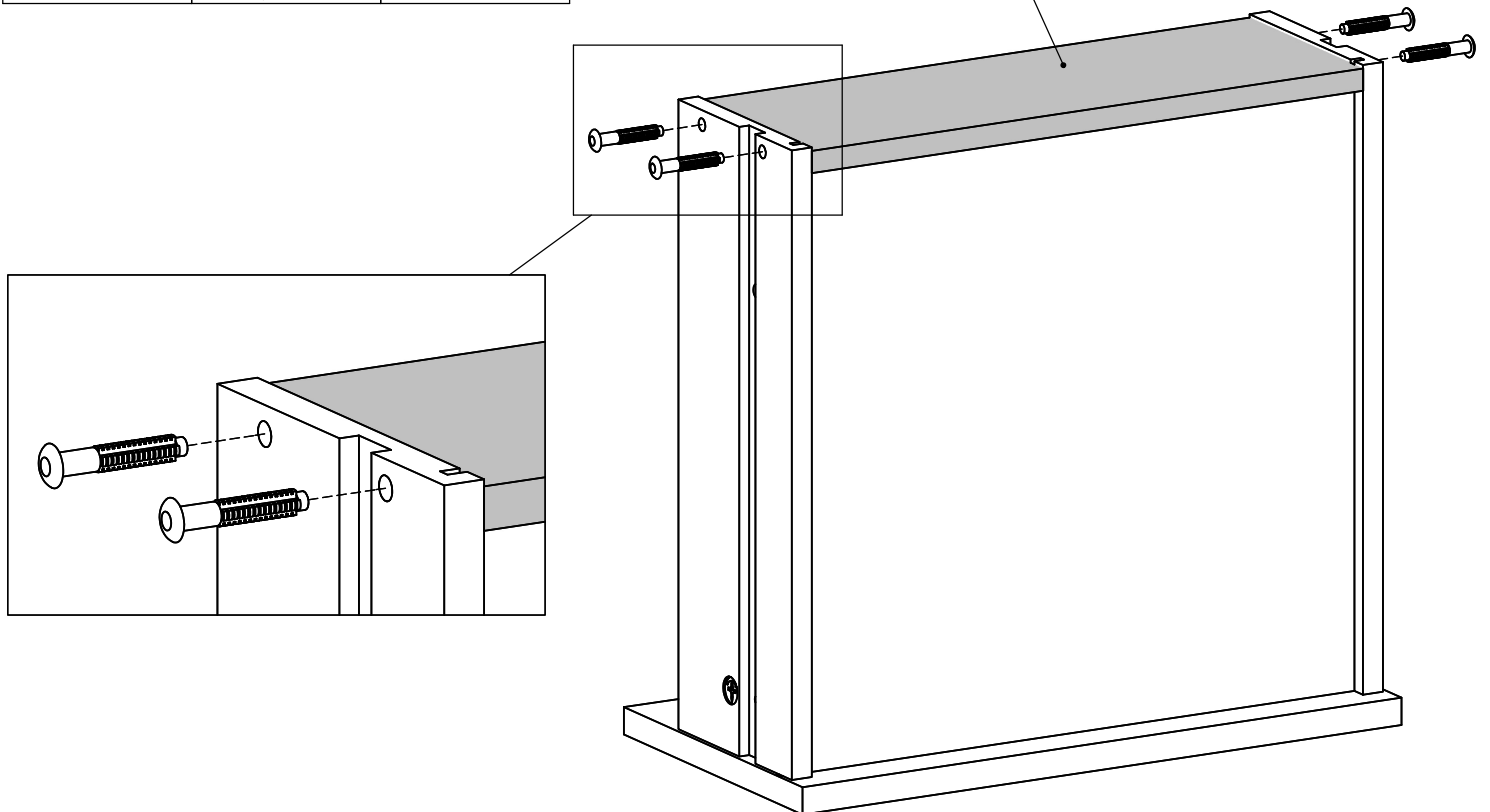
x4



Ø0.25x1.57"
Ø6.3x40 mm



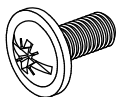
03314



18

0126214

x2



M4x0.35"
M4x9 mm

