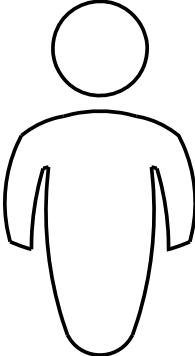
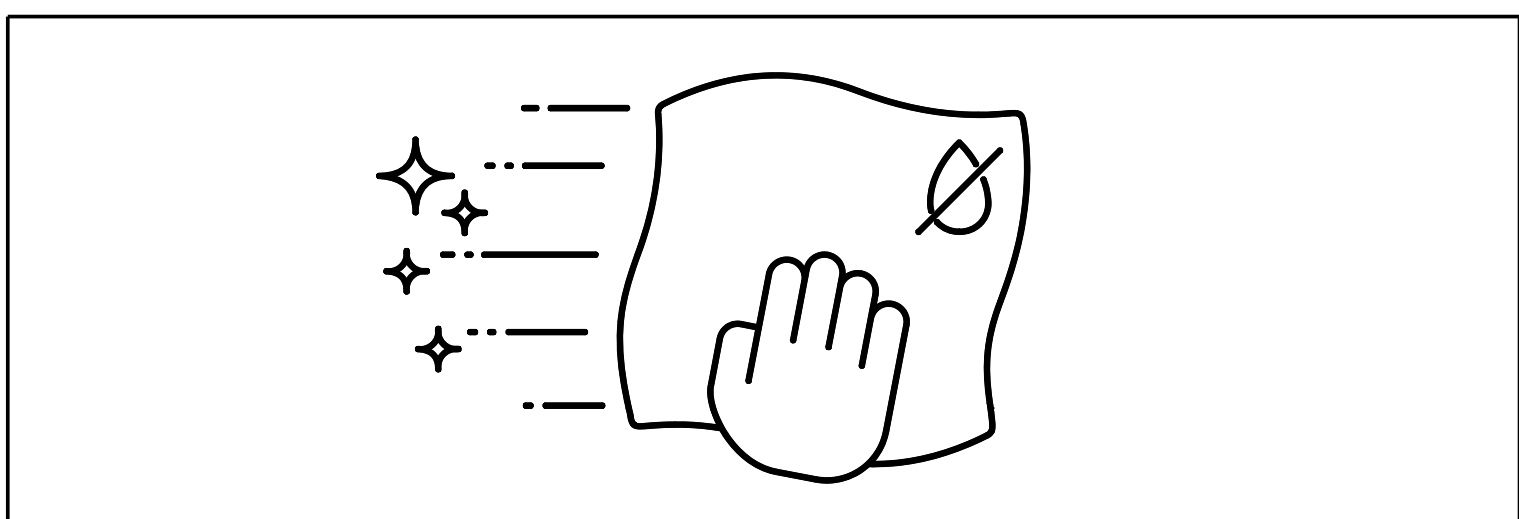
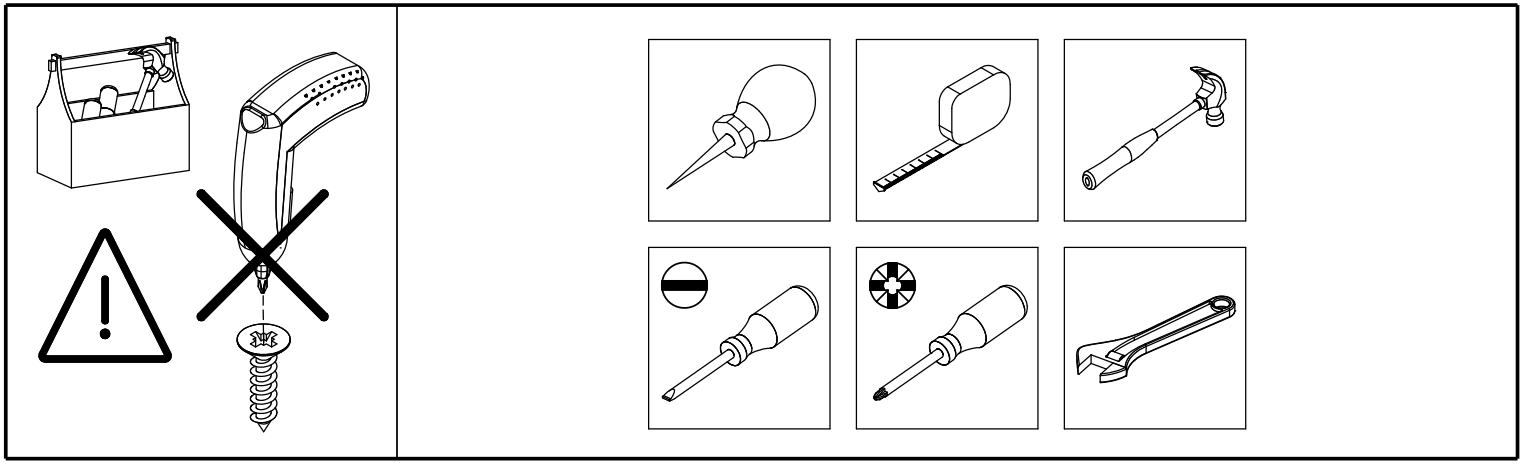
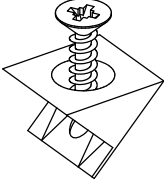
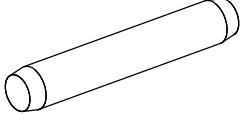
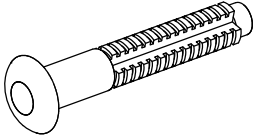
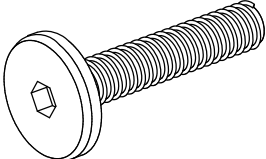
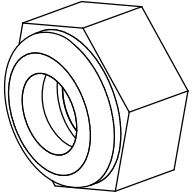
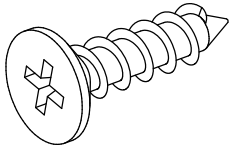
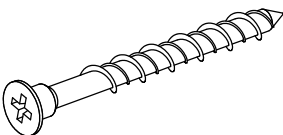
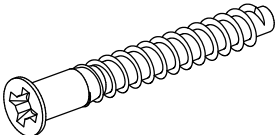
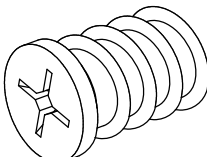
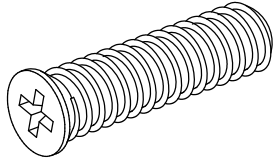
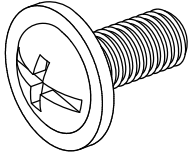
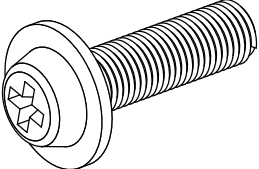
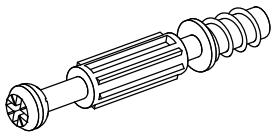
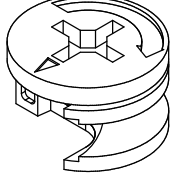
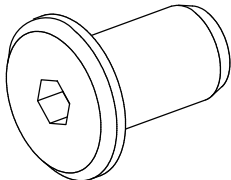
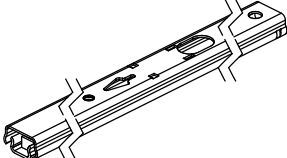
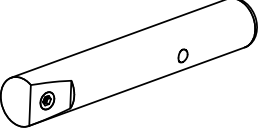
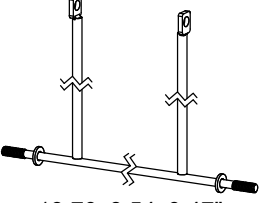
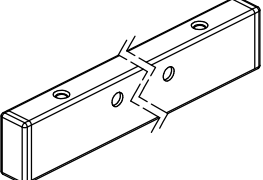
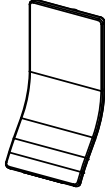
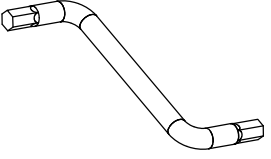
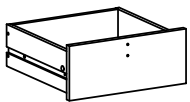
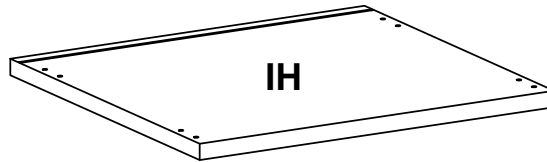
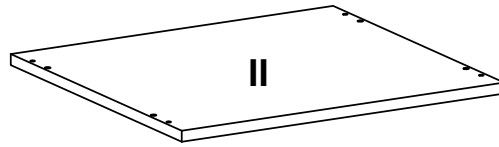
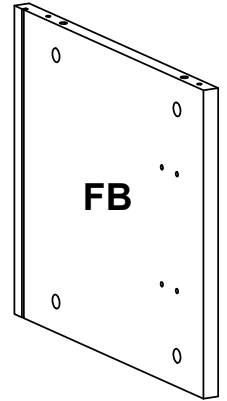
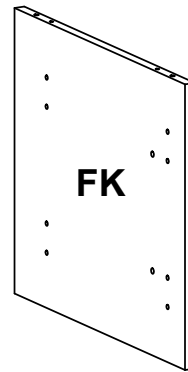
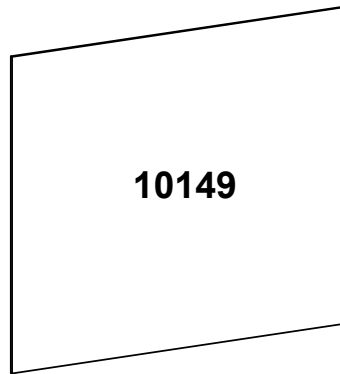
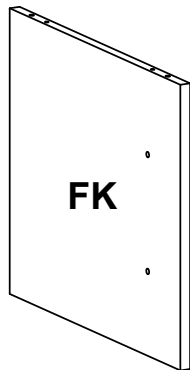
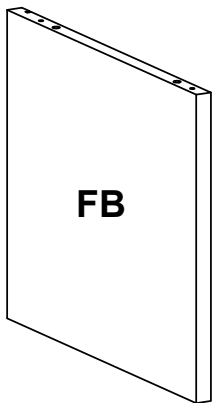
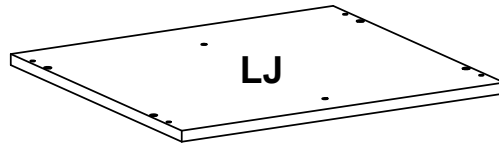
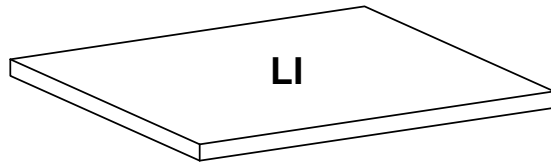
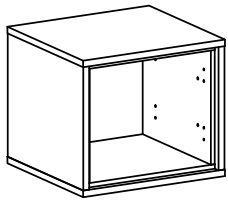
 2-3 hr

 x 1

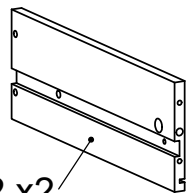




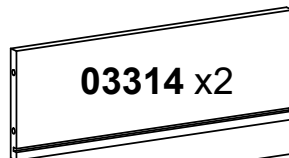
| | | | | |
|--|--|---|--|--|
| <p>0110401 x8</p>  <p>0.59x0.55x0.39" 15x14x10 mm</p> | <p>0120203 x24</p>  <p>Ø0.2x1.18" Ø5x30 mm</p> | <p>0120228 x8</p>  <p>Ø0.25x1.57" Ø6,3x40 mm</p> | <p>0120609 x6</p>  <p>M6x1.18" M6x30 mm</p> | <p>0121203 x2</p>  <p>M6/0.39x0.24" M6/10x6 mm</p> |
| <p>0125215 x8</p>  <p>Ø0.12x0.47" Ø3x12 mm</p> | <p>0125288 x4</p>  <p>Ø0.18x1.77" Ø4,5x45 mm</p> | <p>0125604 x8</p>  <p>Ø0.2x1.5" Ø5x38 mm</p> | <p>0126020 x8</p>  <p>Ø0.23x0.35" Ø5,8x9 mm</p> | <p>0126096 x6</p>  <p>Ø0.23x0.87" Ø5,8x22 mm</p> |
| <p>0126214 x4</p>  <p>M4x0.35" M4x9 mm</p> | <p>0126297 x4</p>  <p>M3x0.47" M3x12 mm</p> | <p>0131513 x12</p>  <p>Ø0.30x1.73/1.34" Ø7,5x44/34 mm</p> | <p>0131687 x12</p>  <p>Ø0.59x0.37" Ø15x9,5 mm</p> | <p>0132810 x4</p>  <p>Ø0.59/Ø0.35x0.67/0.59" Ø15/Ø9x17/15 mm</p> |
| <p>0141407 x4</p>  <p>0.67x12.13/13.78" 17x308/350 mm</p> | <p>0166827 x4</p>  <p>Ø1.34x8.66" Ø34x220 mm</p> | <p>0166833 x2</p>  <p>13.70x8.54x0.47" 348x217x12 mm</p> | <p>0166834 x2</p>  <p>15.47x1.28x0.59" 393x30x15 mm</p> | <p>0180113 x2</p>  <p>1.38x2.83x1.22" 35x72x31 mm</p> |
| <p>0197642 x1</p>  <p>0.16x1.93x1.46" 4x49x37 mm</p> | | | | |



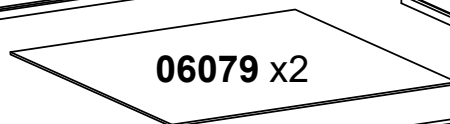
x2



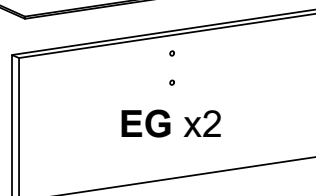
00752 x2



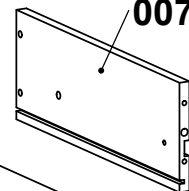
03314 x2



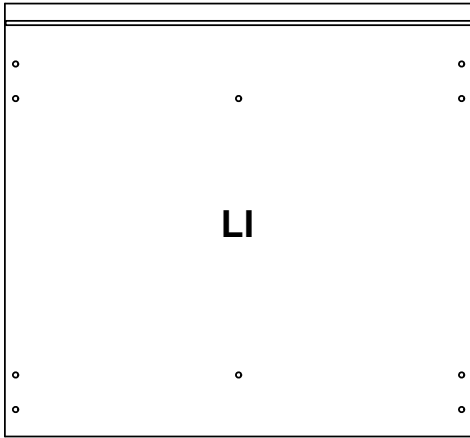
06079 x2



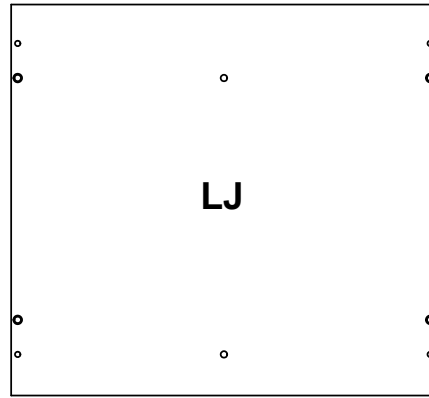
EG x2



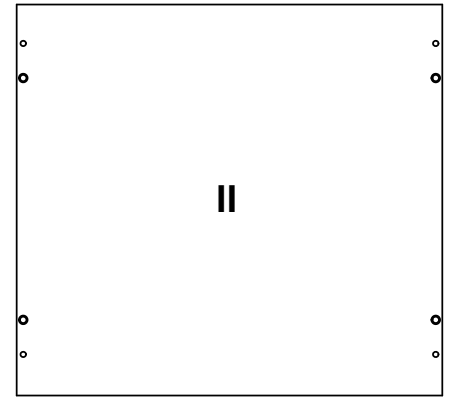
00751 x2



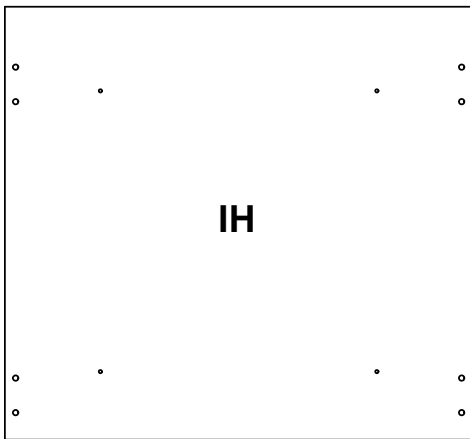
433x401x18mm



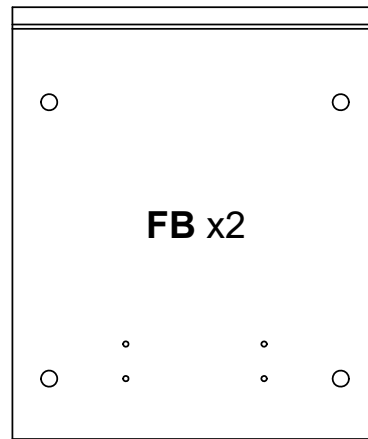
394x362x12mm



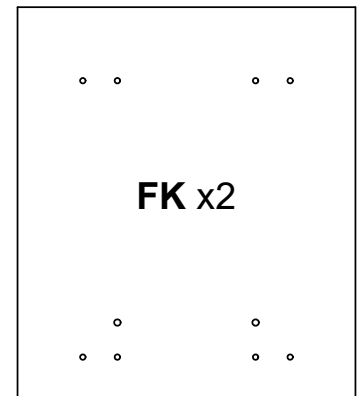
394x362x12mm



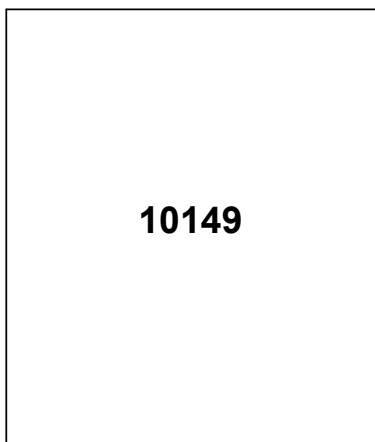
433x401x18mm



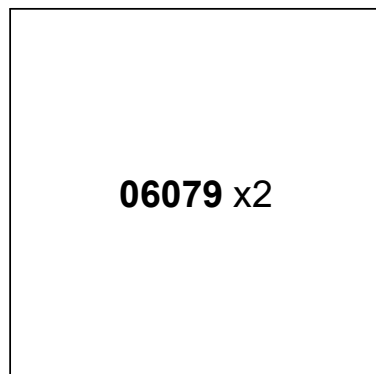
338x400x18mm



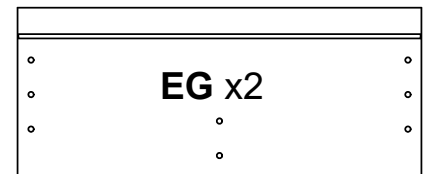
313x361x12mm



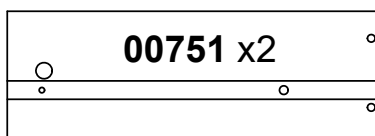
347x404x2,5mm



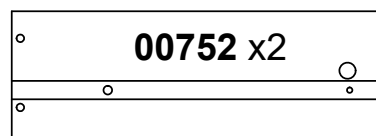
348x342x2,5mm



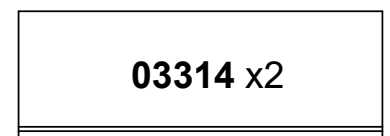
374x157x15mm



345x120x12,2mm



345x120x12,2mm

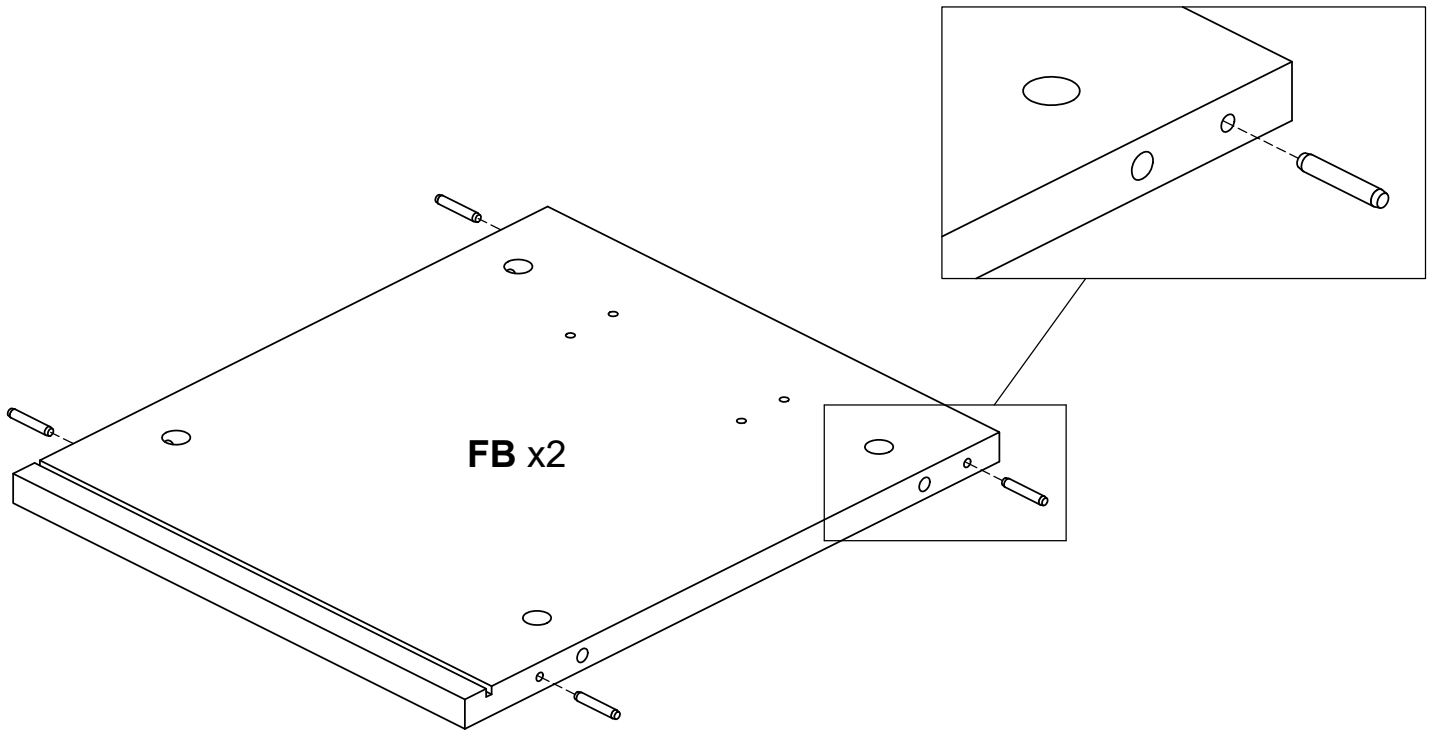


337x120x12,2mm

1

0120203 **x8**

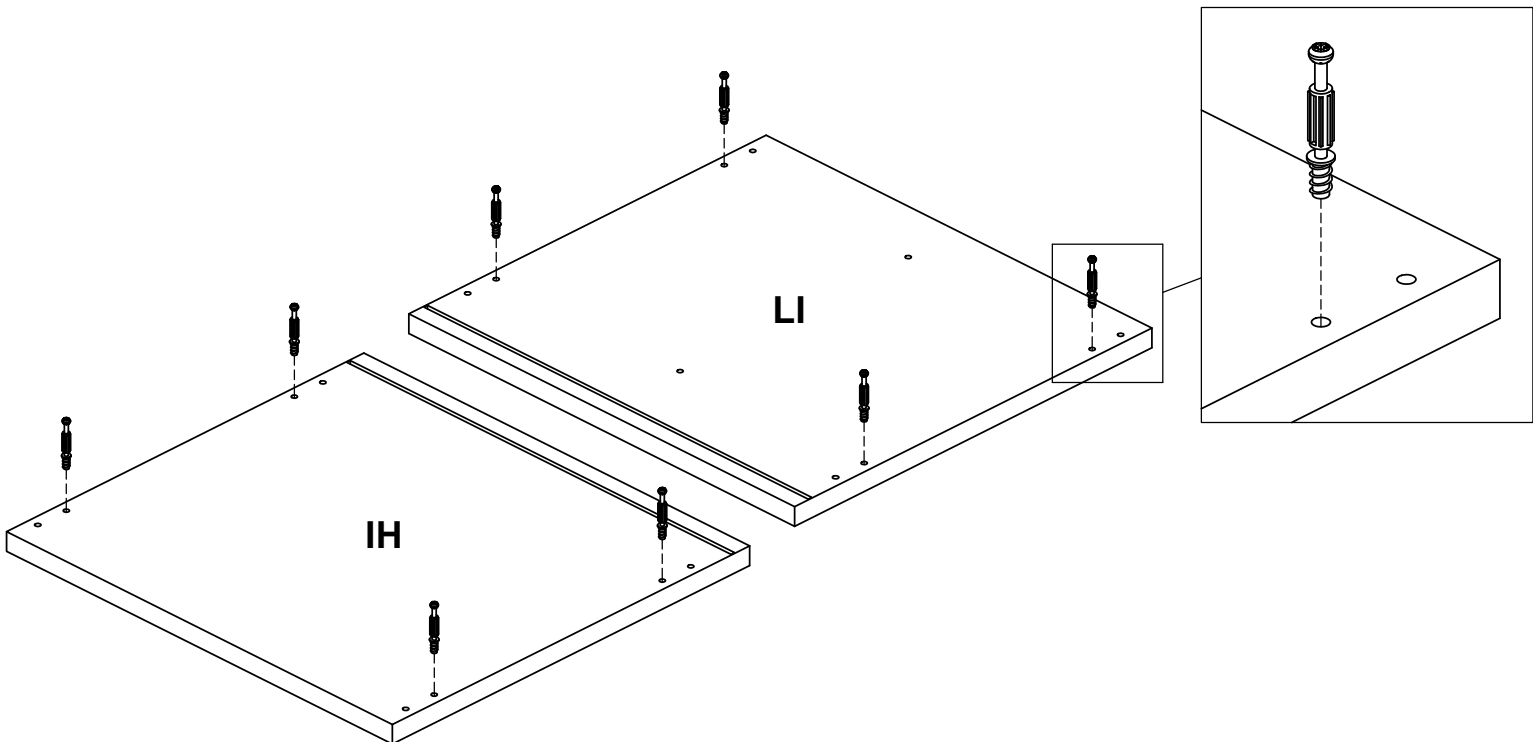
Ø0.2x1.18"
Ø5x30 mm



2

0131513 **x8**

Ø0.30x1.73/1.34"
Ø7.5x44/34 mm



3

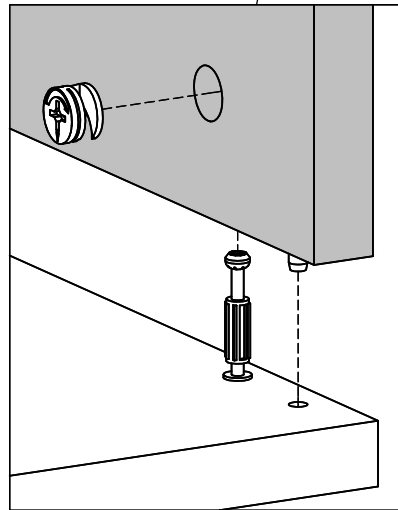
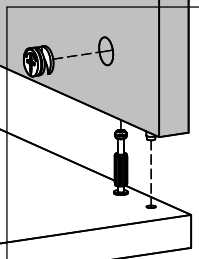
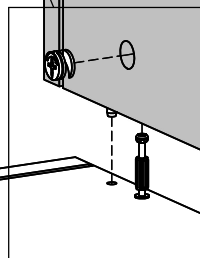
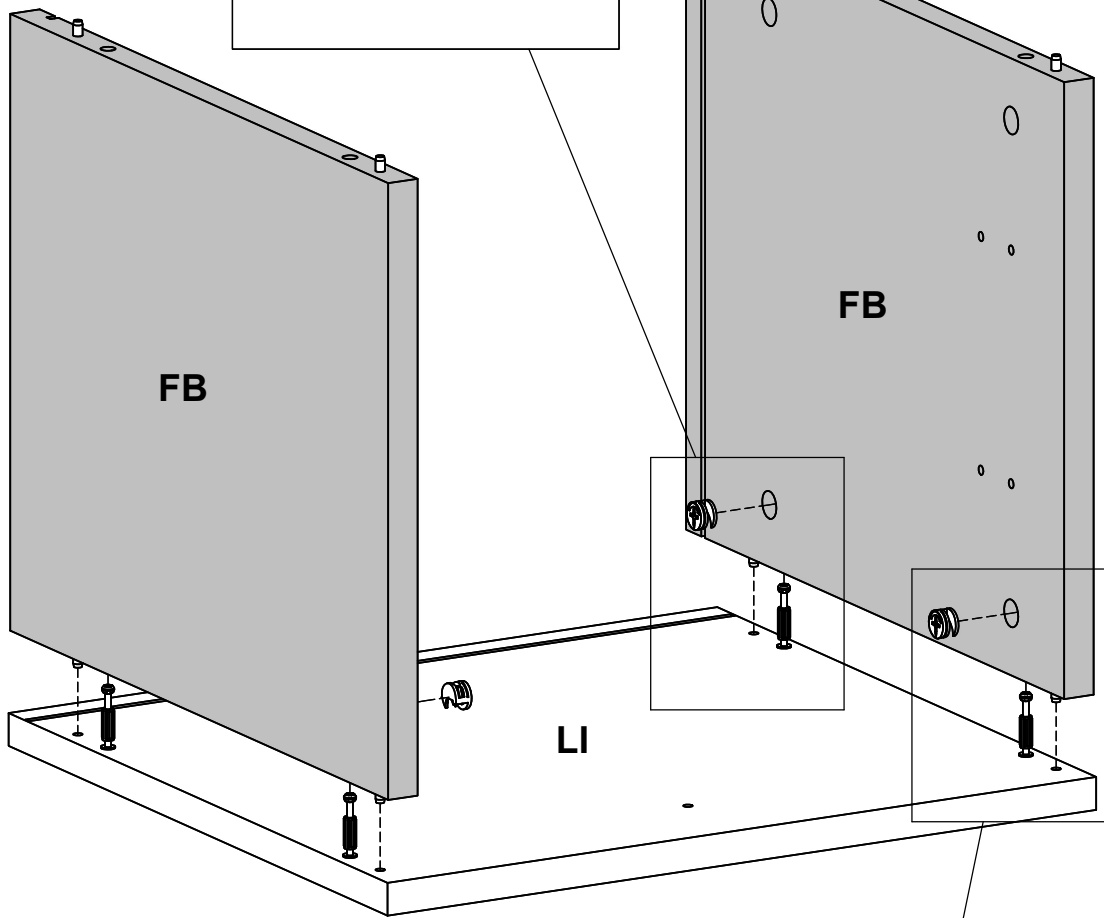
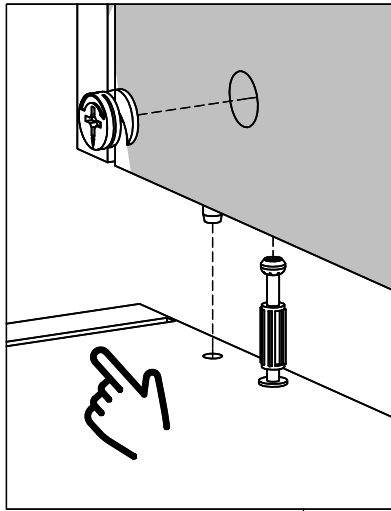
0131687 **x4**

Ø0.59x0.37"
Ø15x9,5 mm

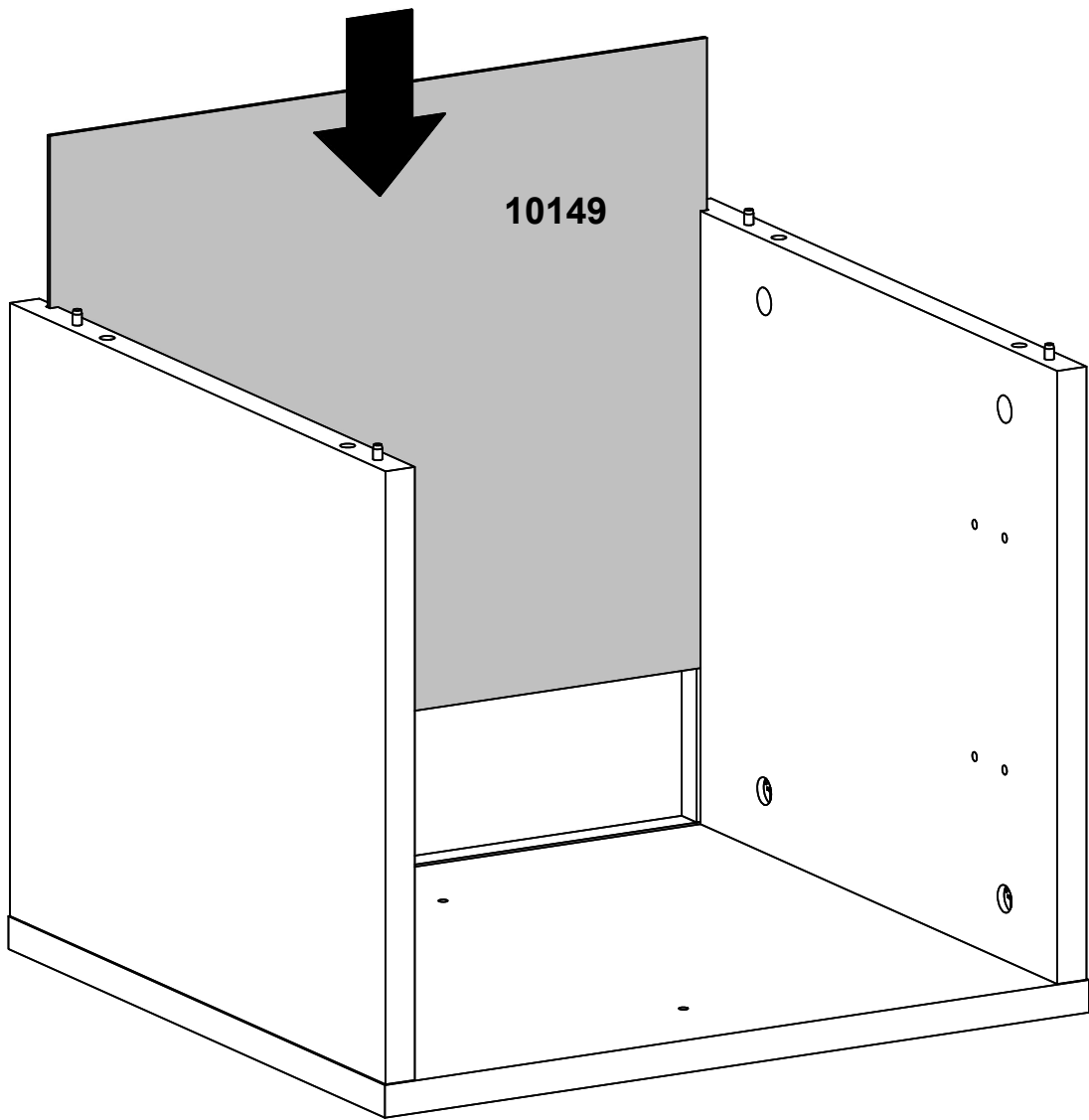
1

2

3



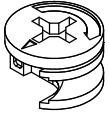
4



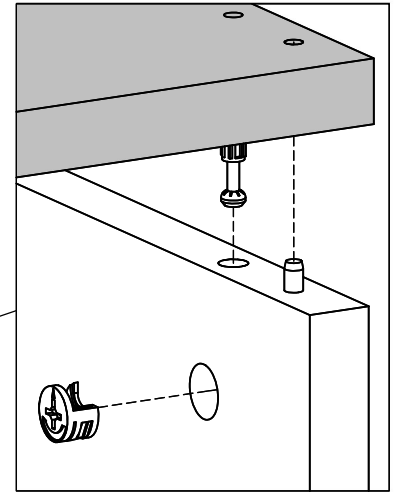
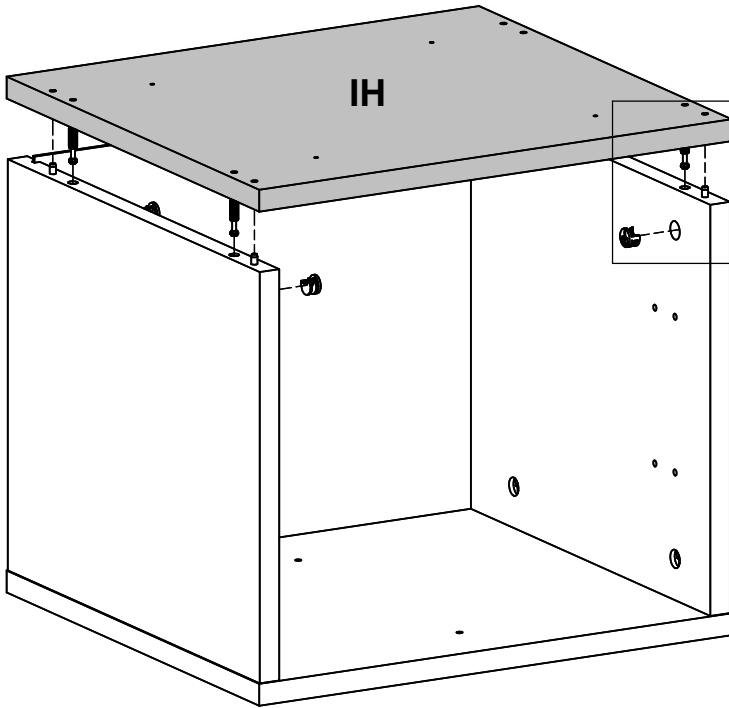
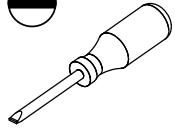
5

0131687

x4



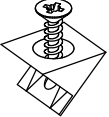
Ø0.59x0.37"
Ø15x9,5 mm



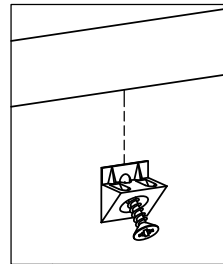
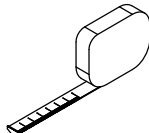
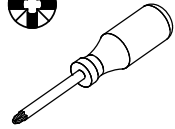
6

0110401

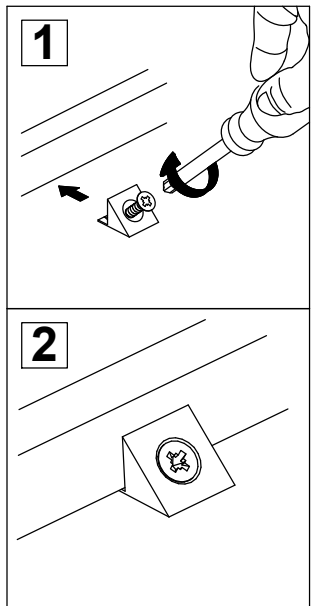
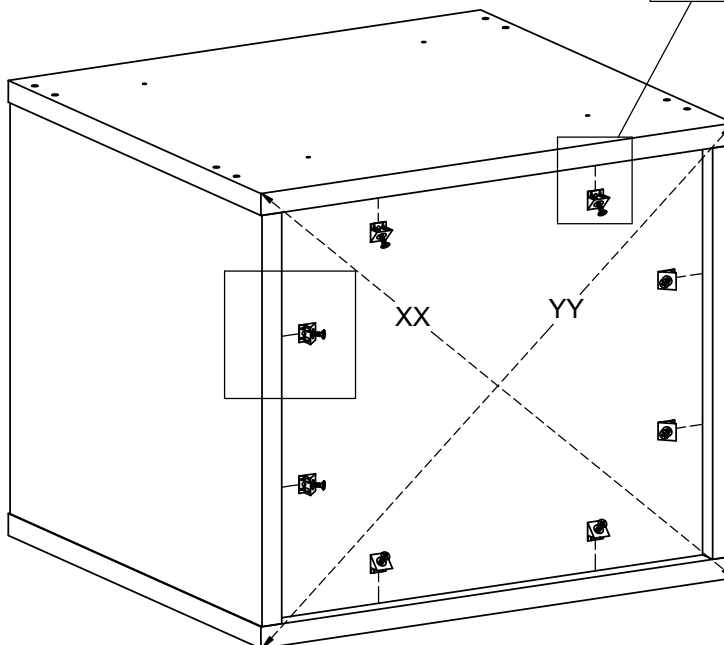
x8



0.59x0.55x0.39"
15x14x10 mm



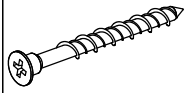
XX = YY



7

0125288

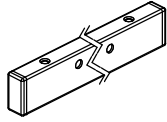
x4



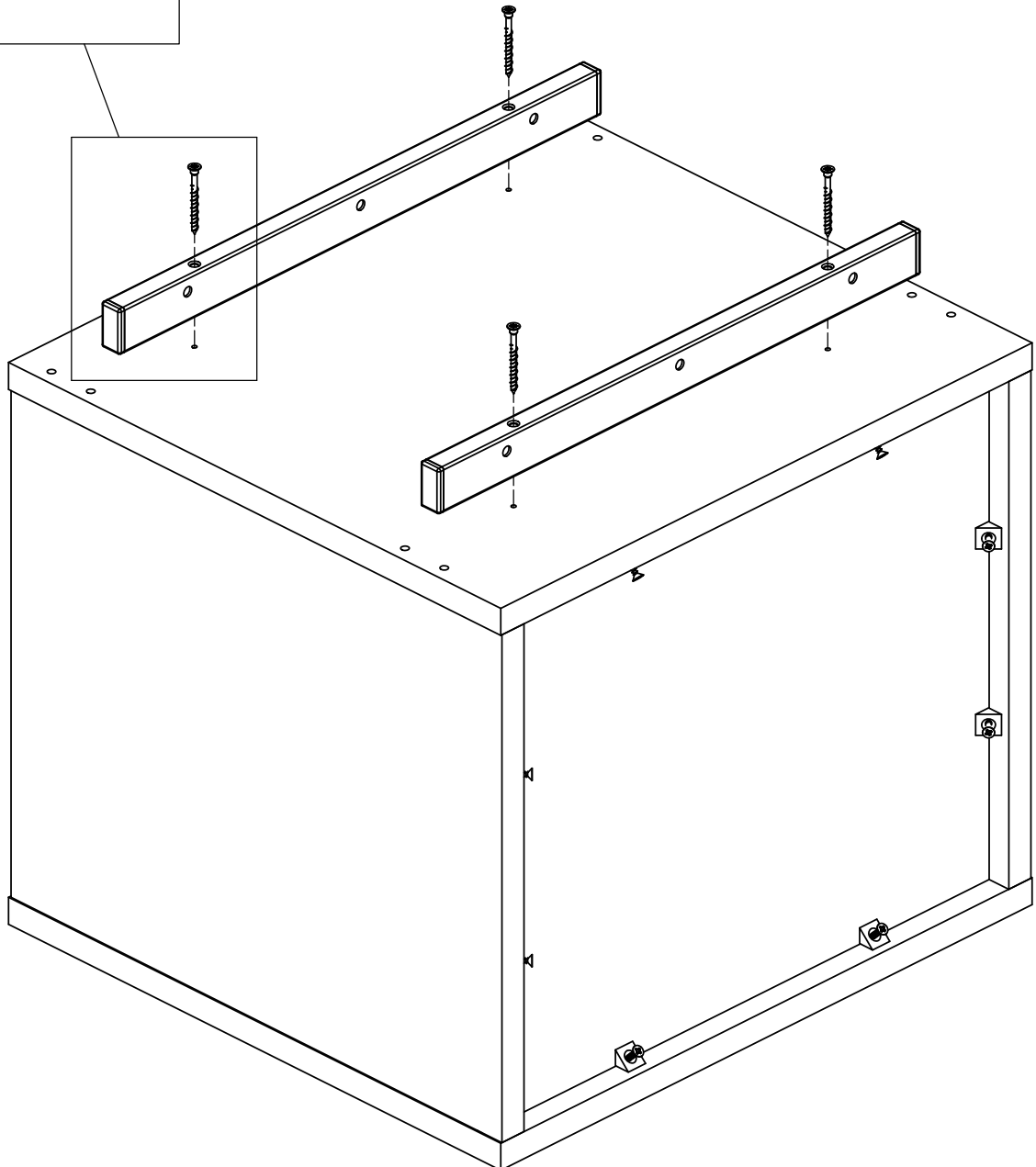
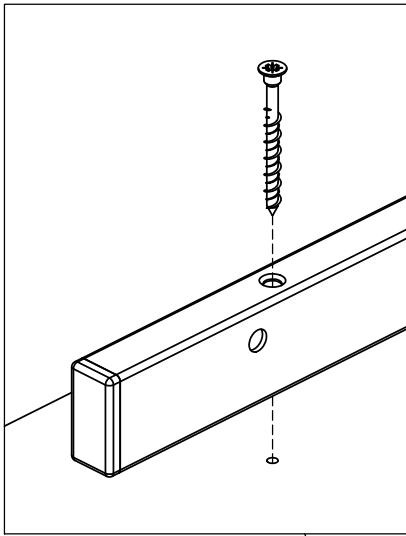
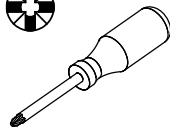
Ø0.18x1.77"
Ø4,5x45 mm

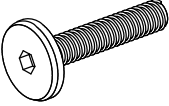
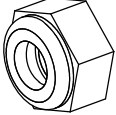
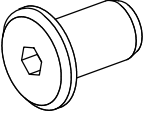
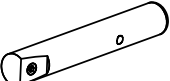
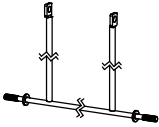
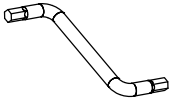
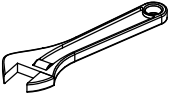
0166834

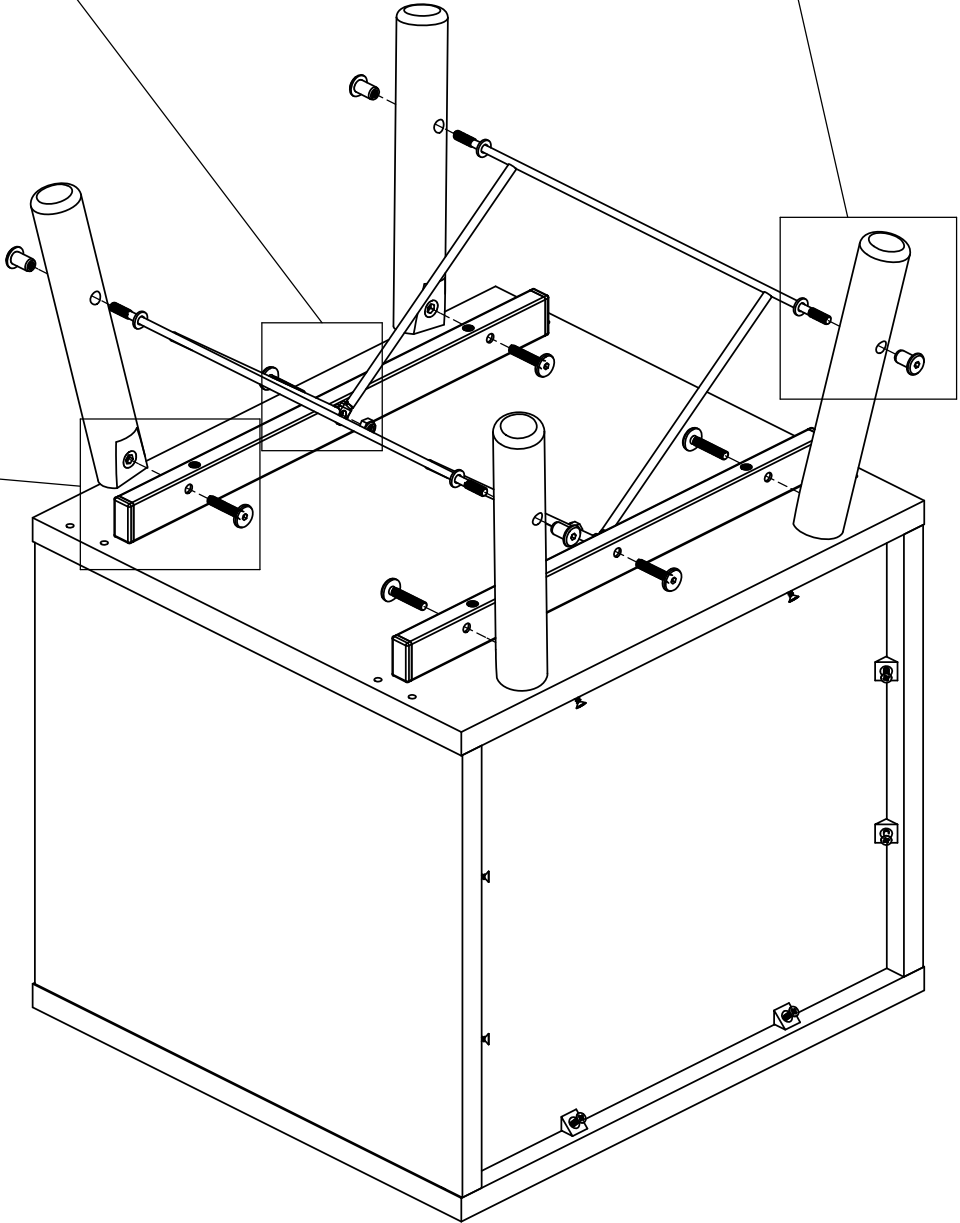
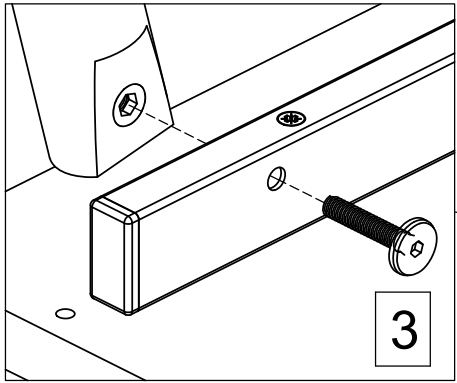
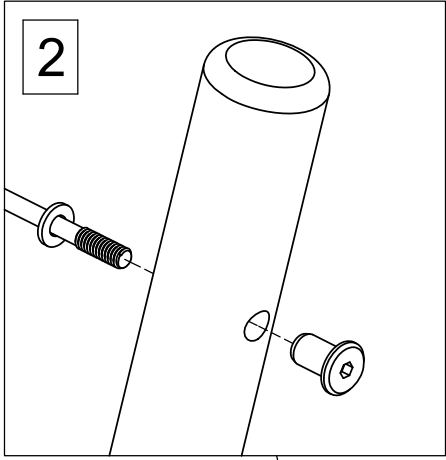
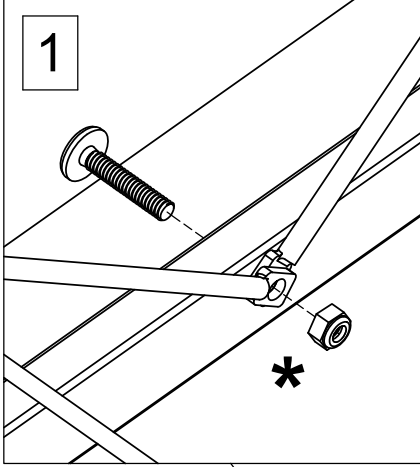
x2



15.47x1.25x0.59"
393x30x15 mm



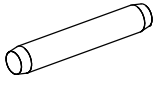
| | | | | | | | | |
|----------|--|---|---|---|---|---|----------|--|
| 8 | <p>0120609 x6</p>  <p>M6x1.18" M6x30 mm</p> | <p>0121203 x2</p>  <p>M6x0.39x0.24" M6/10x6 mm</p> | <p>0132810 x4</p>  <p>Ø0.59/Ø0.35x0.67/0.59" Ø15/Ø9x17/15 mm</p> | <p>0166827 x4</p>  <p>Ø1.34x8.66" Ø34x220 mm</p> | <p>0166833 x2</p>  <p>13.70x8.54x0.47" 348x217x12 mm</p> | <p>0197642 x1</p>  <p>0.16x1.93x1.46" 4x49x37 mm</p> | * |  |
|----------|--|---|---|---|---|---|----------|--|



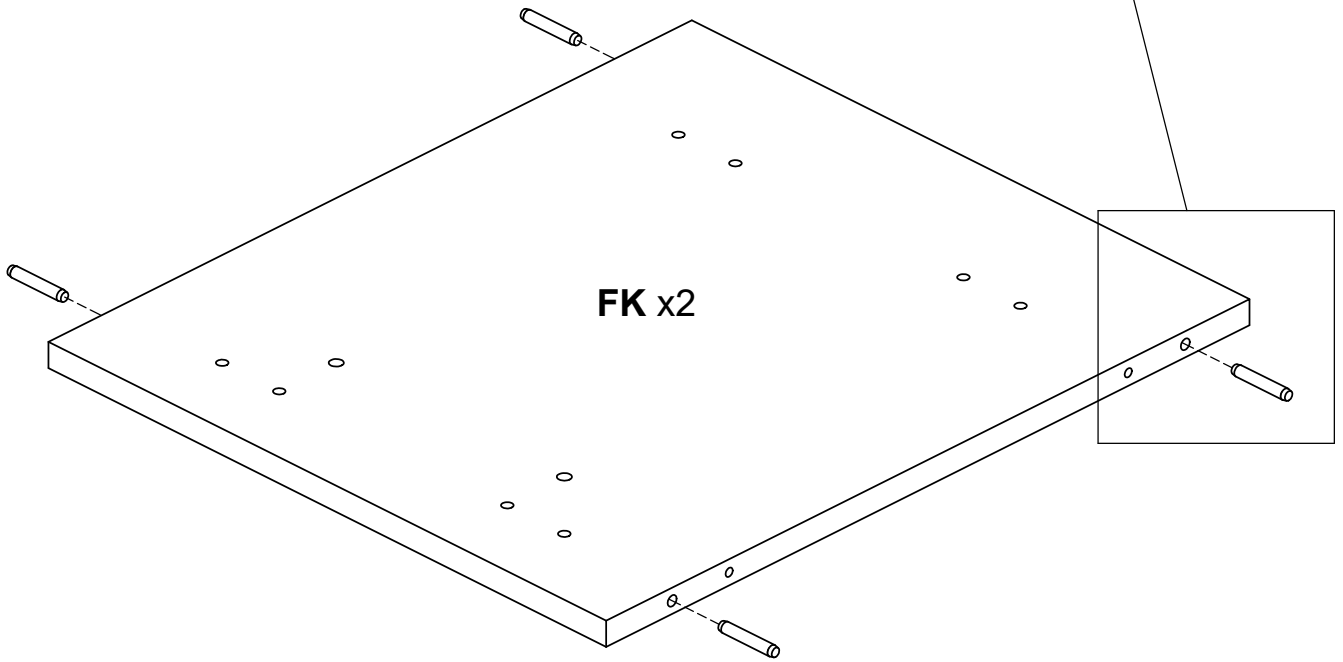
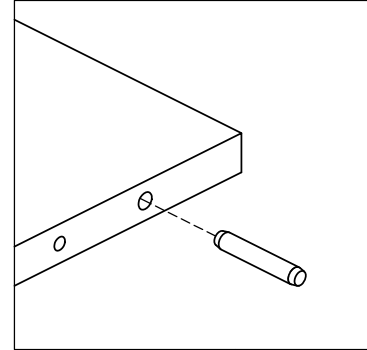
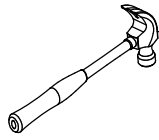
9

0120203

x8



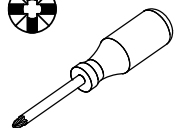
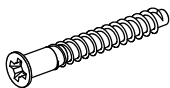
Ø0.2x1.18"
Ø5x30 mm



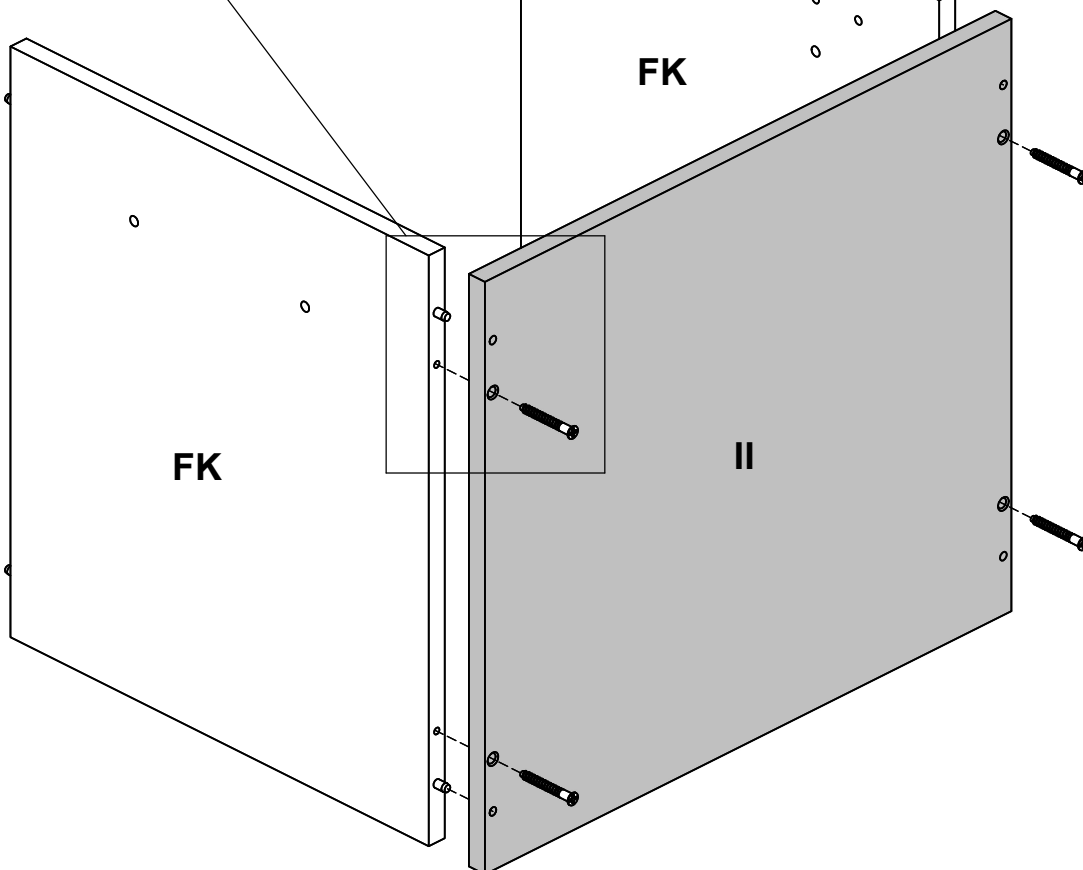
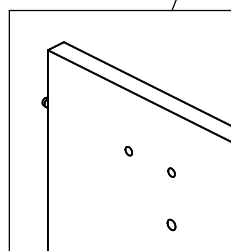
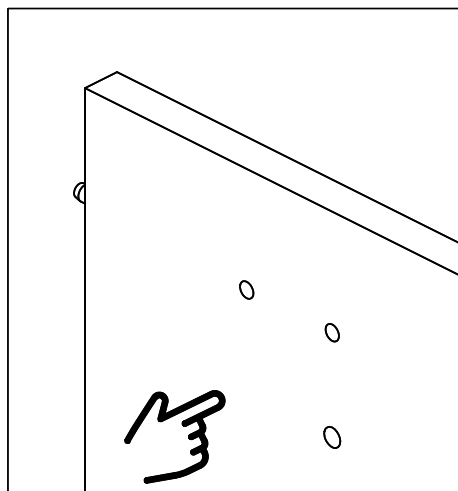
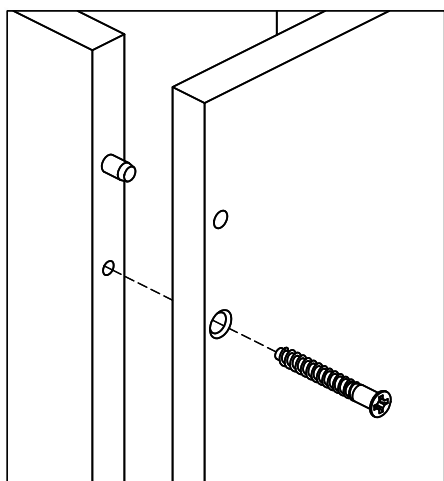
10

0125604

x4



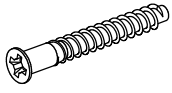
Ø0.2x1.5"
Ø5x38 mm



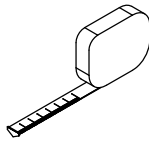
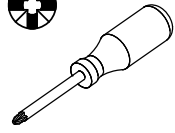
11

0125604

x4

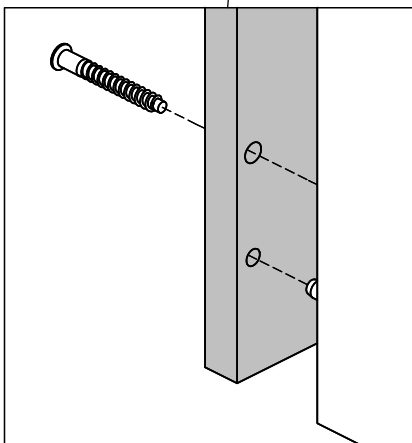
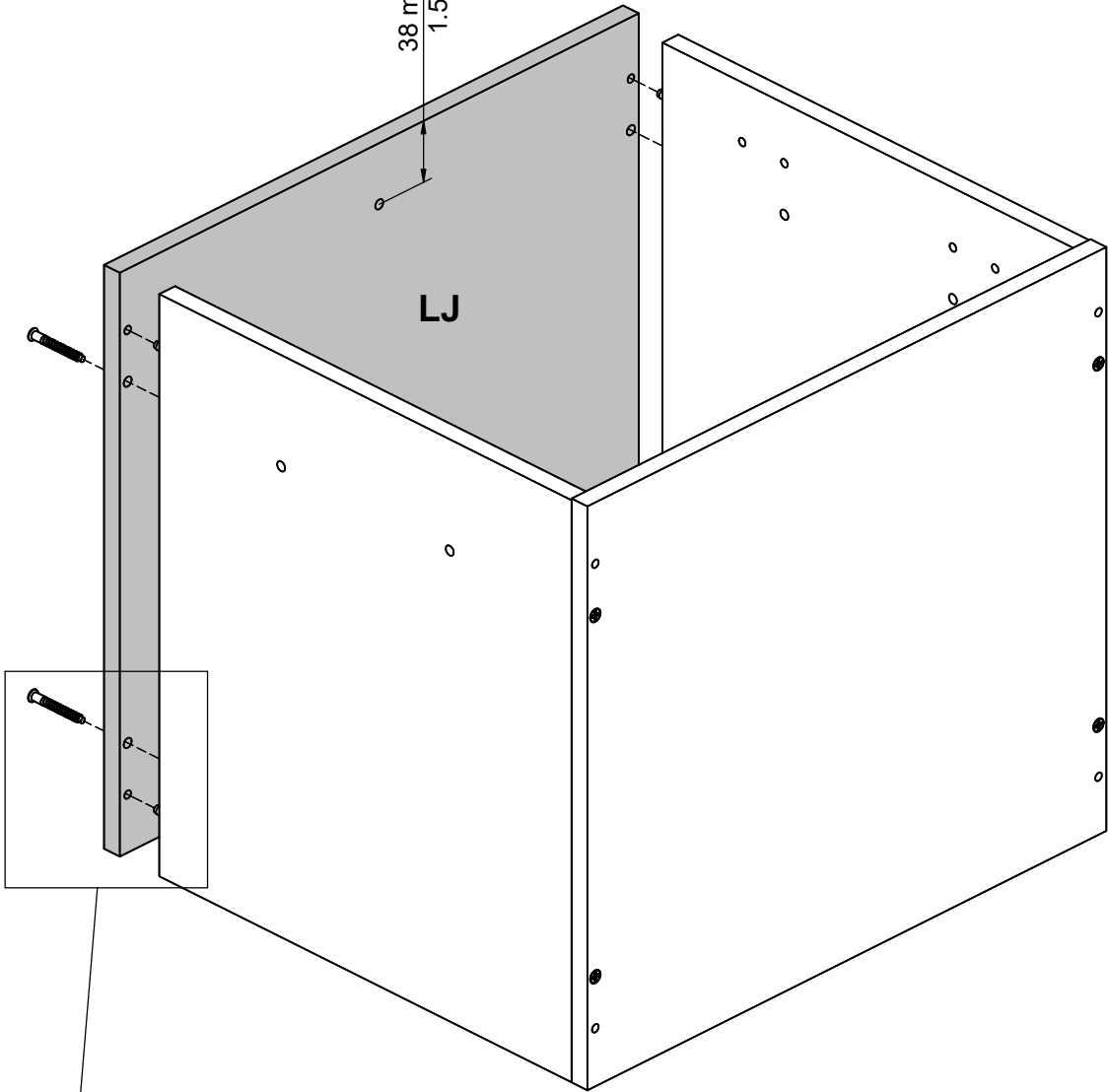


Ø0.2x1.5"
Ø5x38 mm

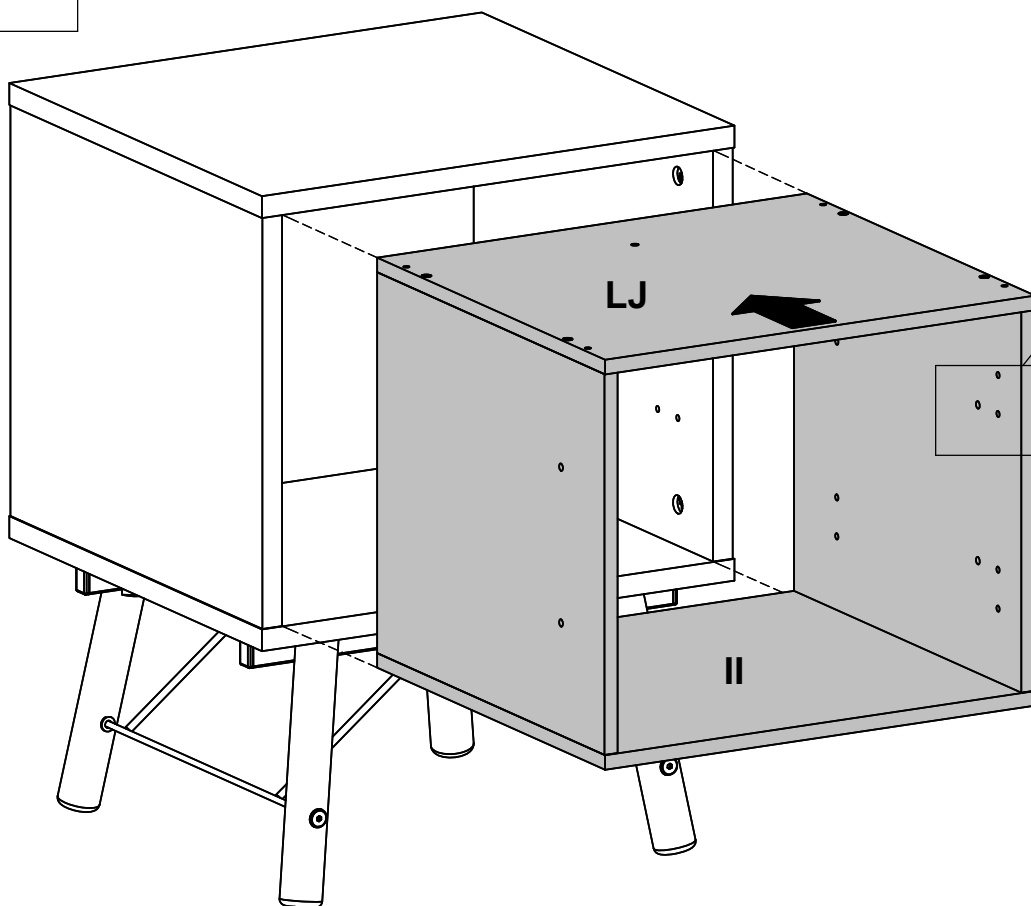


38 mm
1.5"

LJ



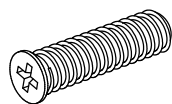
12



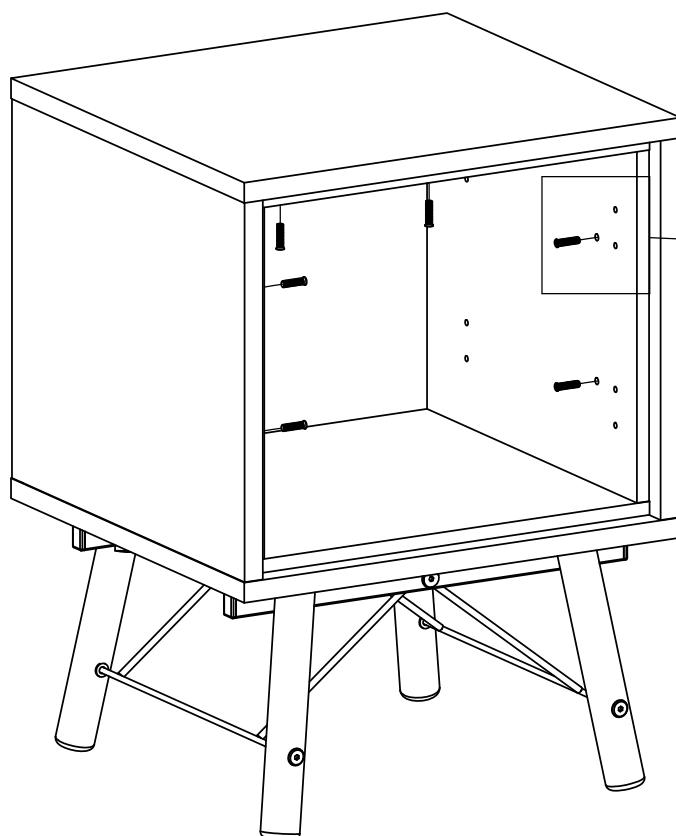
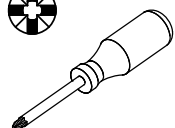
13

0126096

x6



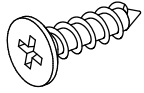
Ø0.23x0.87"
Ø5,8x22 mm



14

0125215

x4



Ø0.12x0.47"
Ø3x12 mm

0126020

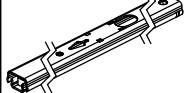
x4



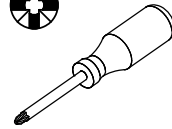
Ø0.23x0.35"
Ø5.8x9 mm

0141407

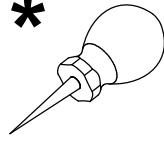
x2



0.67x12.13/13.78"
17x308/350 mm



*



1

0126020



3

0125215



*

2

4

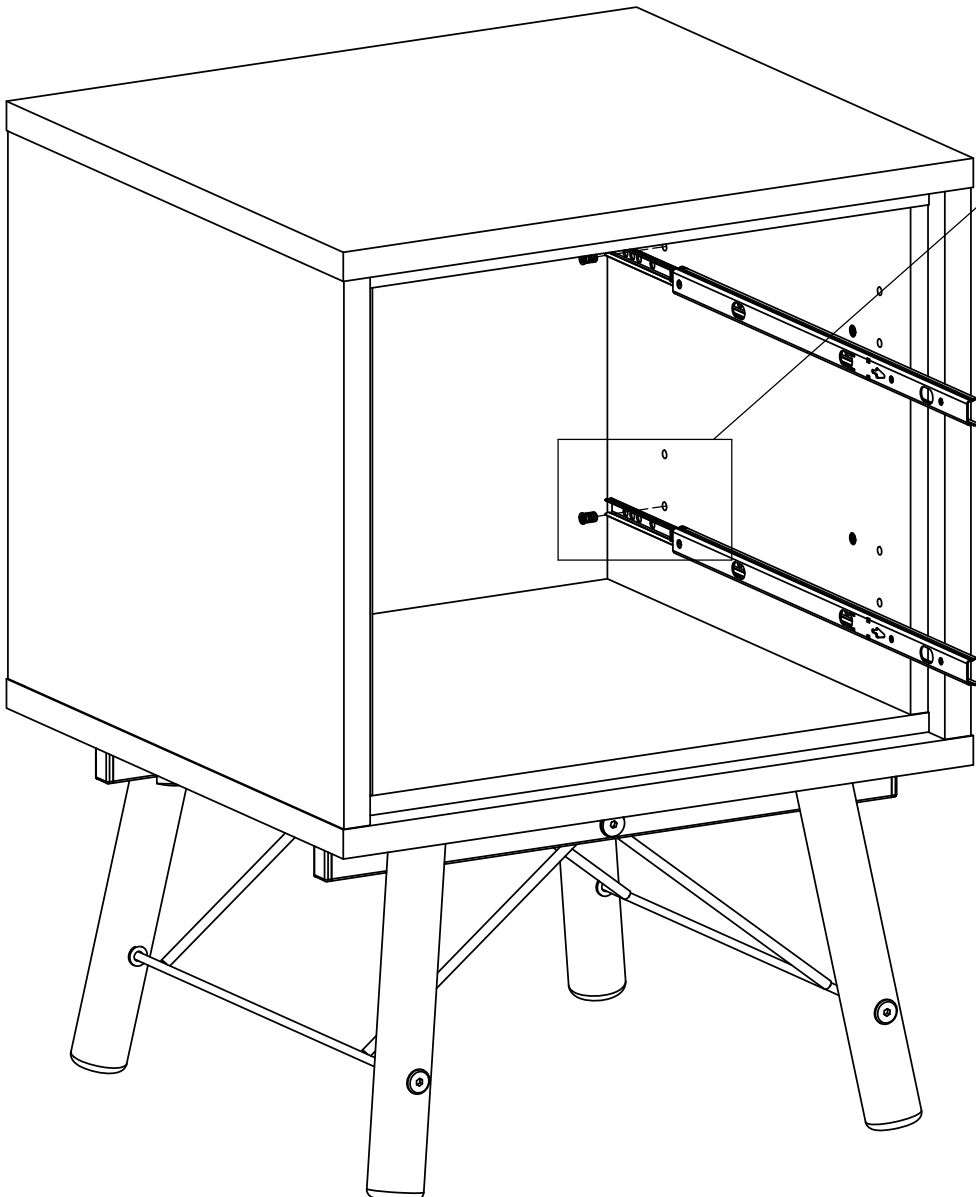
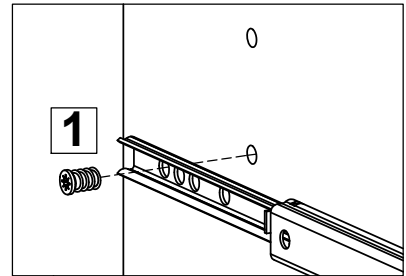
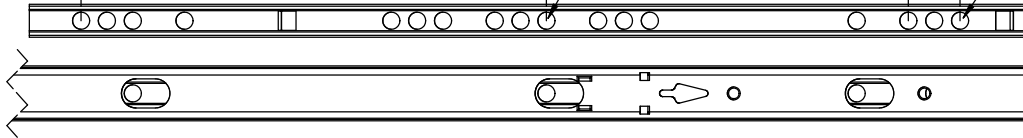
0126020



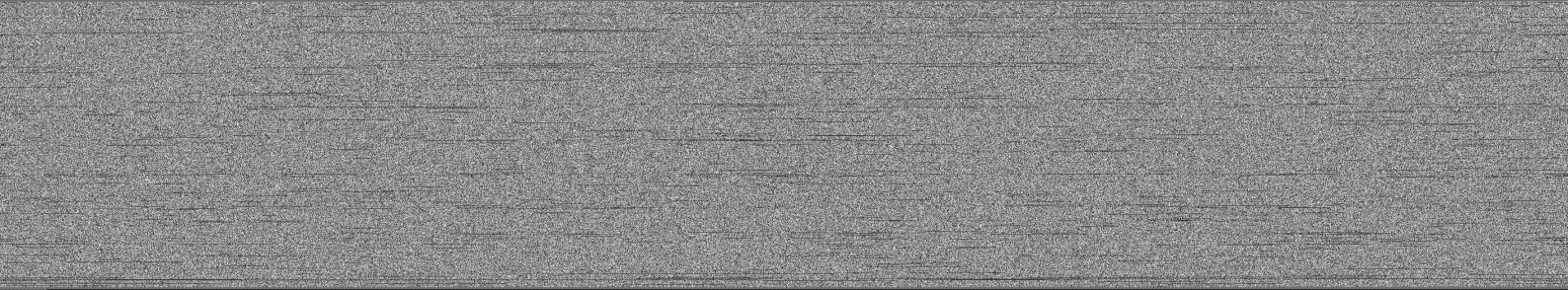
0125215



*



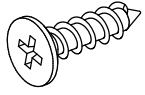




15

0125215

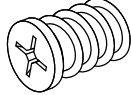
x4



Ø0.12x0.47"
Ø3x12 mm

0126020

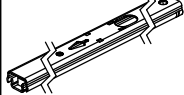
x4



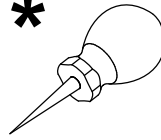
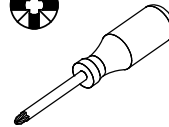
Ø0.23x0.35"
Ø5.8x9 mm

0141407

x2



0.67x12.13/13.78"
17x308/350 mm



4 2

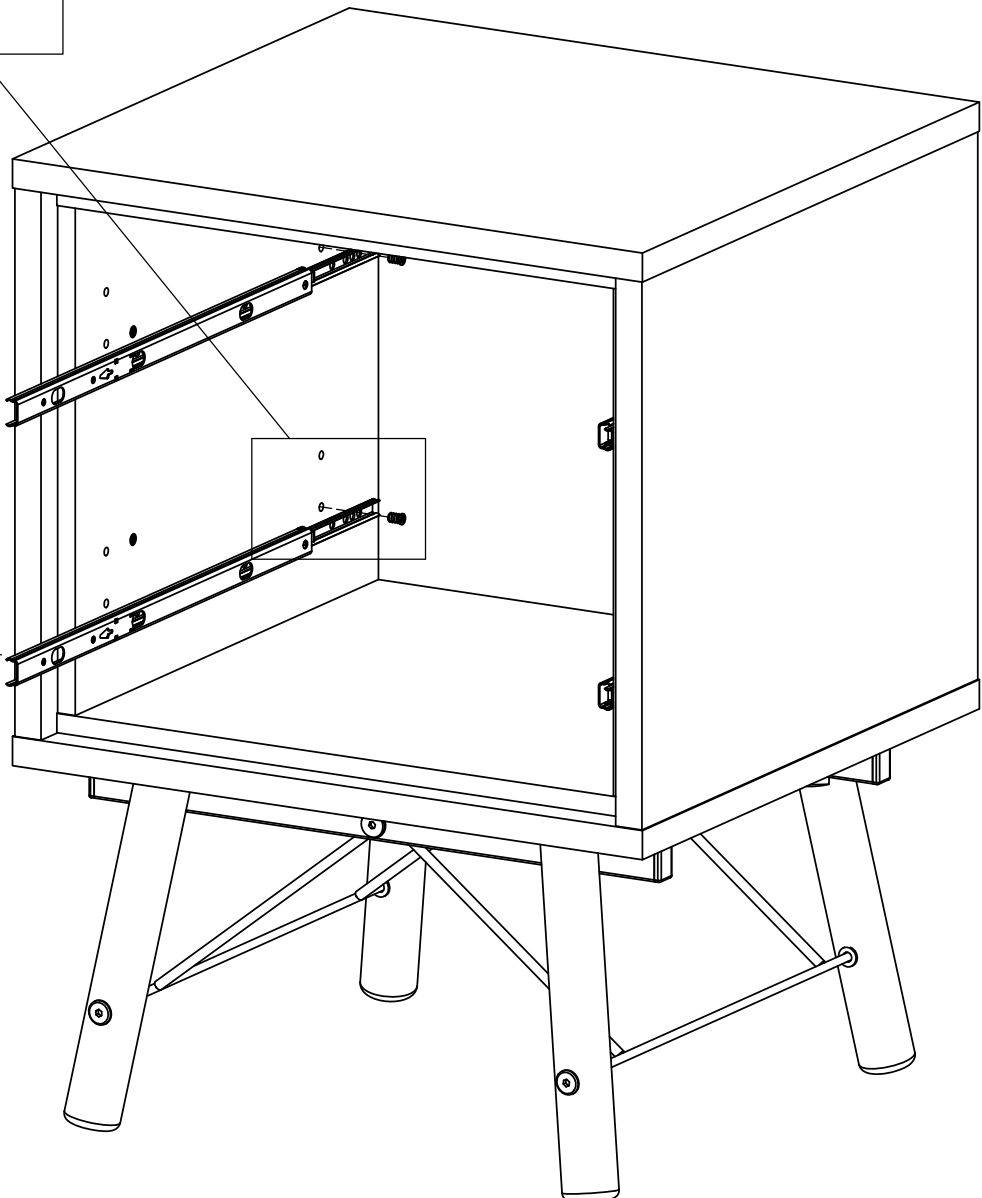
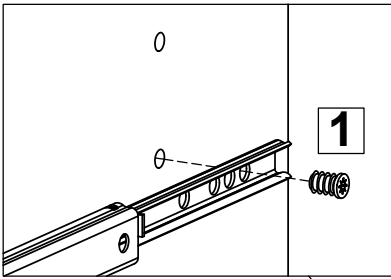
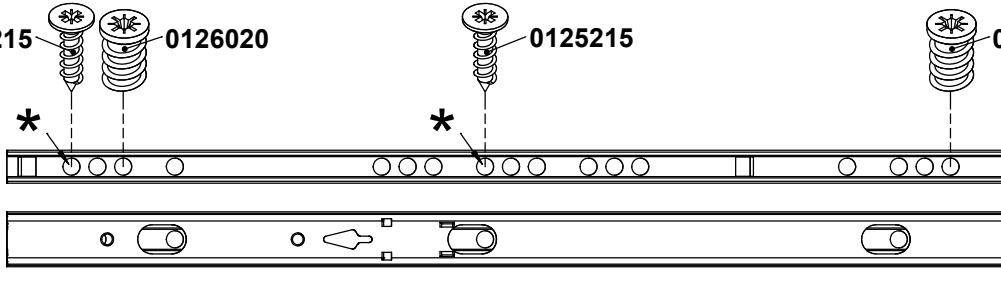
3

1

0125215 0126020

0125215

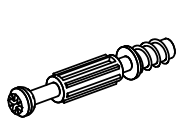
0126020



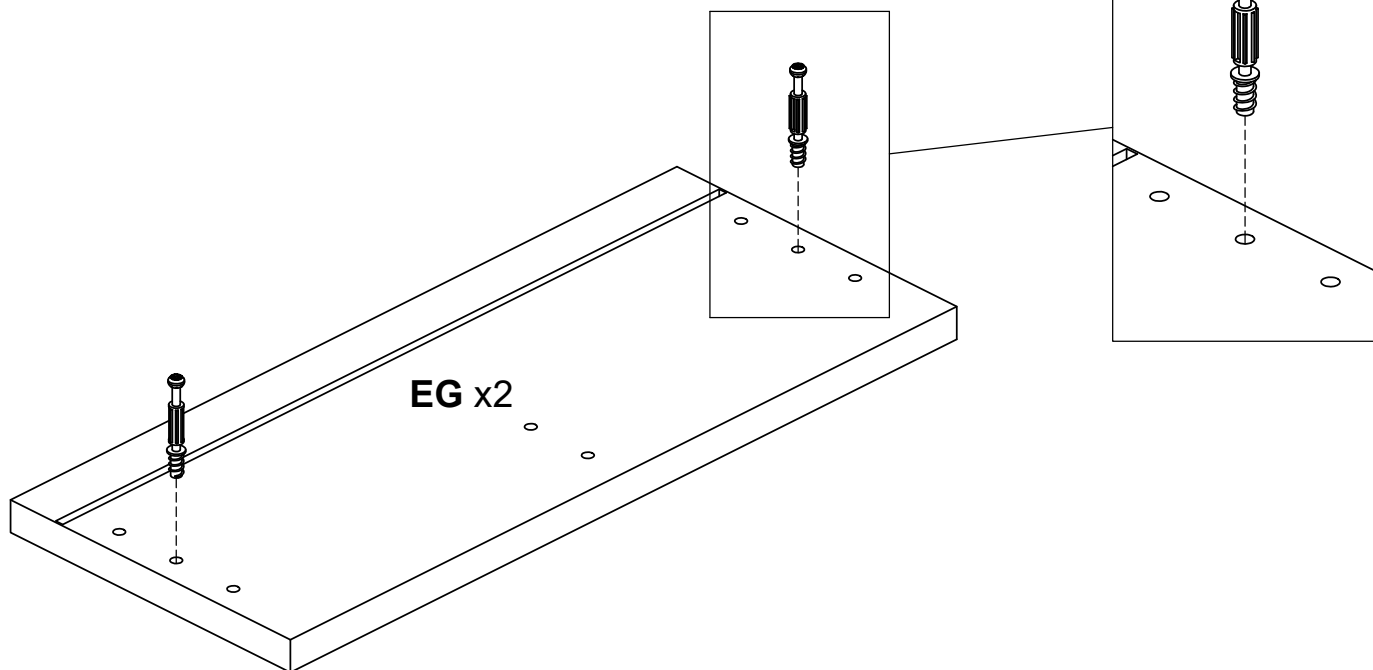
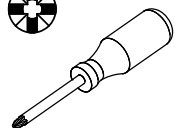
16

0131513

x4



Ø0.30x1.73/1.34"
Ø7,5x44/34 mm



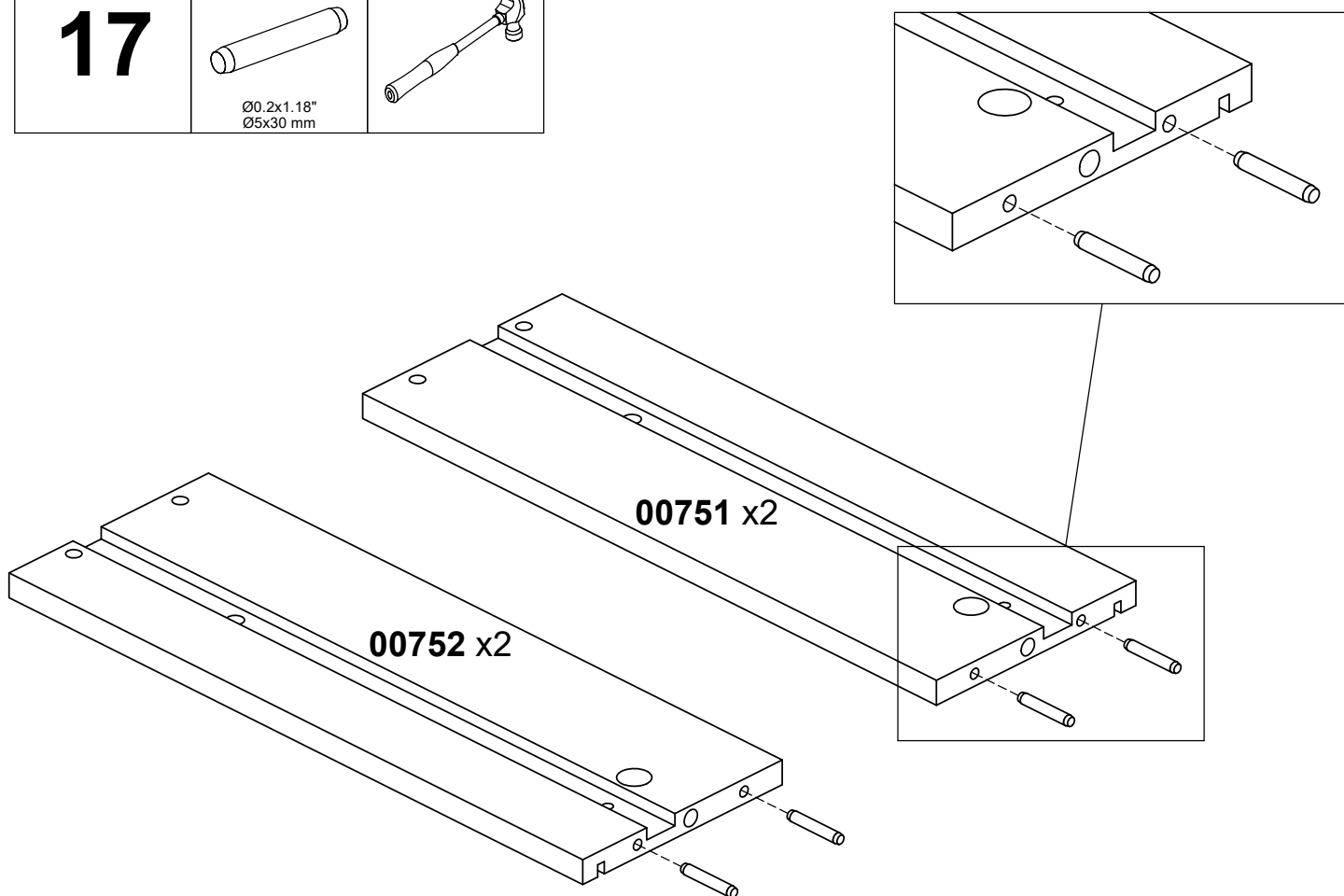
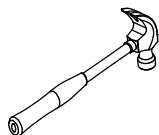
17

0120203

x8



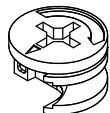
Ø0.2x1.18"
Ø5x30 mm



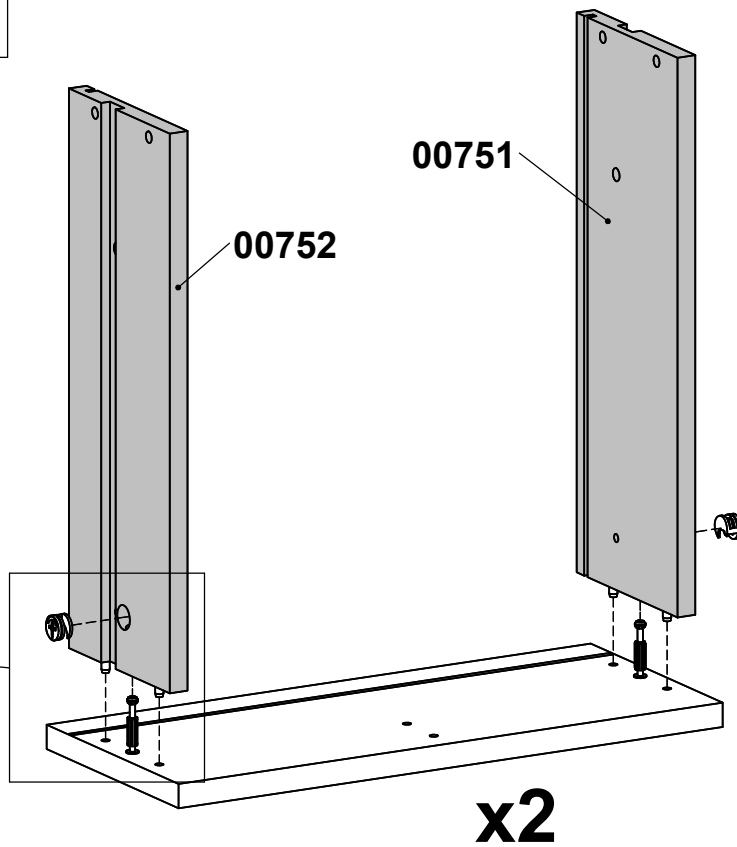
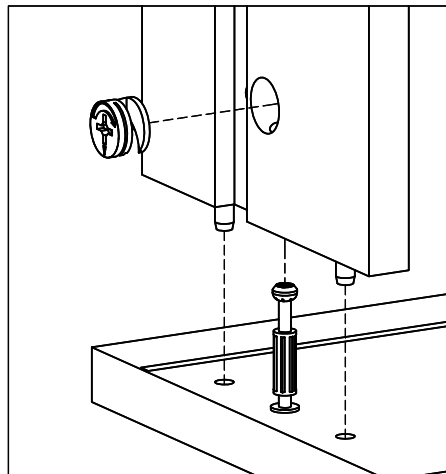
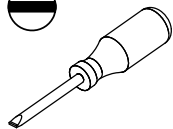
18

0131687

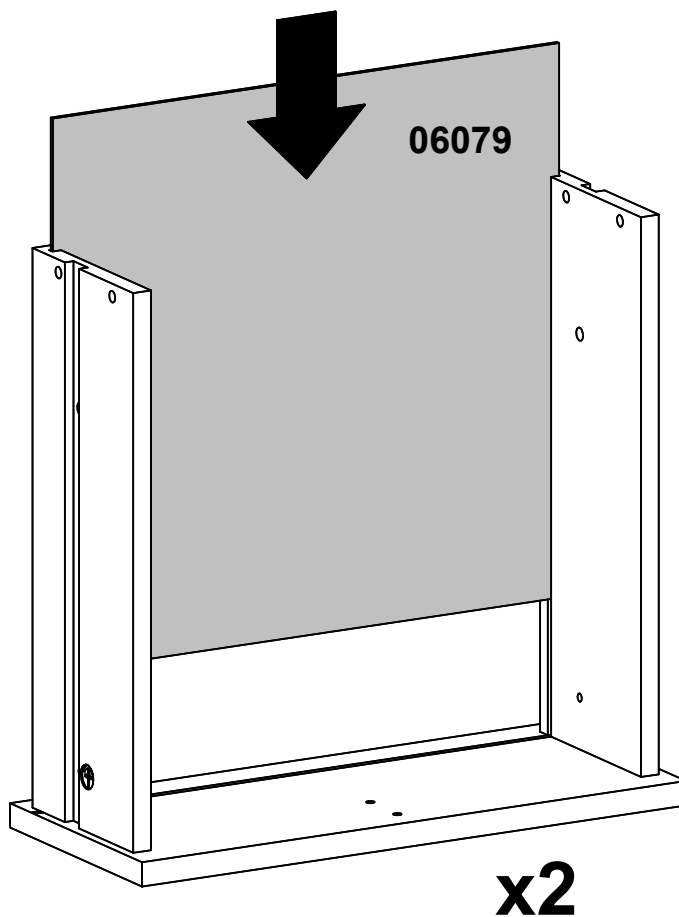
x4



Ø0.59x0.37"
Ø15x9,5 mm



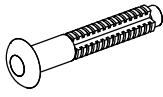
19



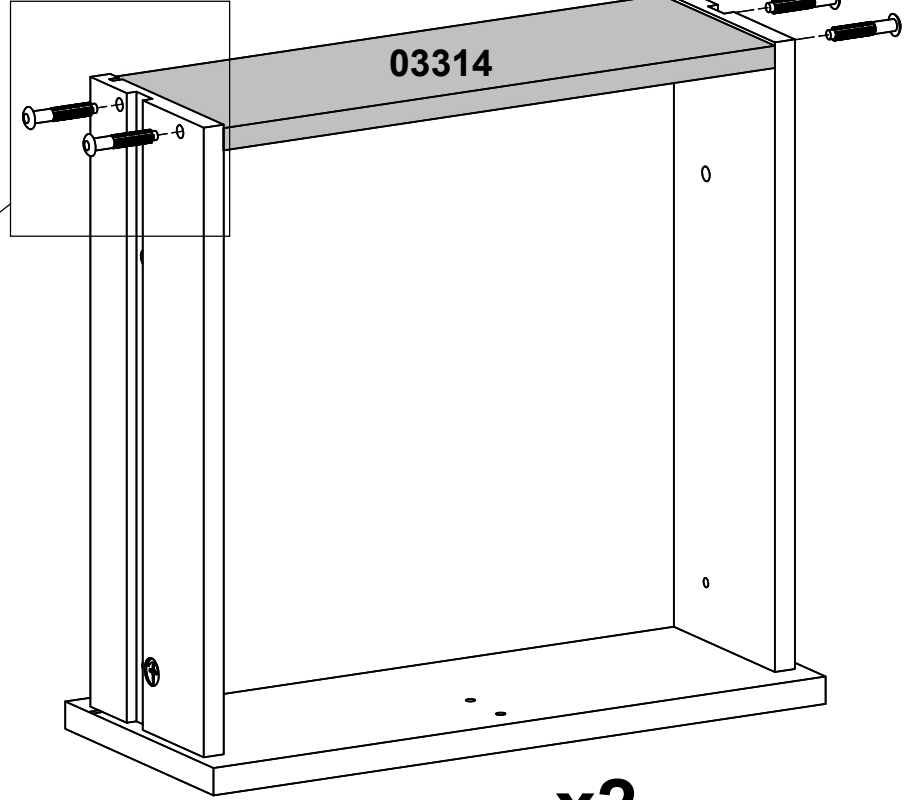
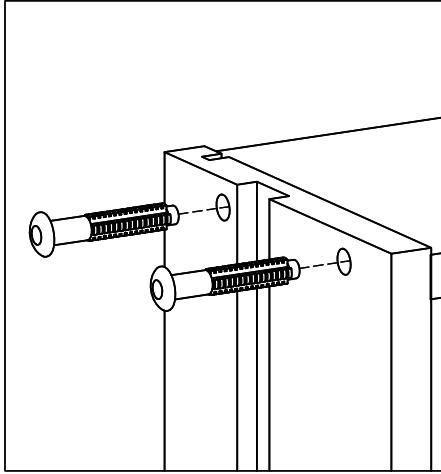
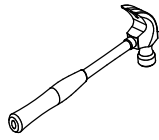
20

0120228

x8



Ø0.25x1.57"
Ø6.3x40 mm

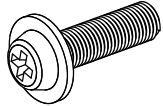


x2

21

0126297

x4



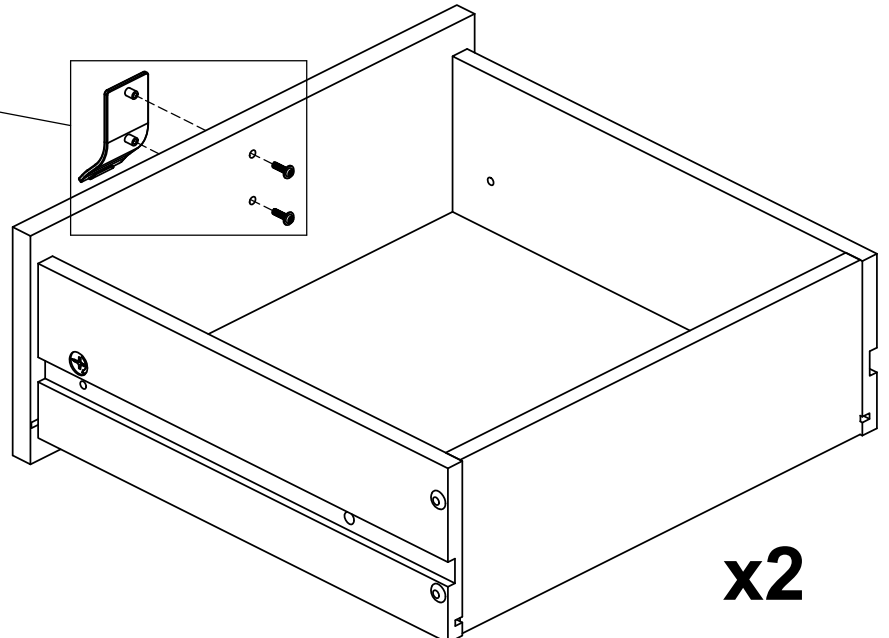
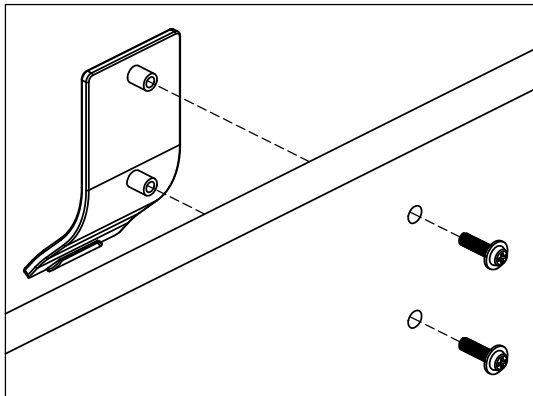
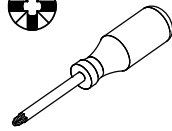
M3x0.47"
M3x12 mm

0180113

x2



1.38x2.83x1.22"
35x72x31 mm

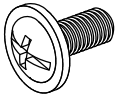


x2

22

0126214

x4



M4x0.35"
M4x9 mm

