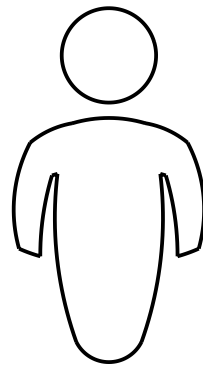
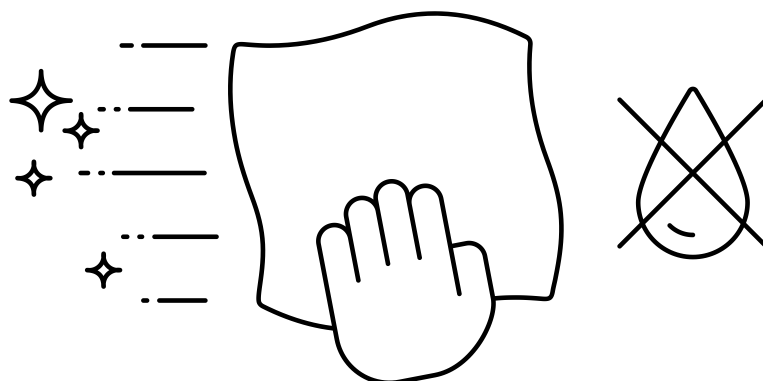
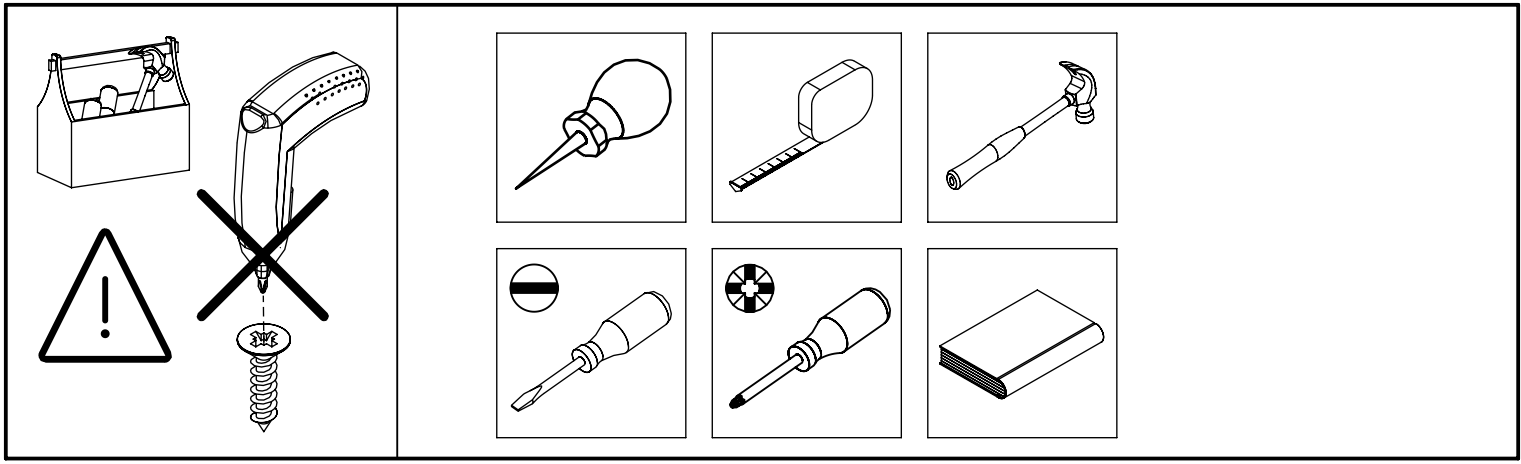


3-4 hr

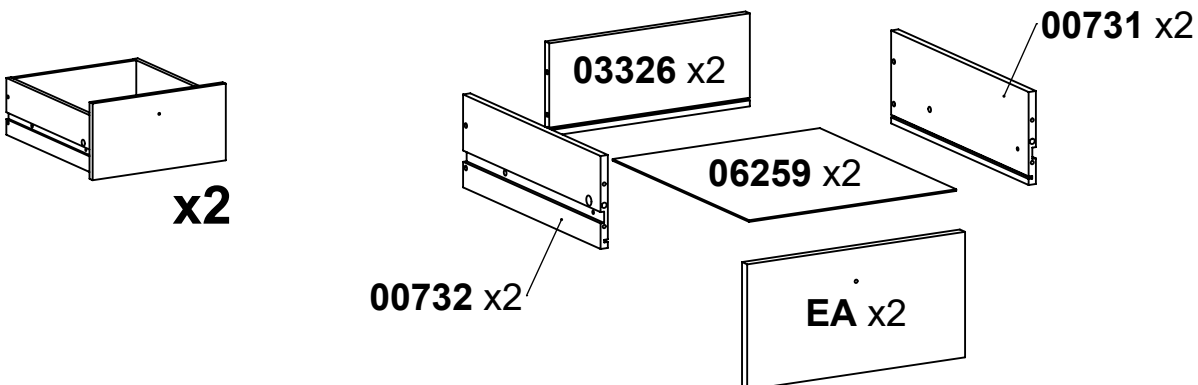
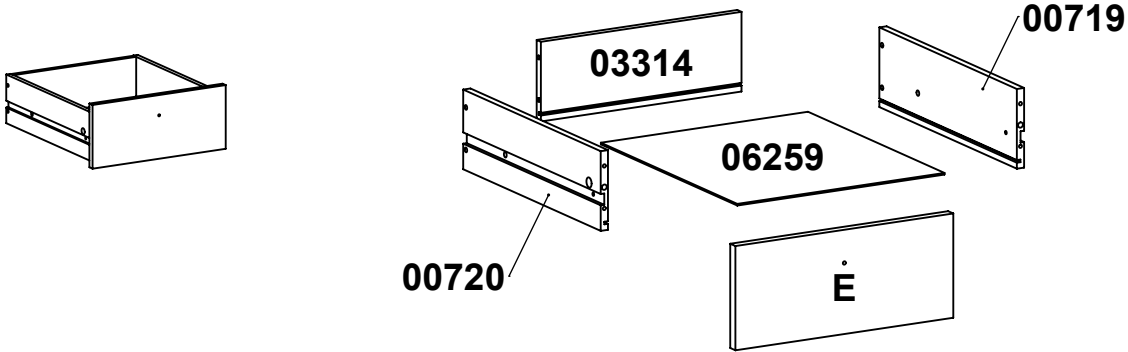
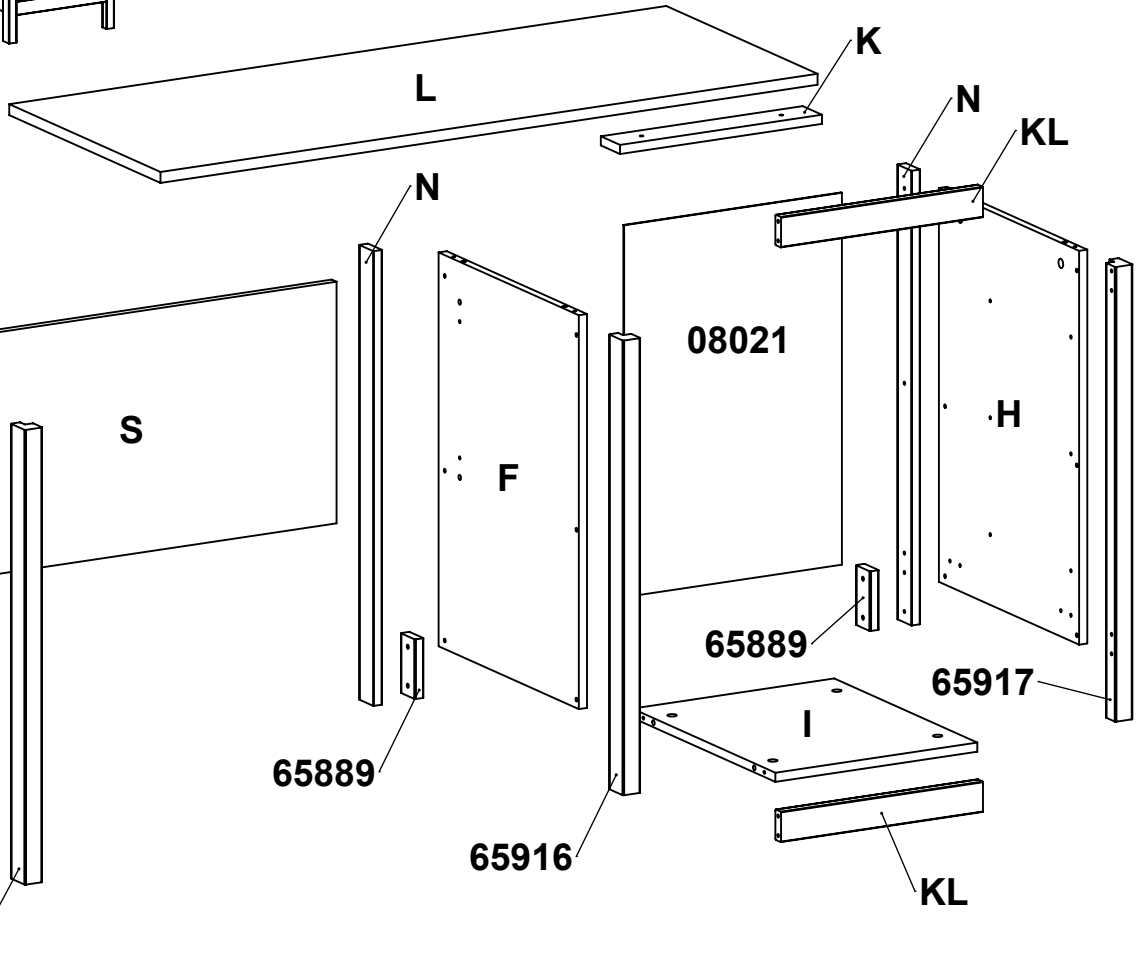
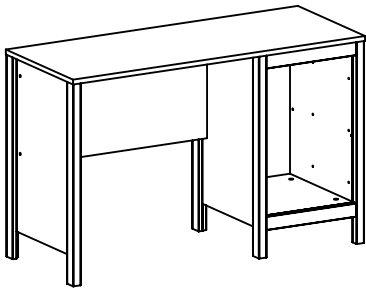


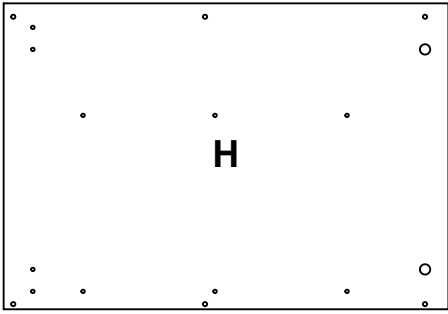
x2



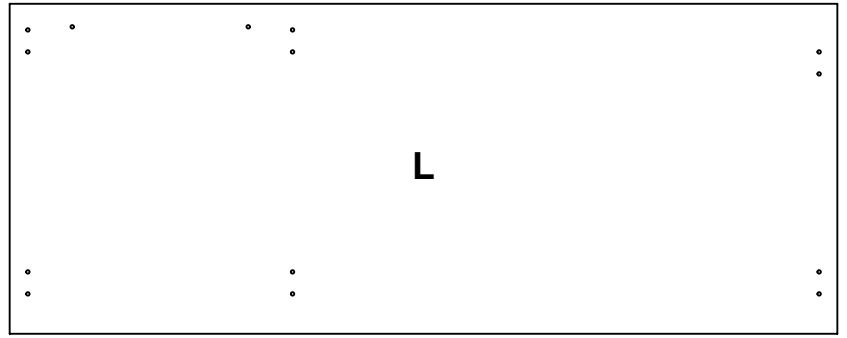


<p>0110901 <b>x1</b></p> <p>Ø0.87x0.02" Ø22x0,5 mm</p>	<p>0120203 <b>x34</b></p> <p>Ø0.2x1.18" Ø5x30 mm</p>	<p>0120228 <b>x12</b></p> <p>Ø0.25x1.57" Ø6,3x40 mm</p>	<p>0123006 <b>x1</b></p> <p>0.06x0.98" 1,4x25 mm</p>	<p>0125233 <b>x12</b></p> <p>Ø0.14x0.59" Ø3,5x15 mm</p>
<p>0126020 <b>x12</b></p> <p>Ø0.23x0.35" Ø5,8x9 mm</p>	<p>0126033 <b>24</b></p> <p>Ø0.25x1.06" Ø6,3x27 mm</p>	<p>0126214 <b>x6</b></p> <p>M4x0.35" M4x9 mm</p>	<p>0126218 <b>x3</b></p> <p>M4x0.47" M4x12 mm</p>	<p>0126230 <b>x3</b></p> <p>M4x0.87" M4x22 mm</p>
<p>0131513 <b>x16</b></p> <p>Ø0.30x1.73/1.34" Ø7,5x44/34 mm</p>	<p>0131561 <b>x4</b></p> <p>Ø0.28x2.02" Ø7x51,3 mm</p>	<p>0131687 <b>x20</b></p> <p>Ø0.59x0.37" Ø15x9,5 mm</p>	<p>0132813 <b>x3</b></p> <p>Ø0.39/Ø0.2x0.45/0.39" Ø10/Ø5x11,5/10 mm</p>	<p>0141417 <b>x6</b></p> <p>0.67x12.20/15.75" 17x310/400 mm</p>
<p>0180115 <b>x3</b></p> <p>5.91x0.98x0.07" 150x25x1,8 mm</p>	<p>BA10501 <b>x3</b></p> <p>Ø1.18x0.93" Ø30x23,5 mm</p>			

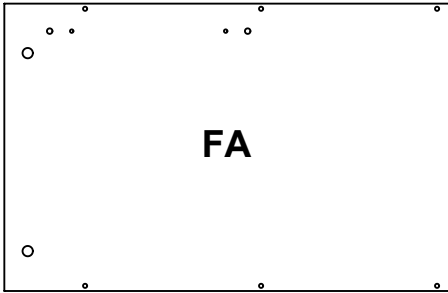




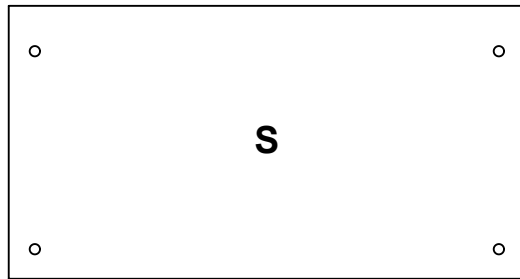
647x445x15mm



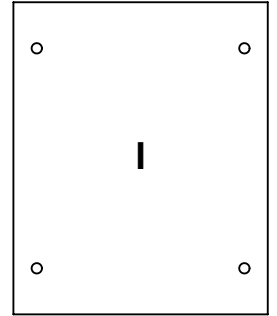
1204x480x18mm



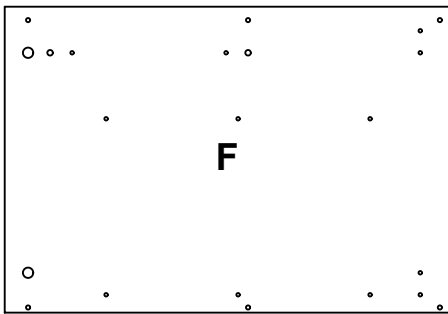
647x418x15mm



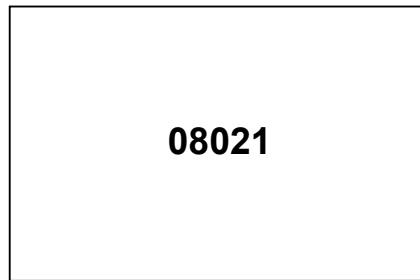
751x397x15mm



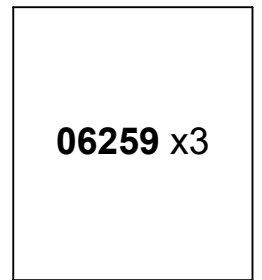
370x454x15mm



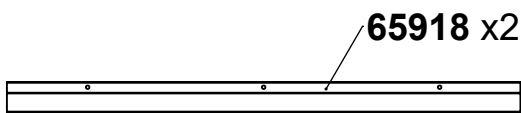
647x445x15mm



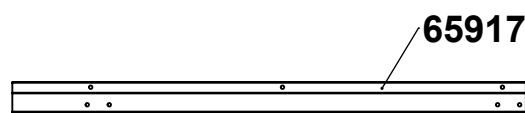
611x399x2,5mm



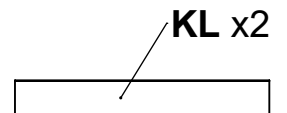
348x397x2,5mm



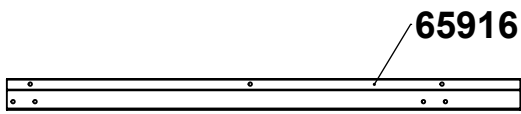
747x45x32mm



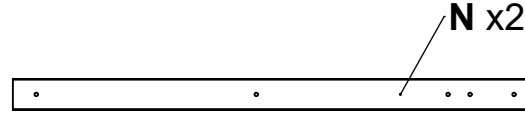
747x45x32mm



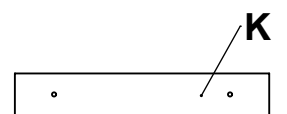
370x50x18mm



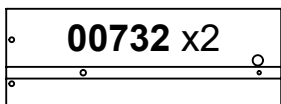
747x45x32mm



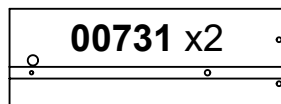
747x45x16mm



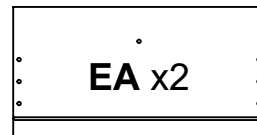
370x61x15mm



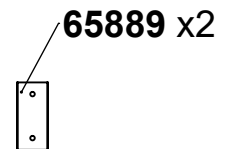
400x140x12,2mm



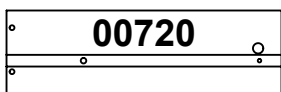
400x140x12,2mm



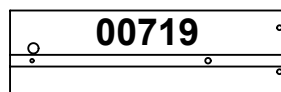
366x189x15mm



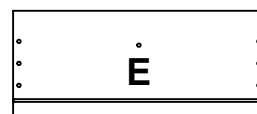
98x45x16mm



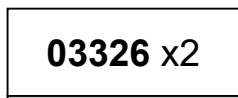
400x120x12,2mm



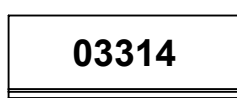
400x120x12,2mm



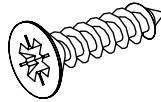
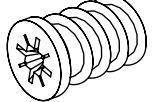
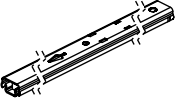
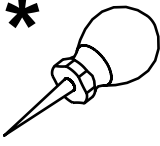
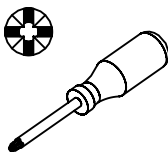
366x157x15mm

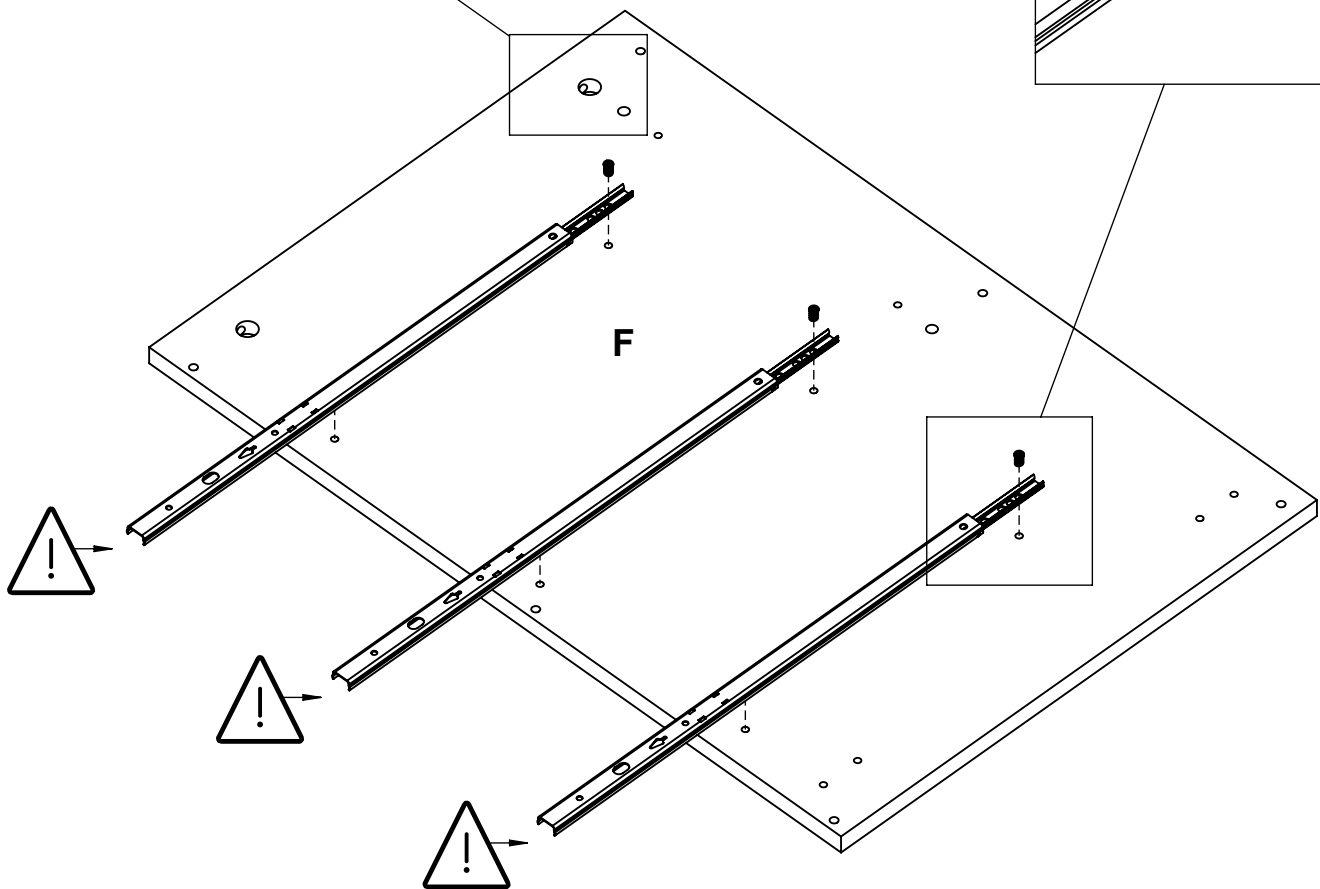
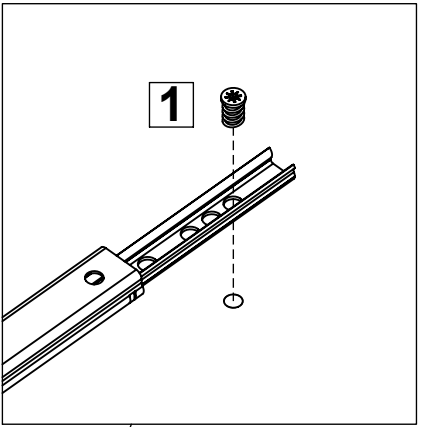
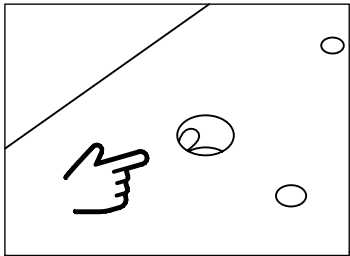
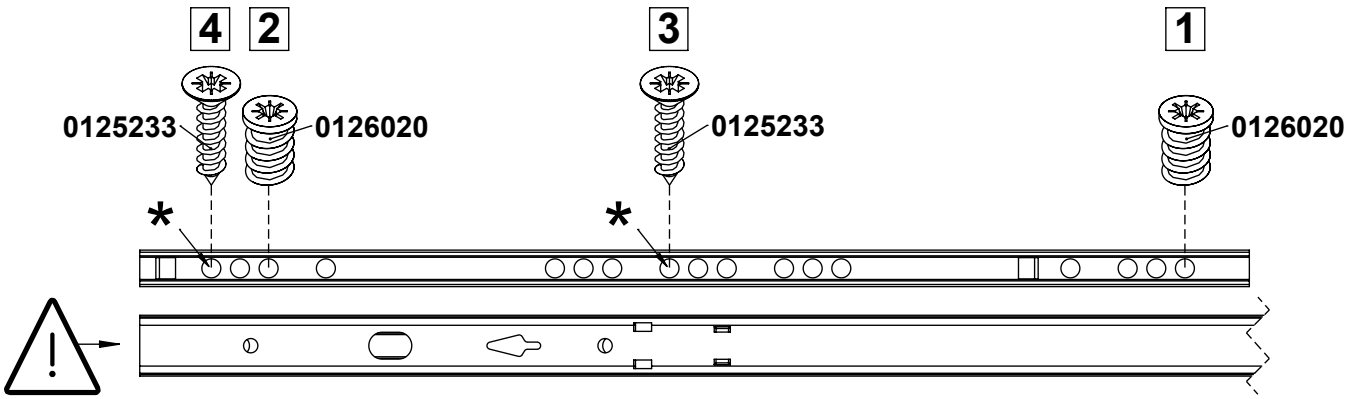


337x140x12,2mm



337x120x12,2mm

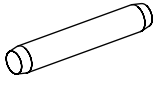
<b>1</b>	<p>0125233 <b>x6</b></p>  <p>Ø0.14x0.59" Ø3.5x15 mm</p>	<p>0126020 <b>x6</b></p>  <p>Ø0.23x0.35" Ø5.8x9 mm</p>	<p>0141417 <b>x3</b></p>  <p>0.67x12.20/15.75" 17x310/400 mm</p>	<p><b>*</b></p> 	
----------	---	--	--	--	---



# 2

0120203

x2



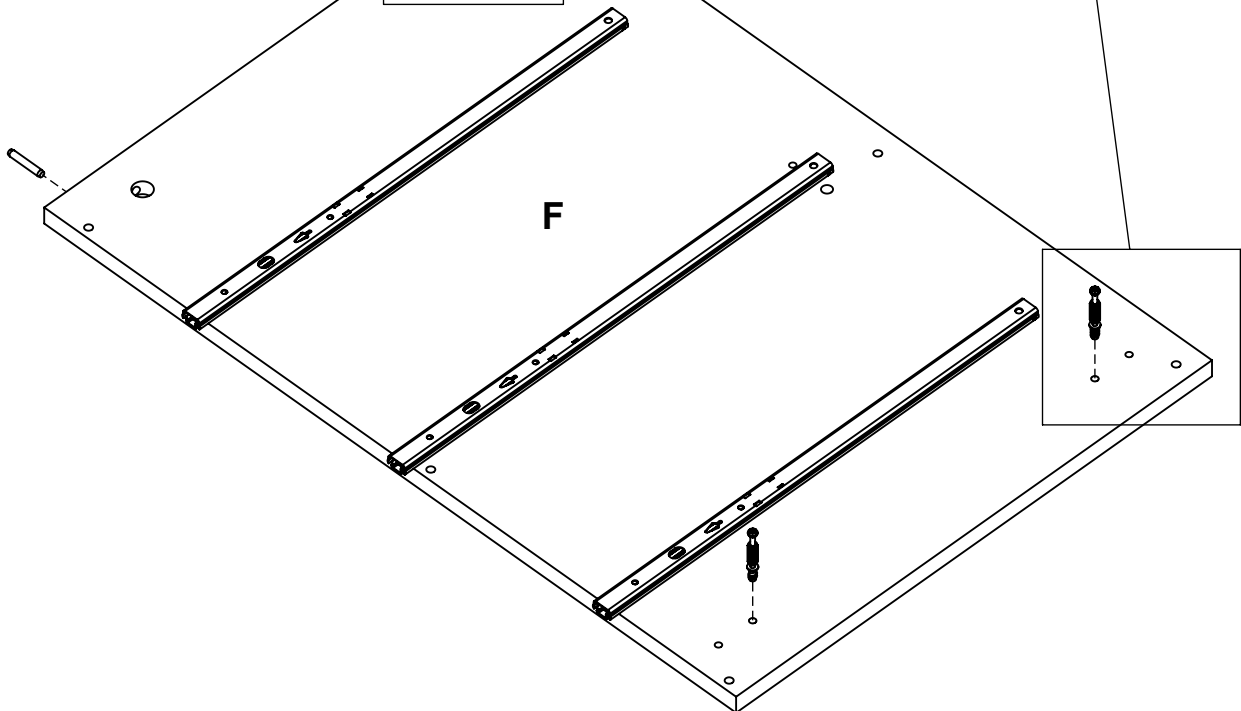
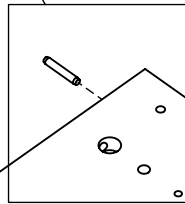
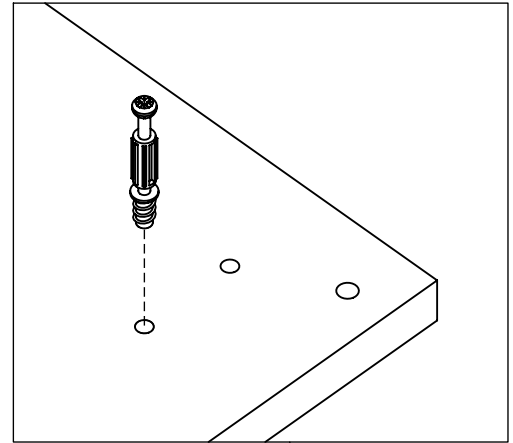
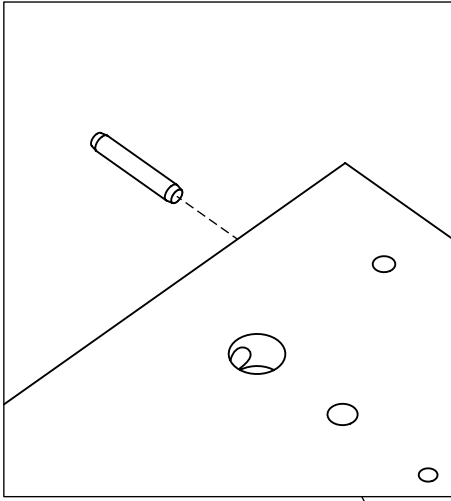
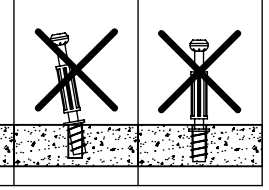
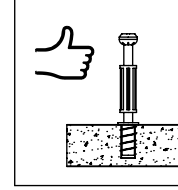
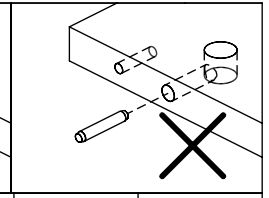
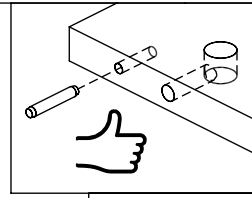
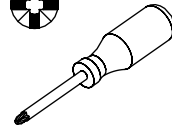
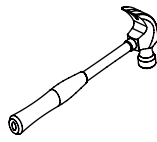
Ø0.2x1.18"  
Ø5x30 mm

0131513

x2



Ø0.30x1.73/1.34"  
Ø7.5x44/34 mm

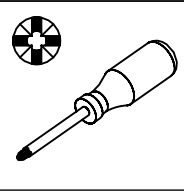
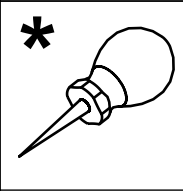


# 3

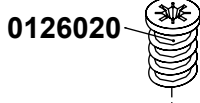
0125233 x6  
Ø0.14x0.59"  
Ø3.5x15 mm

0126020 x6  
Ø0.23x0.35"  
Ø5.8x9 mm

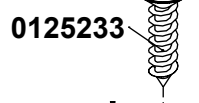
0141417 x3  
0.67x12.20/15.75"  
17x310/400 mm



1

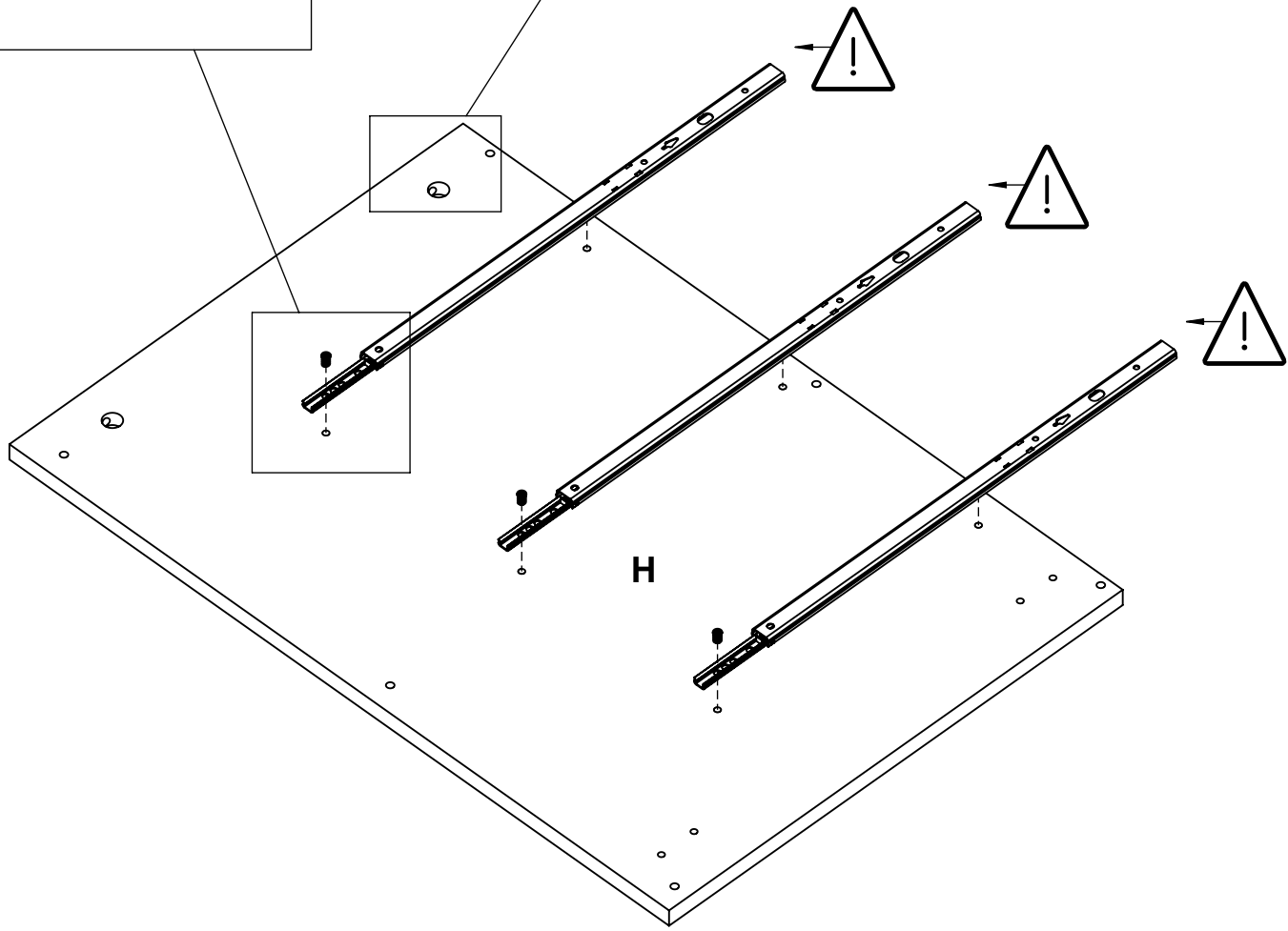
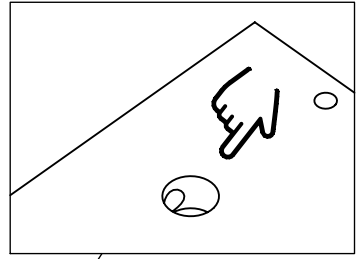
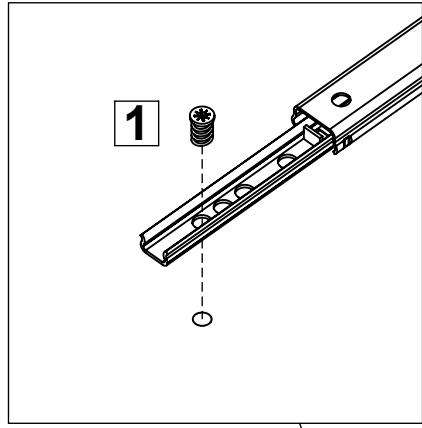
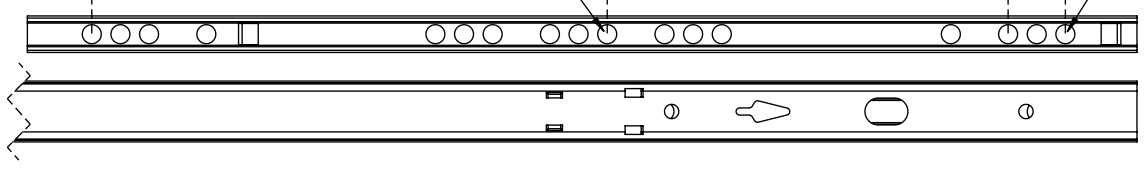
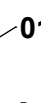
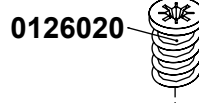


3



2

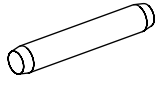
4



# 4

0120203

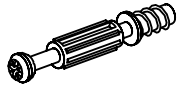
x2



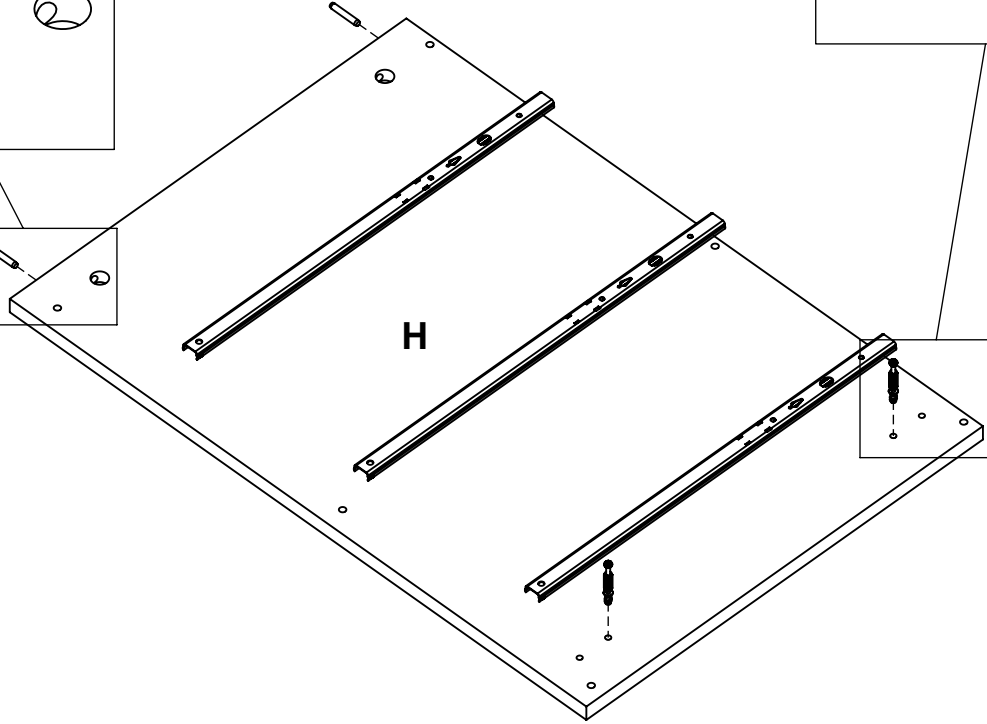
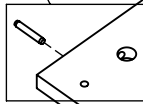
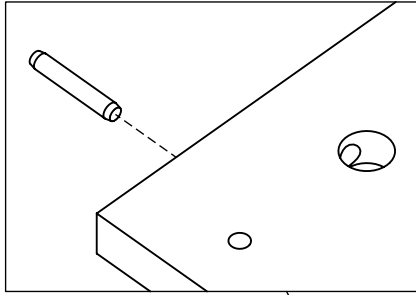
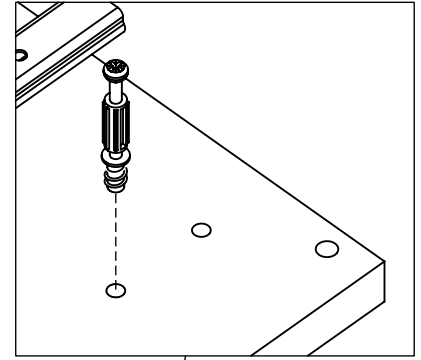
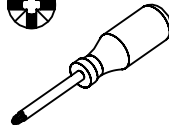
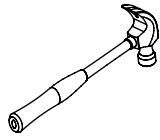
Ø0.2x1.18"  
Ø5x30 mm

0131513

x2



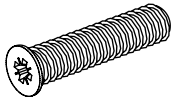
Ø0.30x1.73/1.34"  
Ø7.5x44/34 mm



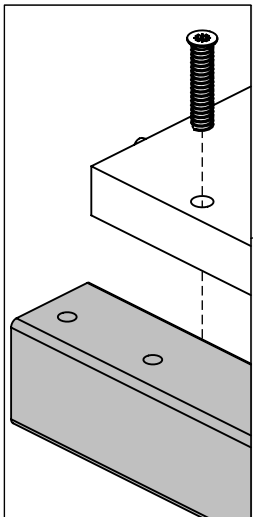
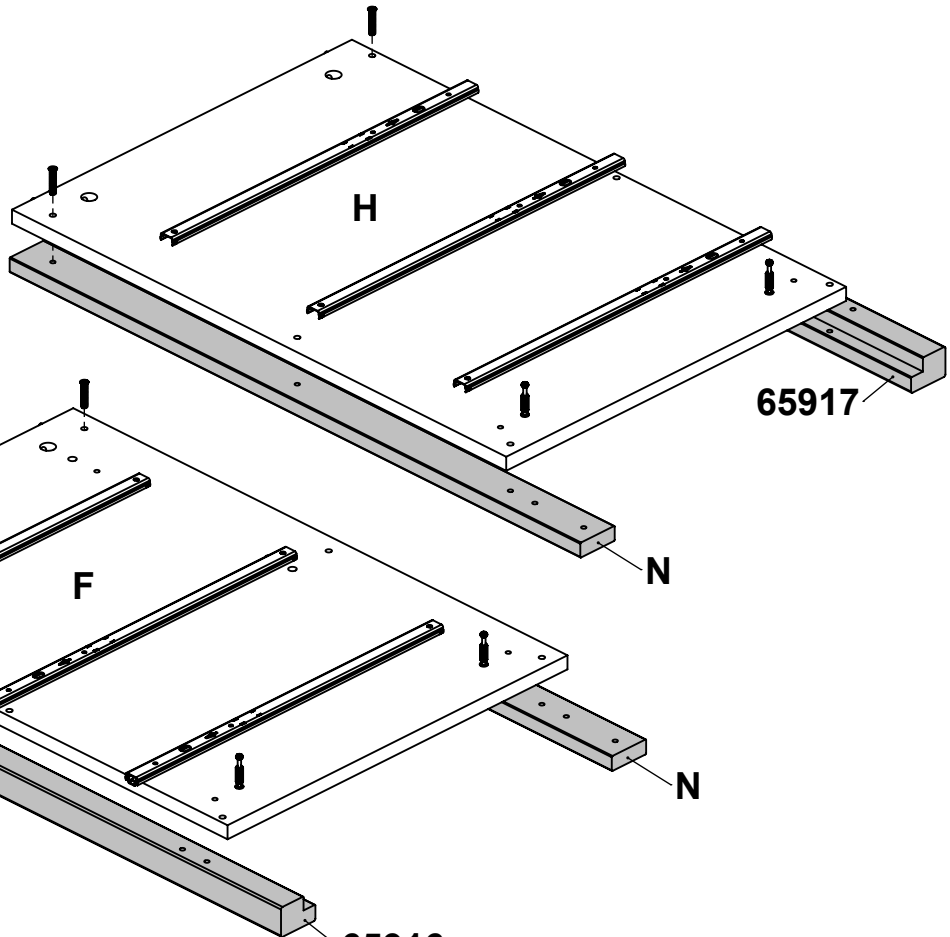
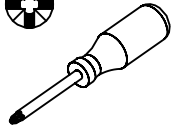
# 5

0126033

x4



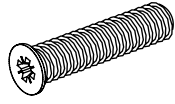
Ø0.25x1.06"  
Ø6.3x27 mm



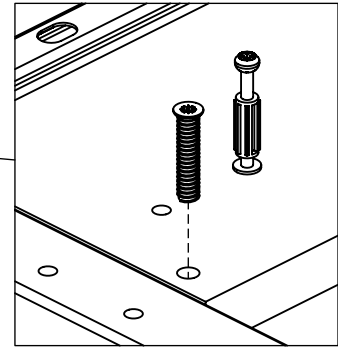
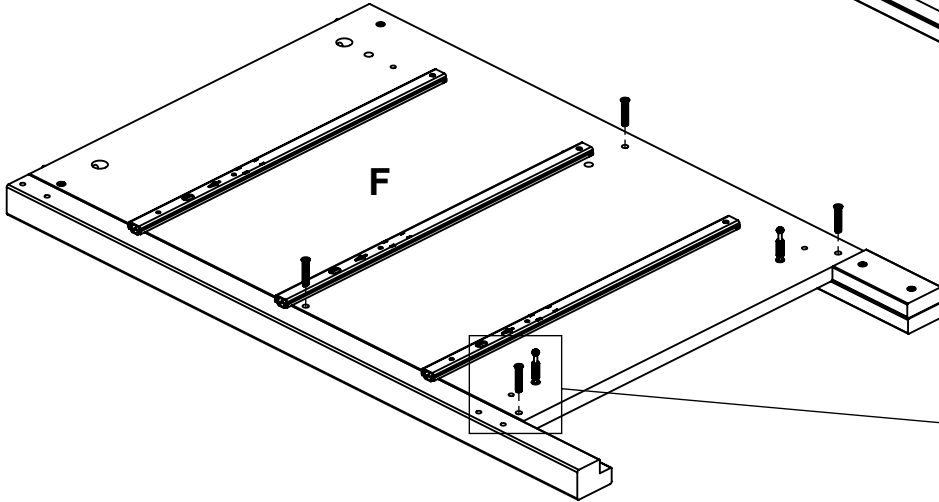
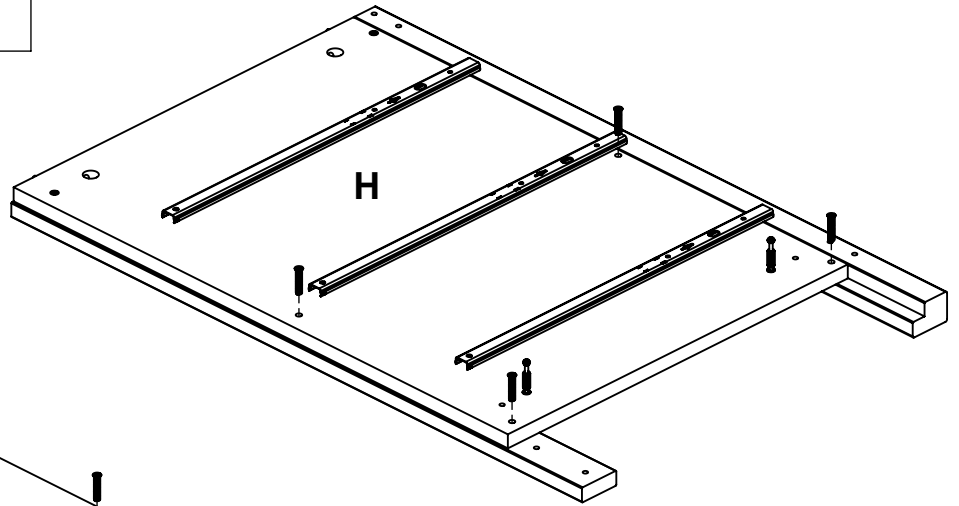
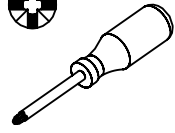
# 6

0126033

x8



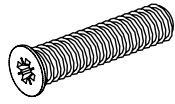
Ø0.25x1.06"  
Ø6,3x27 mm



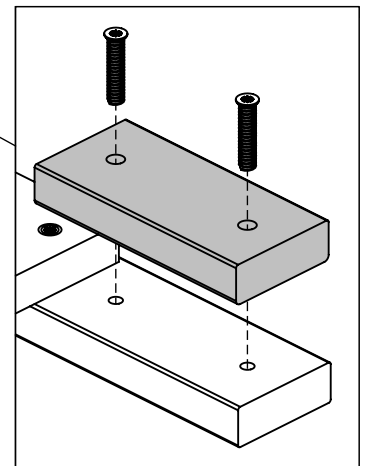
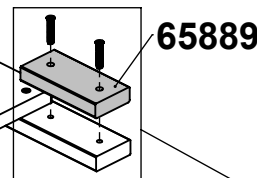
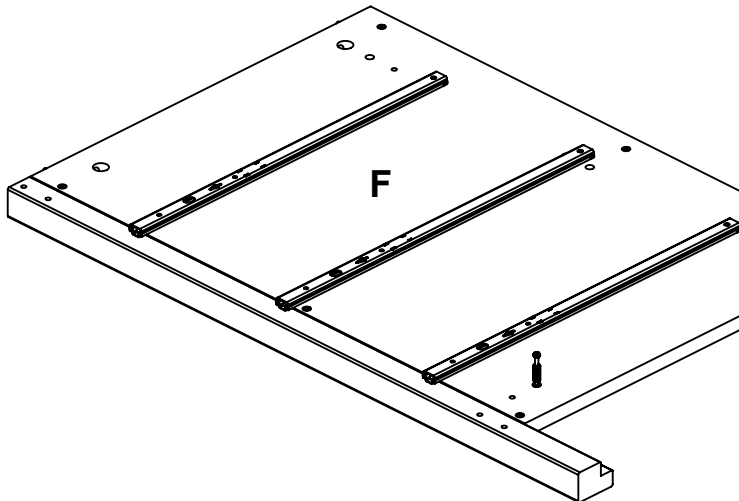
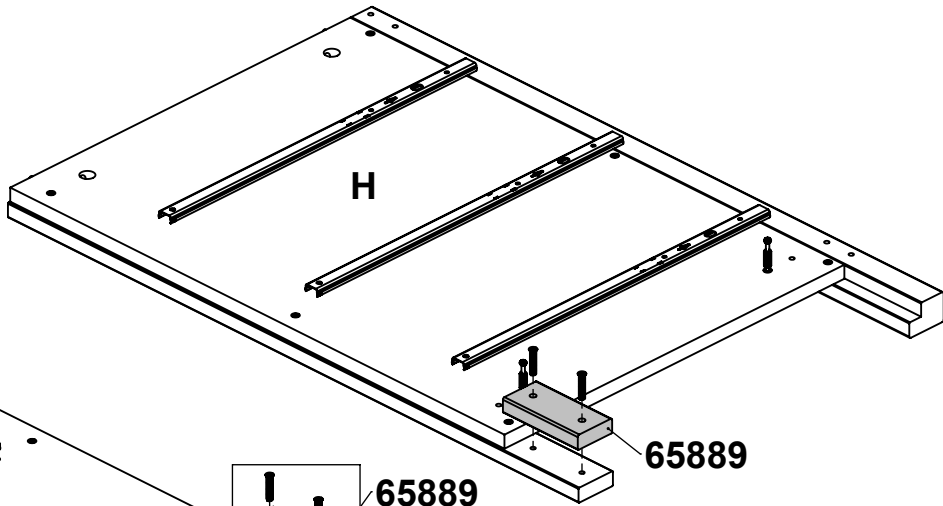
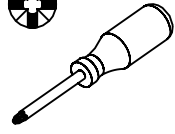
# 7

0126033

x4



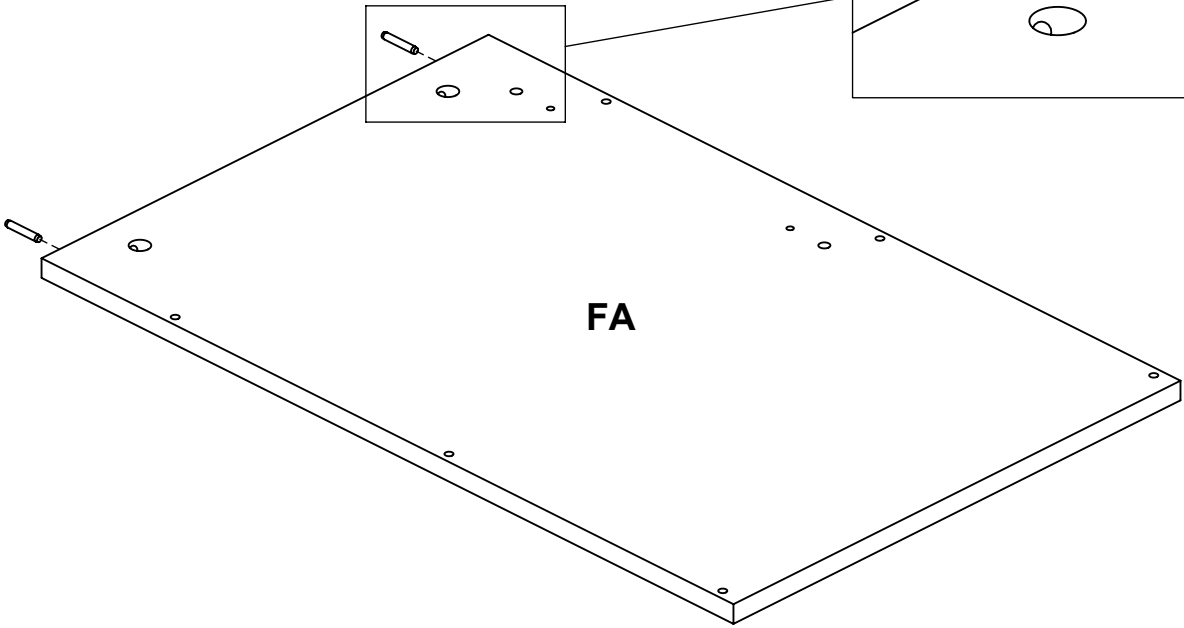
Ø0.25x1.06"  
Ø6,3x27 mm



**8**

0120203 **x2**

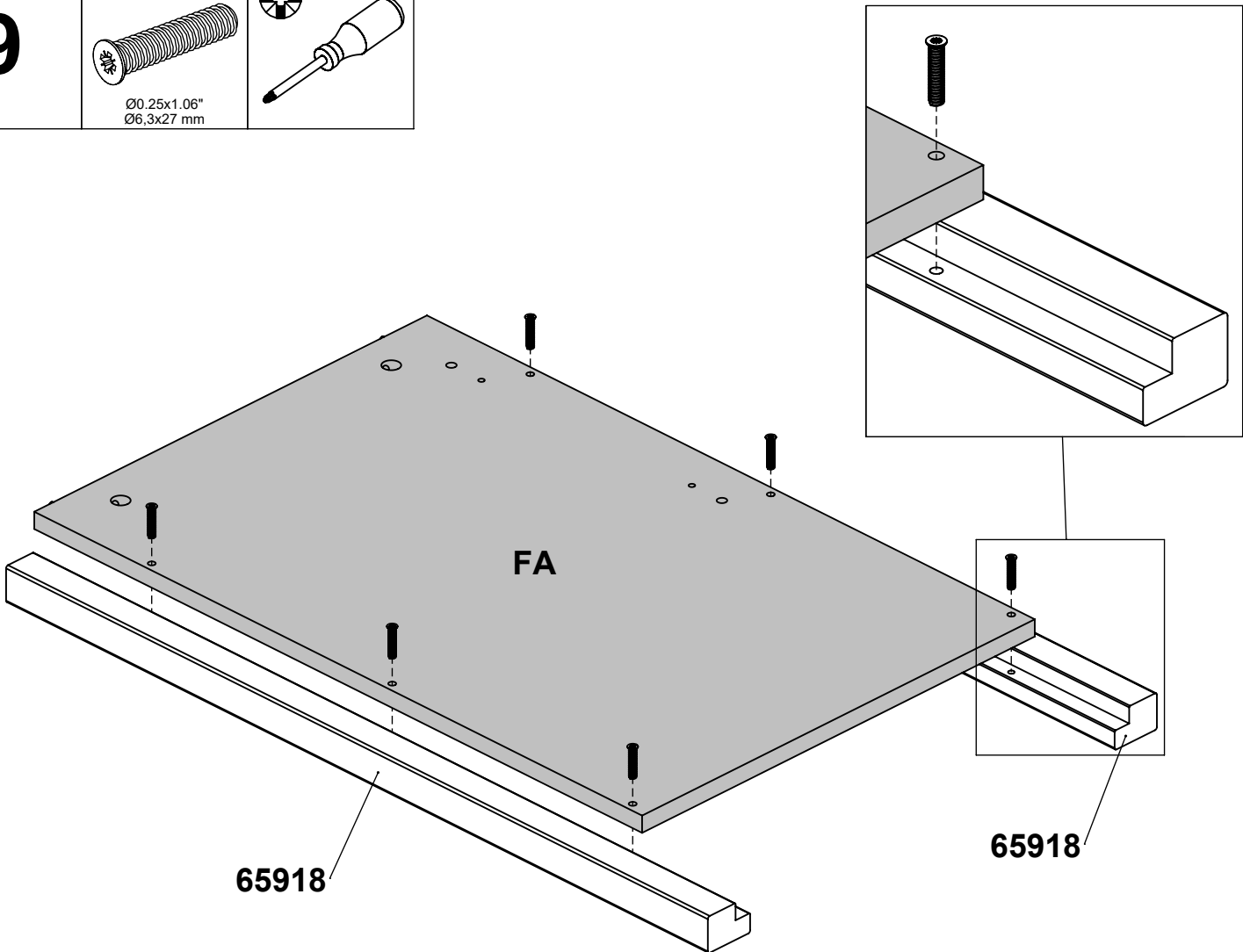
Ø0.2x1.18"  
Ø5x30 mm



**9**

0126033 **x6**

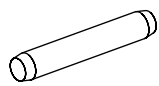
Ø0.25x1.06"  
Ø6.3x27 mm



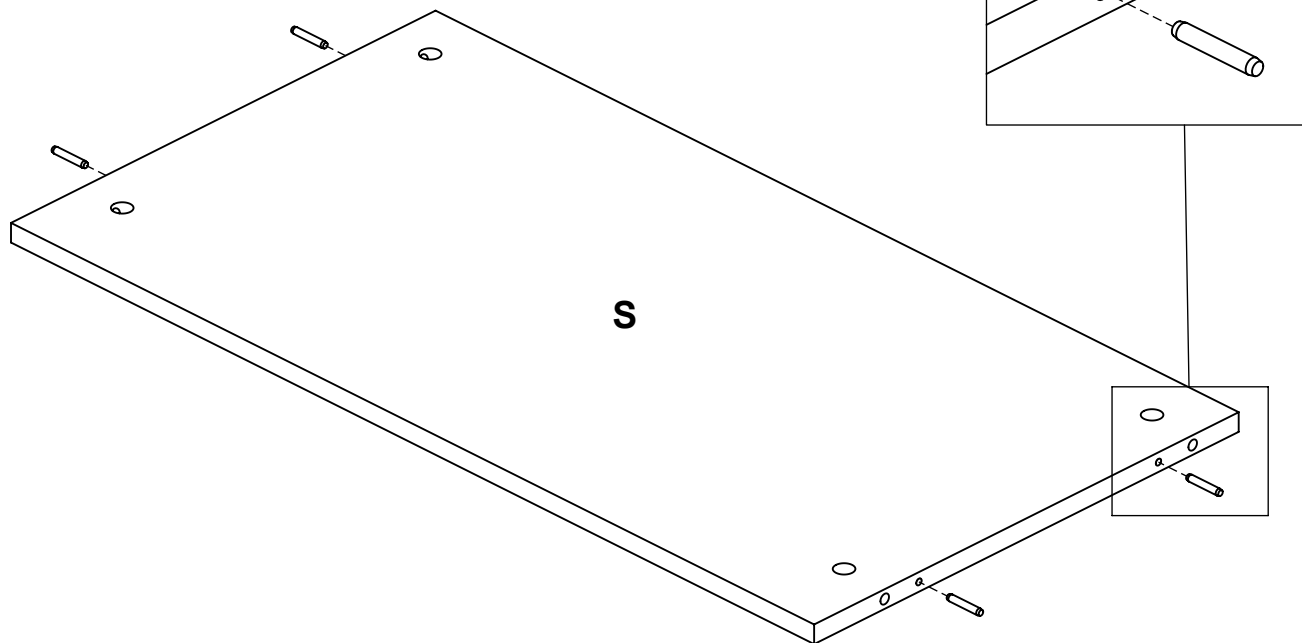
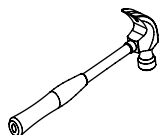
# 10

0120203

x4



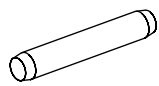
Ø0.2x1.18"  
Ø5x30 mm



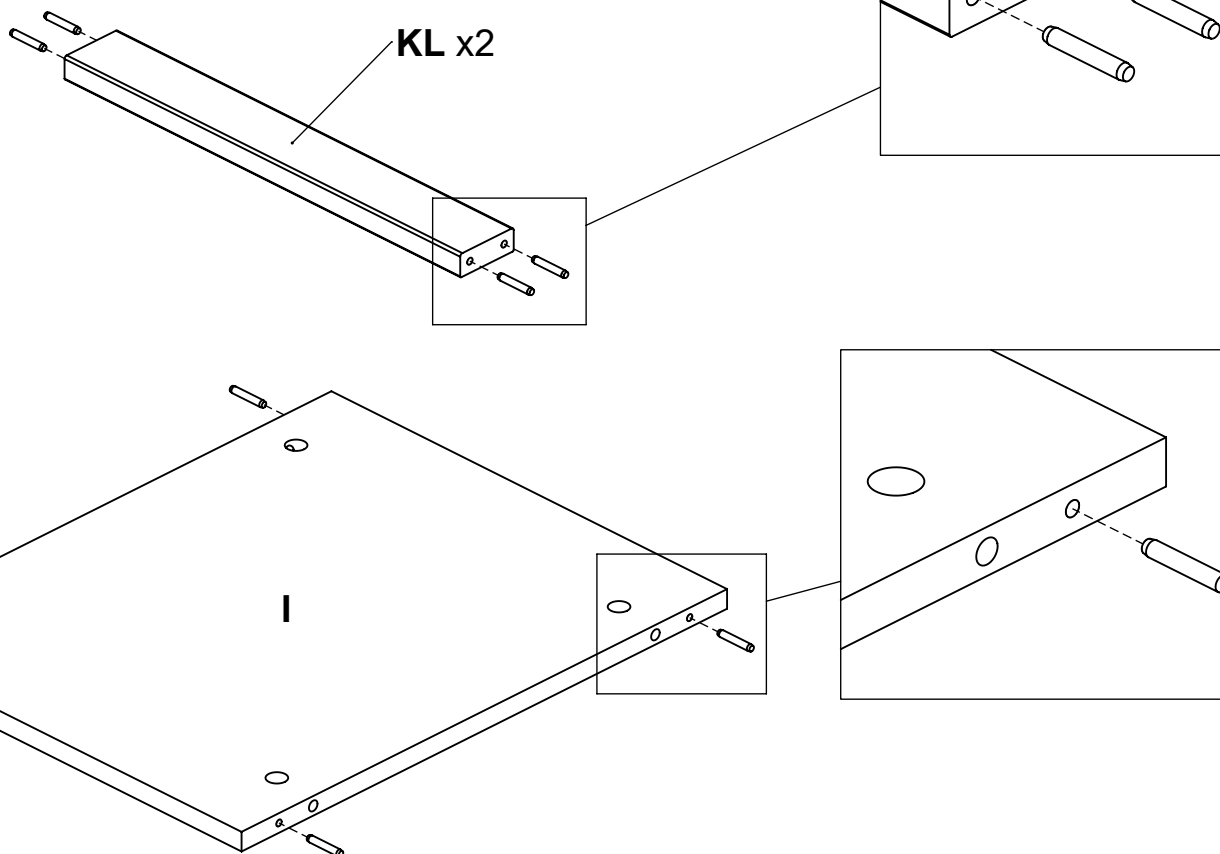
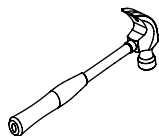
# 11

0120203

x12



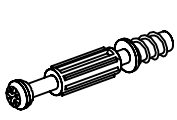
Ø0.2x1.18"  
Ø5x30 mm



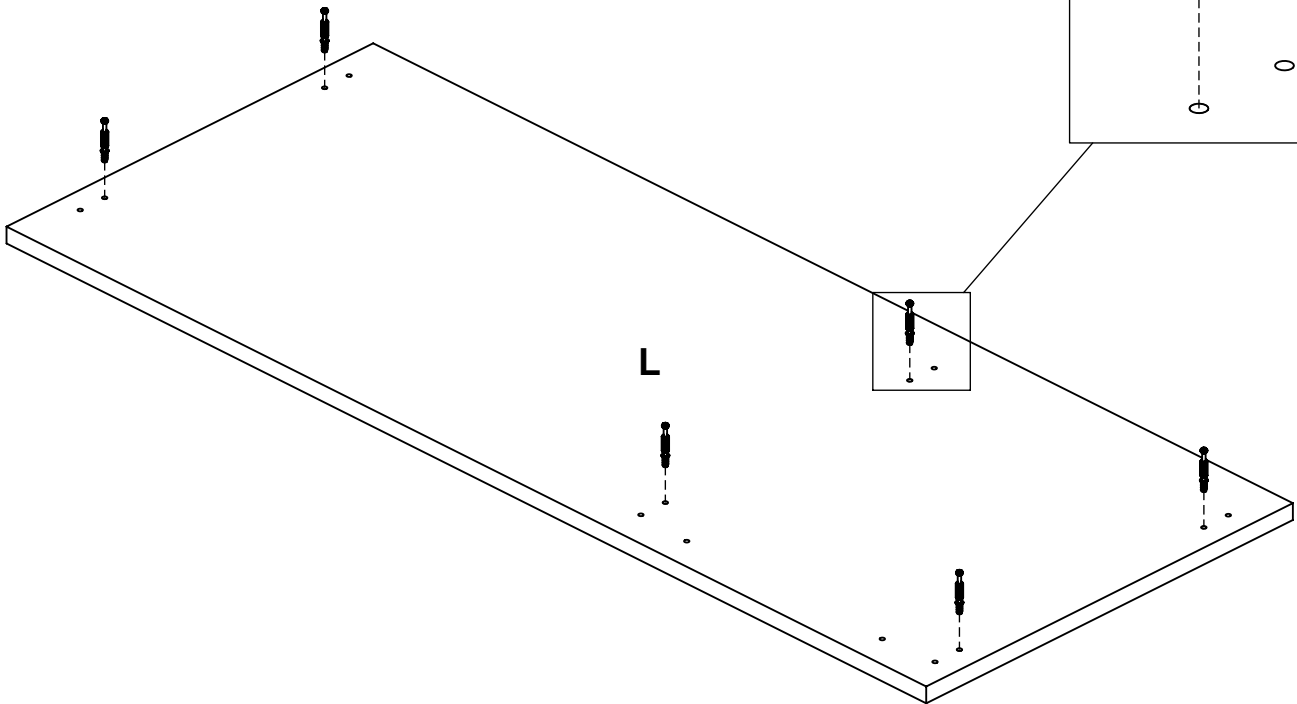
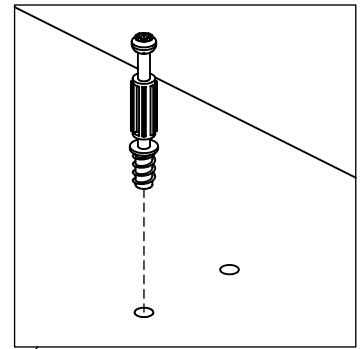
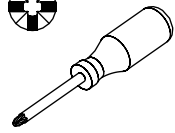
# 12

0131513

x6



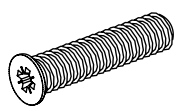
Ø0.30x1.73/1.34"  
Ø7,5x44/34 mm



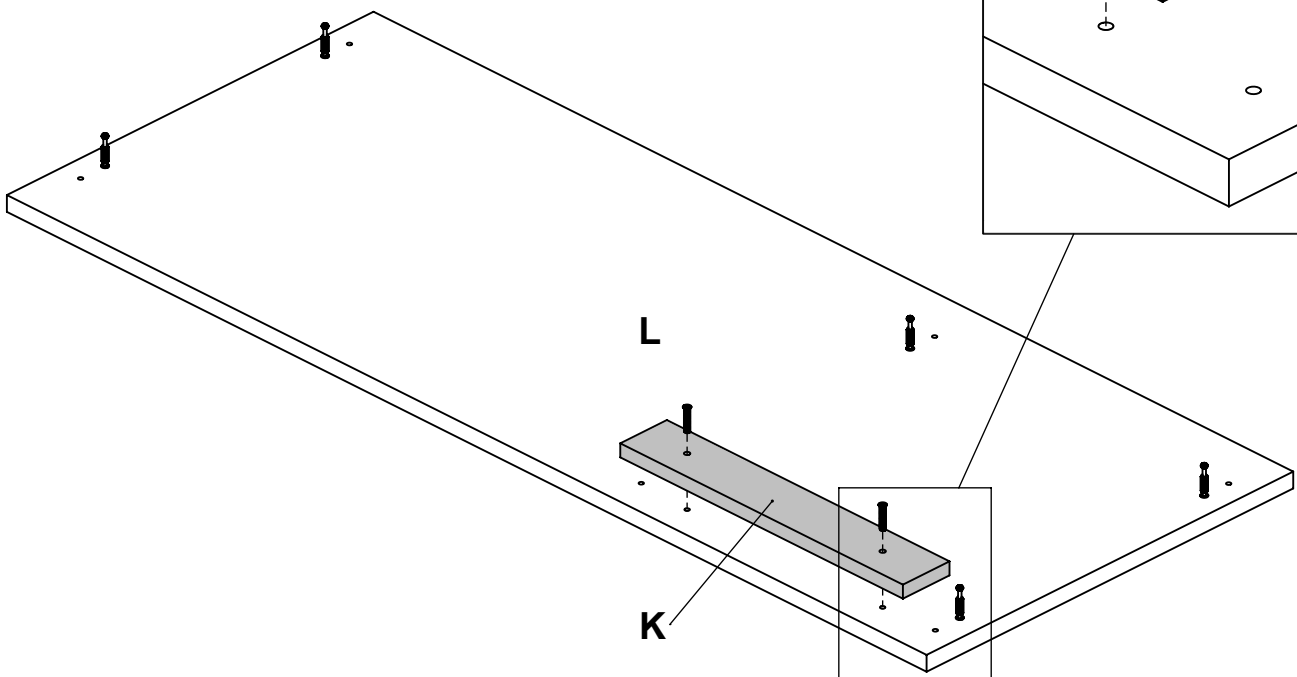
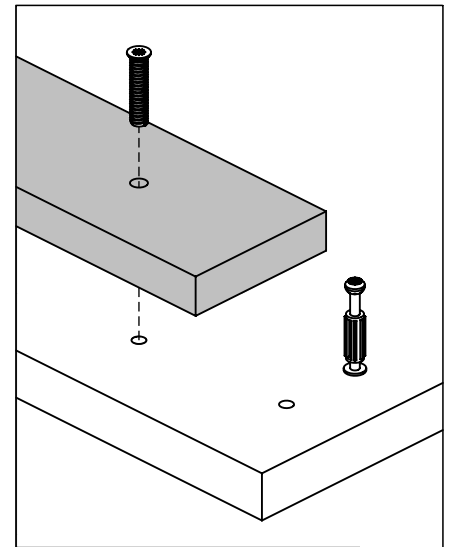
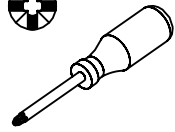
# 13

0126033

x2



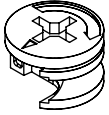
Ø0.25x1.06"  
Ø6,3x27 mm



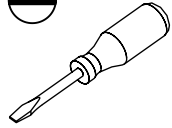
# 14

0131687

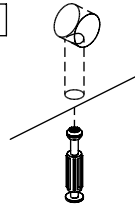
x2



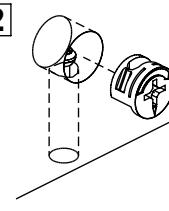
Ø0.59x0.37"  
Ø15x9,5 mm



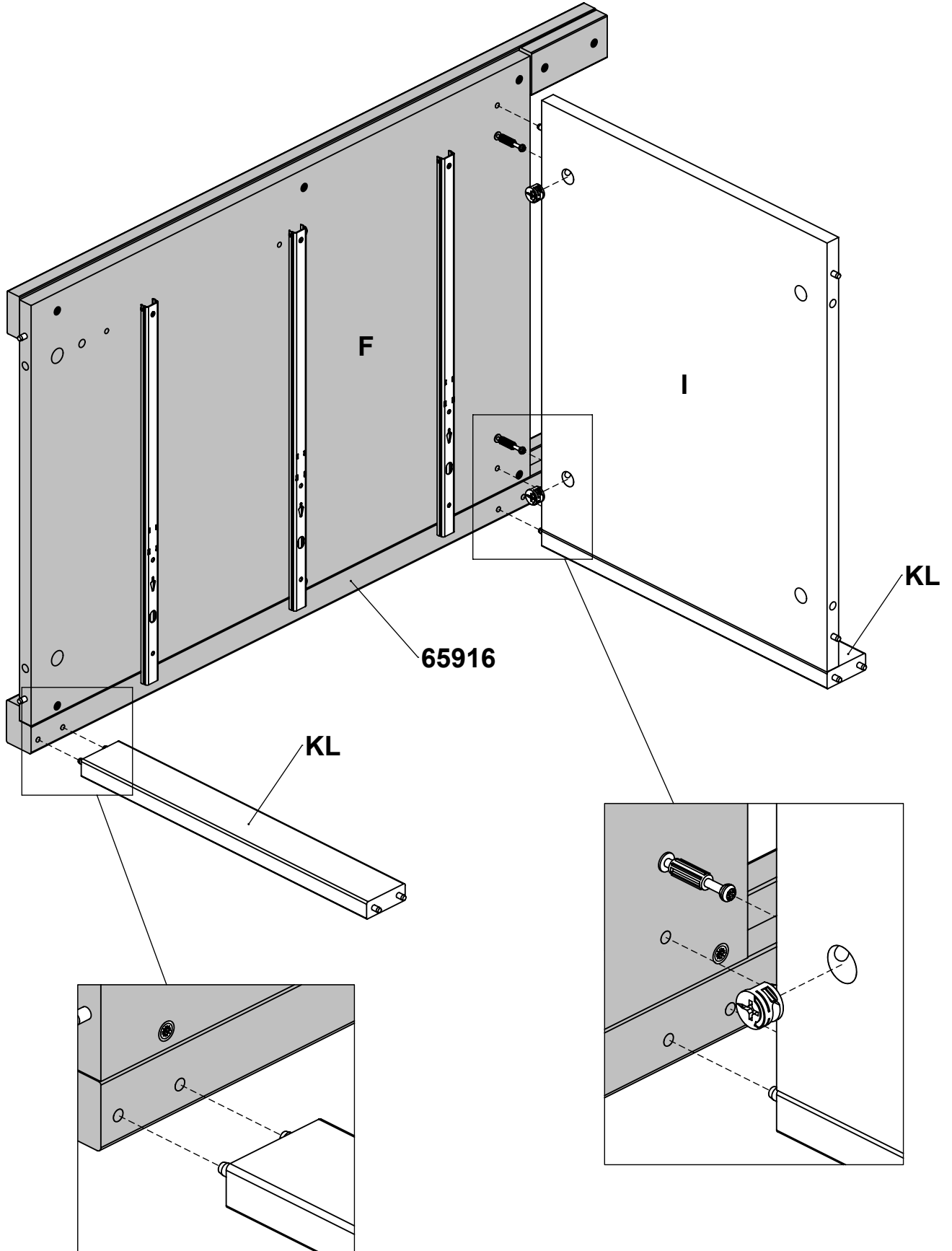
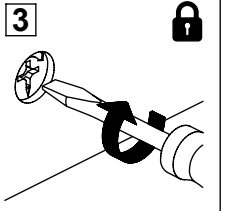
1



2



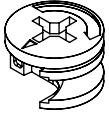
3



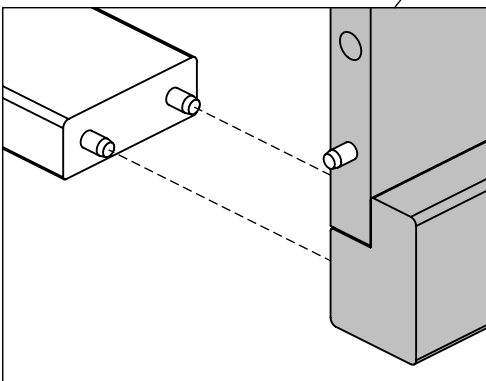
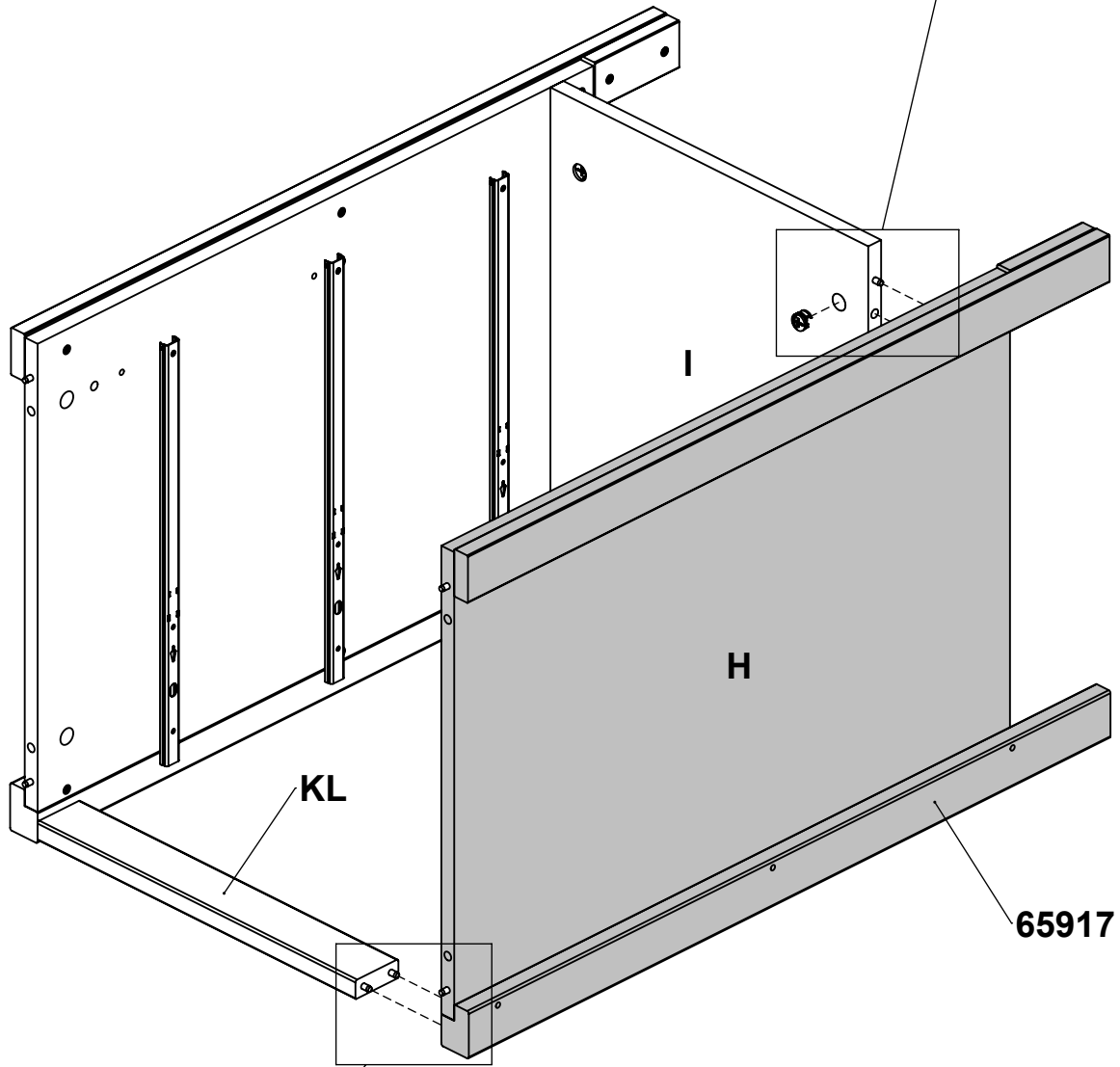
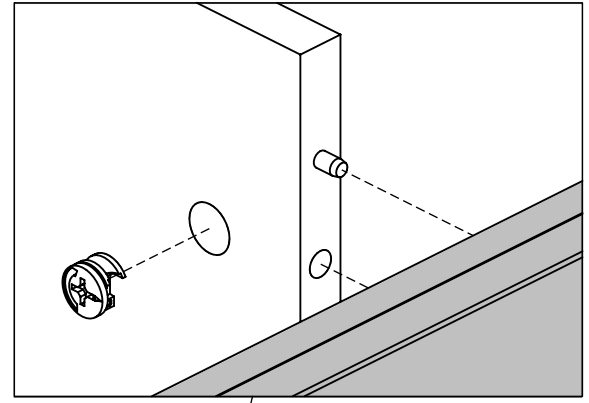
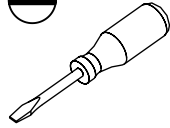
# 15

0131687

x2



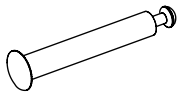
Ø0.59x0.37"  
Ø15x9,5 mm



# 16

0131561

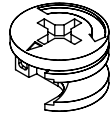
x4



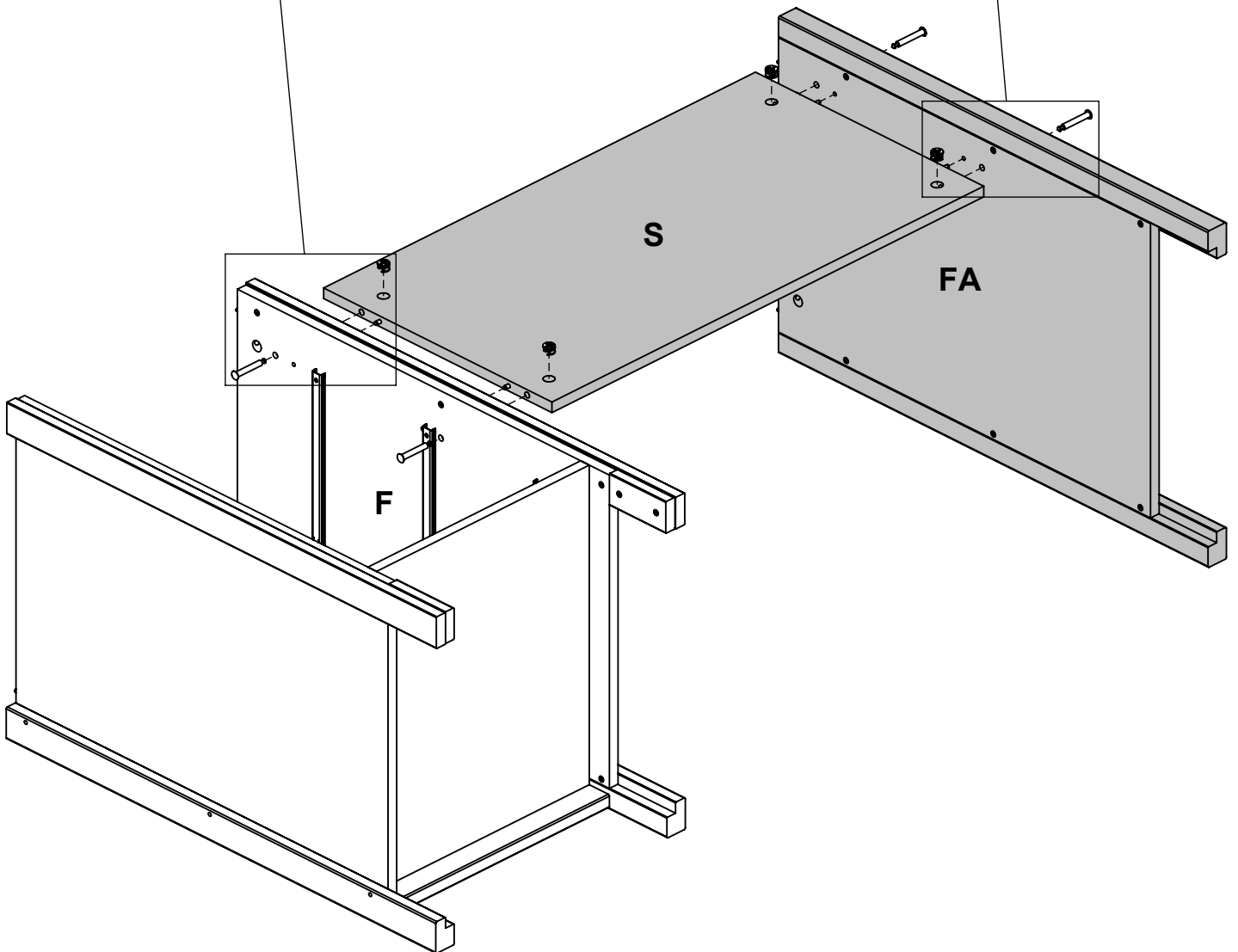
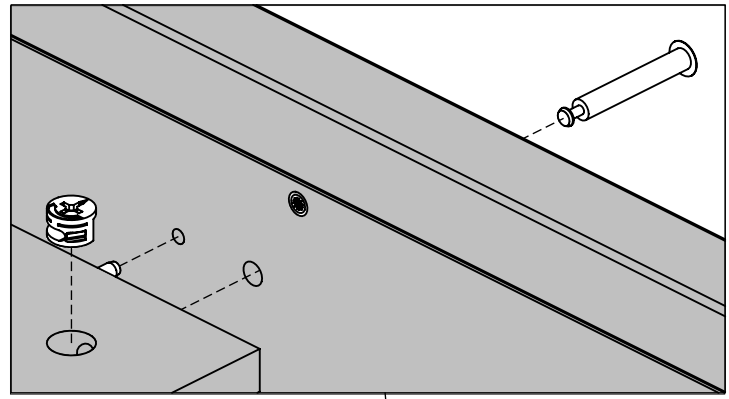
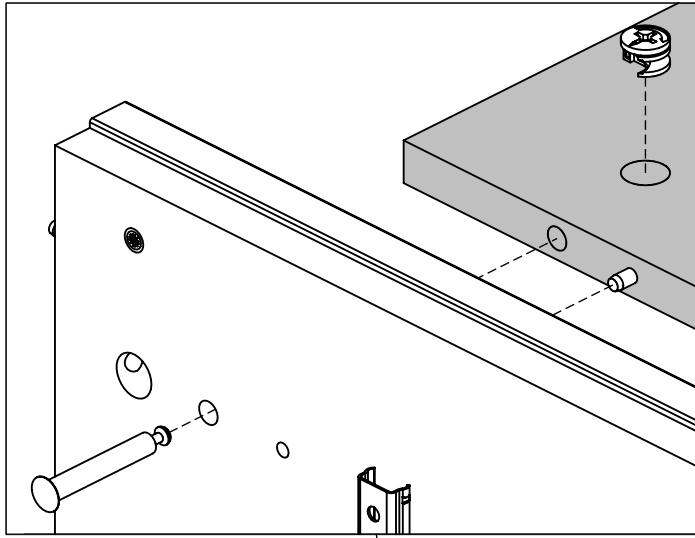
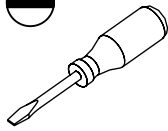
Ø0.28x2.02"  
Ø7x51,3 mm

0131687

x4



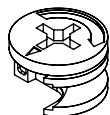
Ø0.59x0.37"  
Ø15x9,5 mm



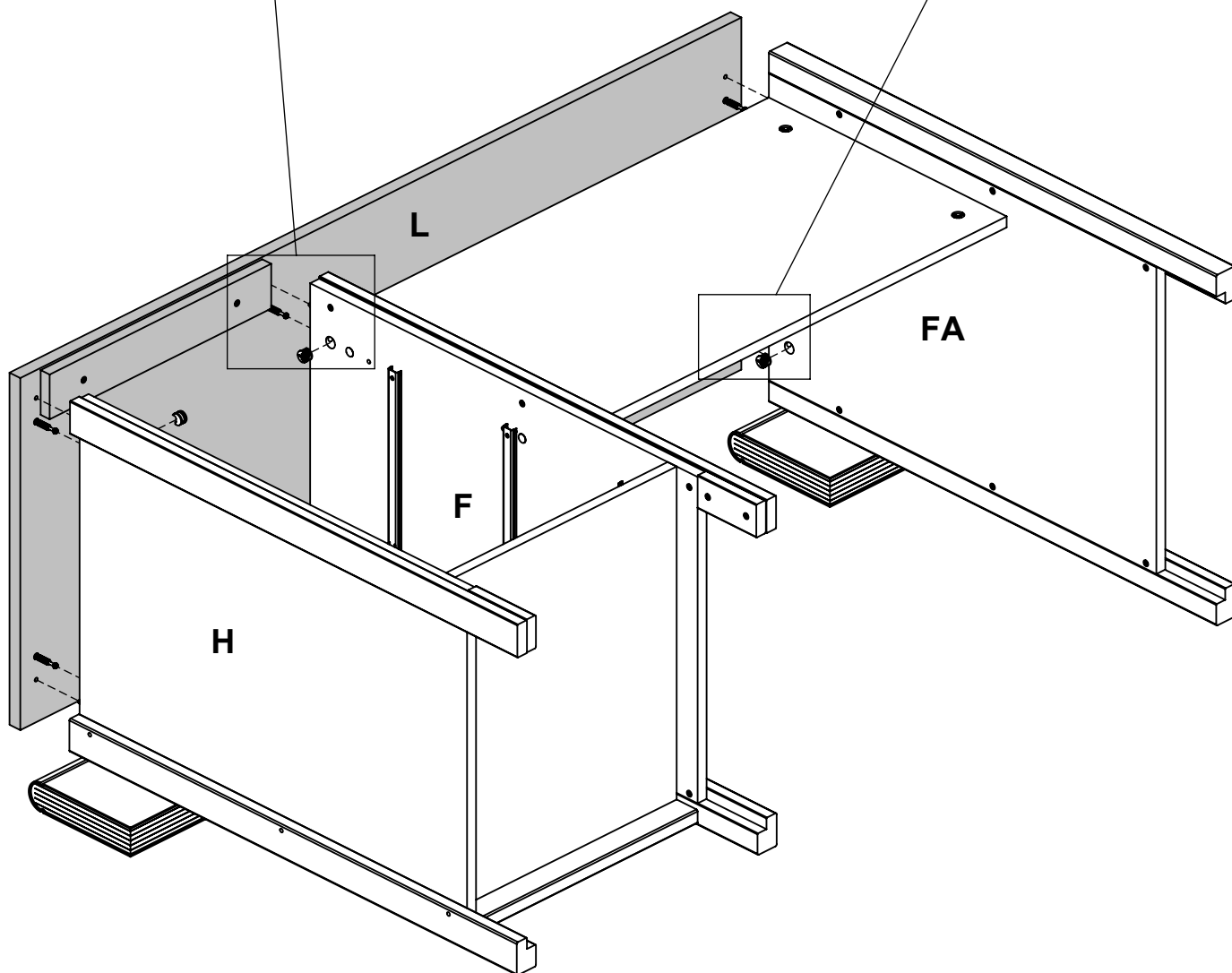
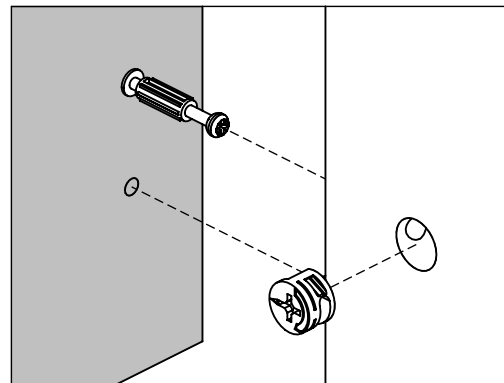
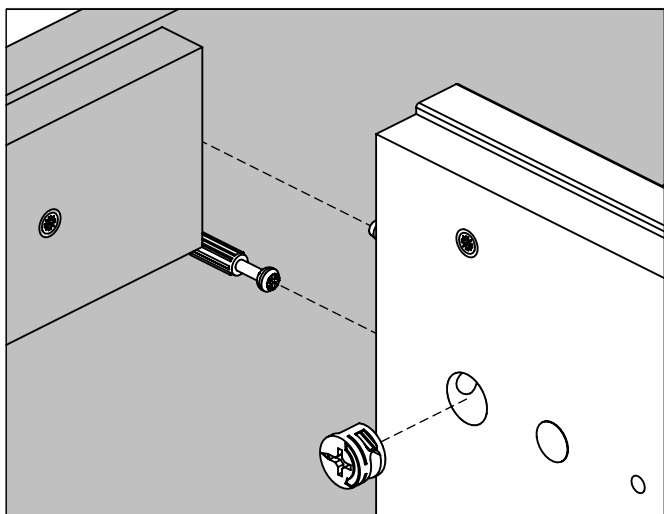
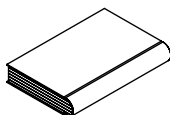
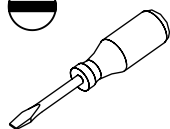
# 17

0131687

x6



Ø0.59x0.37"  
Ø15x9,5 mm



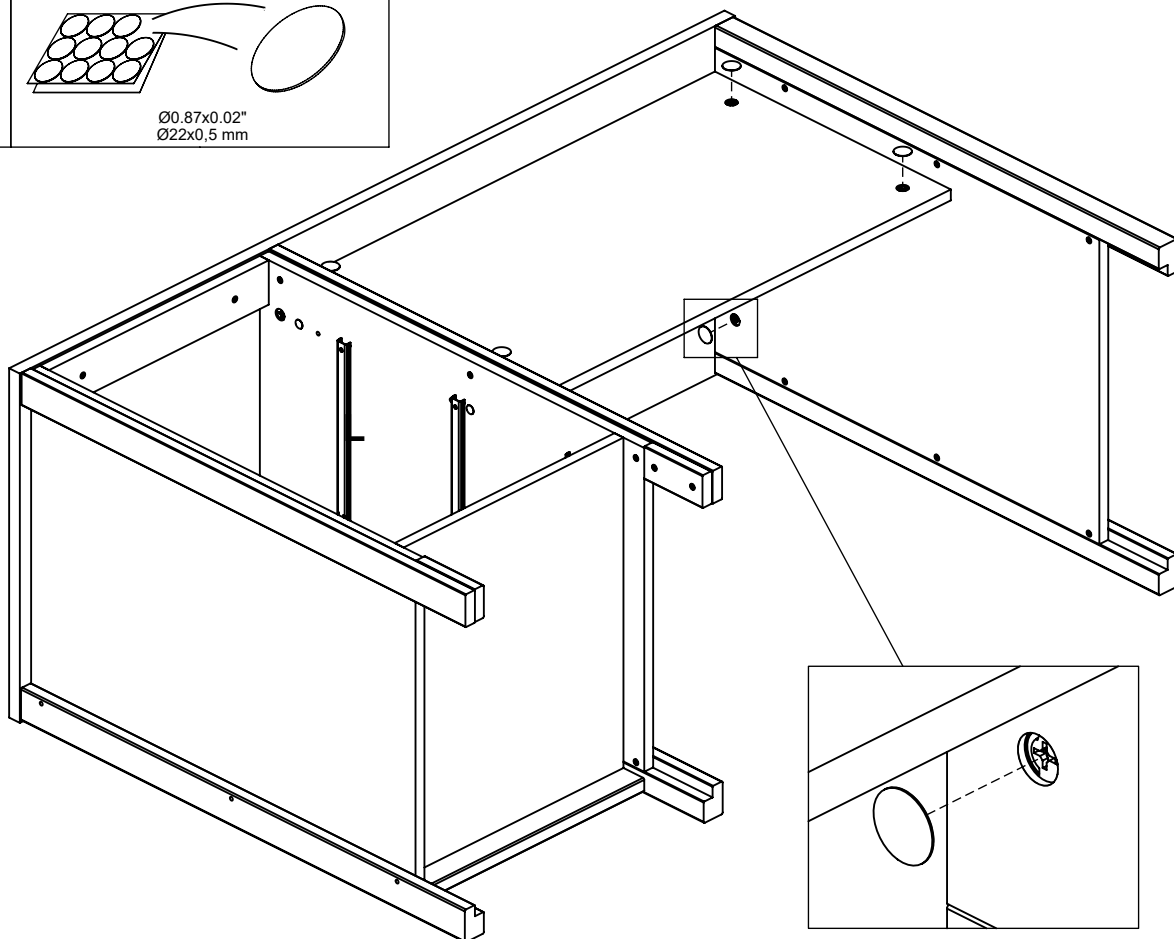
# 18

0110901

x6



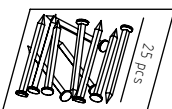
Ø0.87x0.02"  
Ø22x0,5 mm



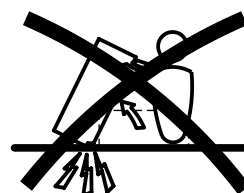
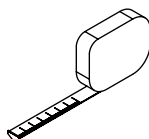
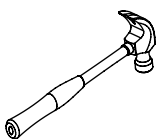
# 19

0123006

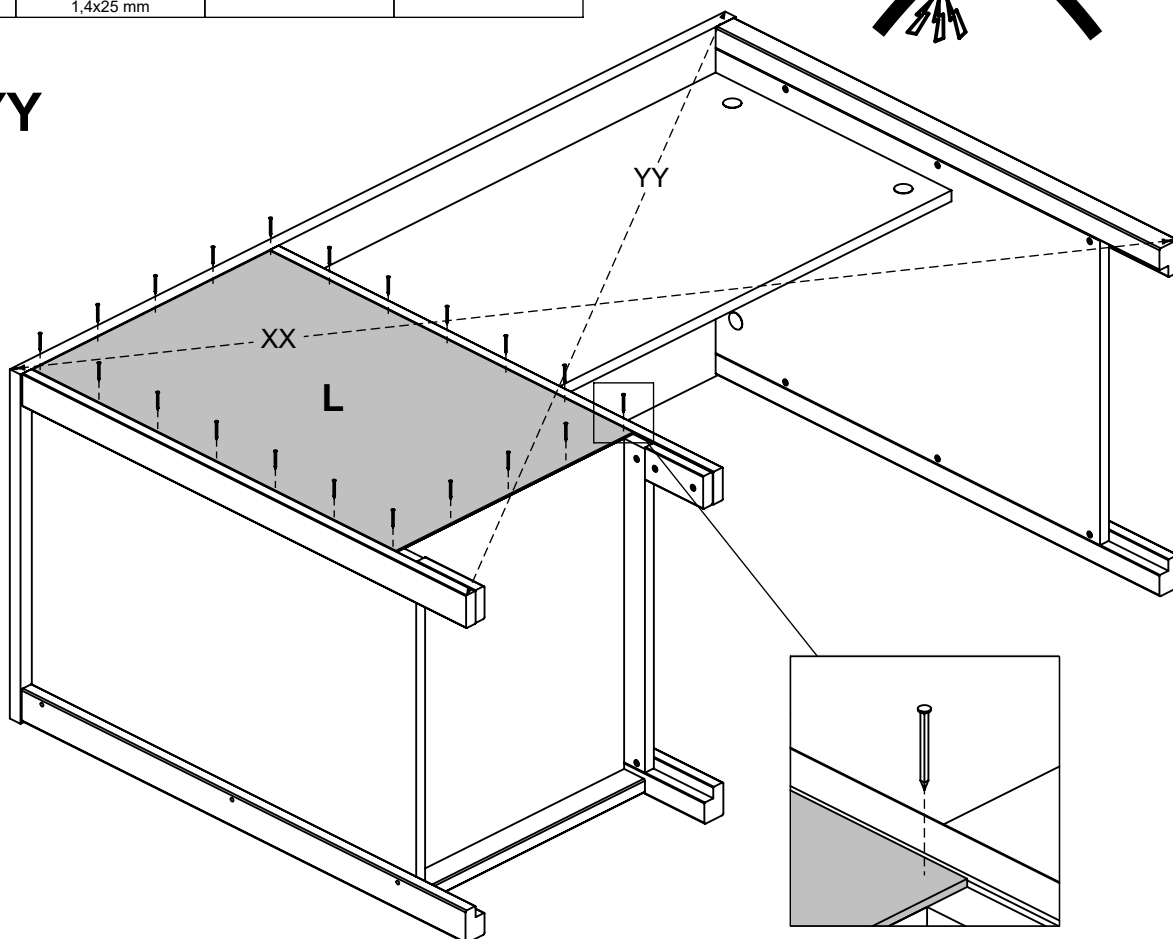
x1

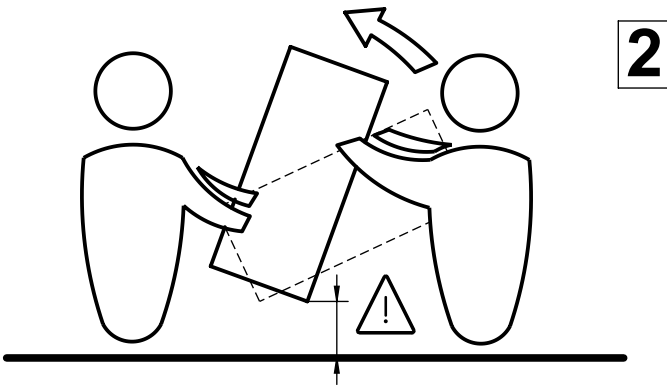
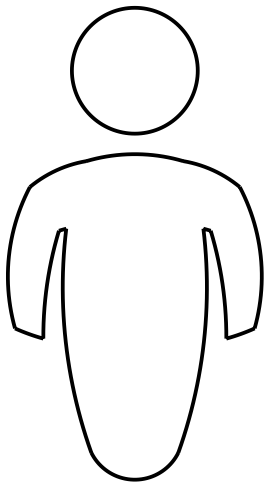
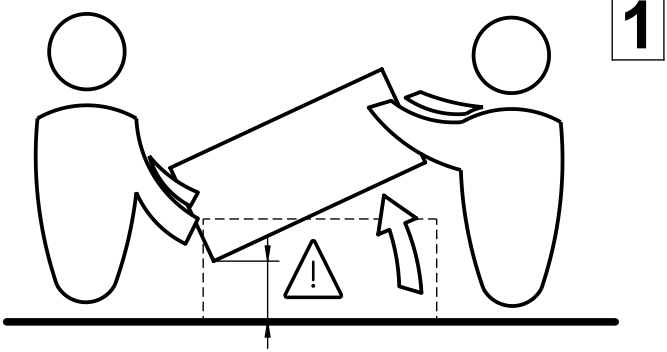
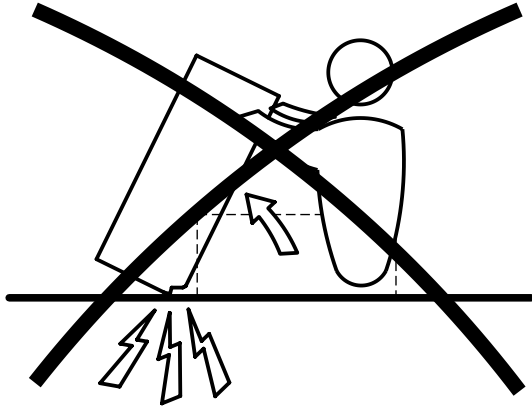


0.06x0.98"  
1,4x25 mm

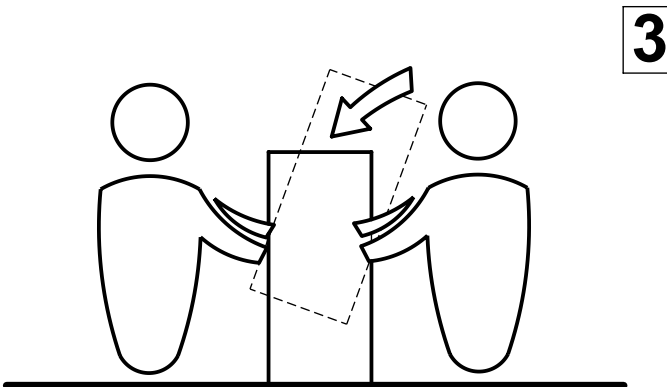


## XX = YY





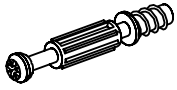
x2



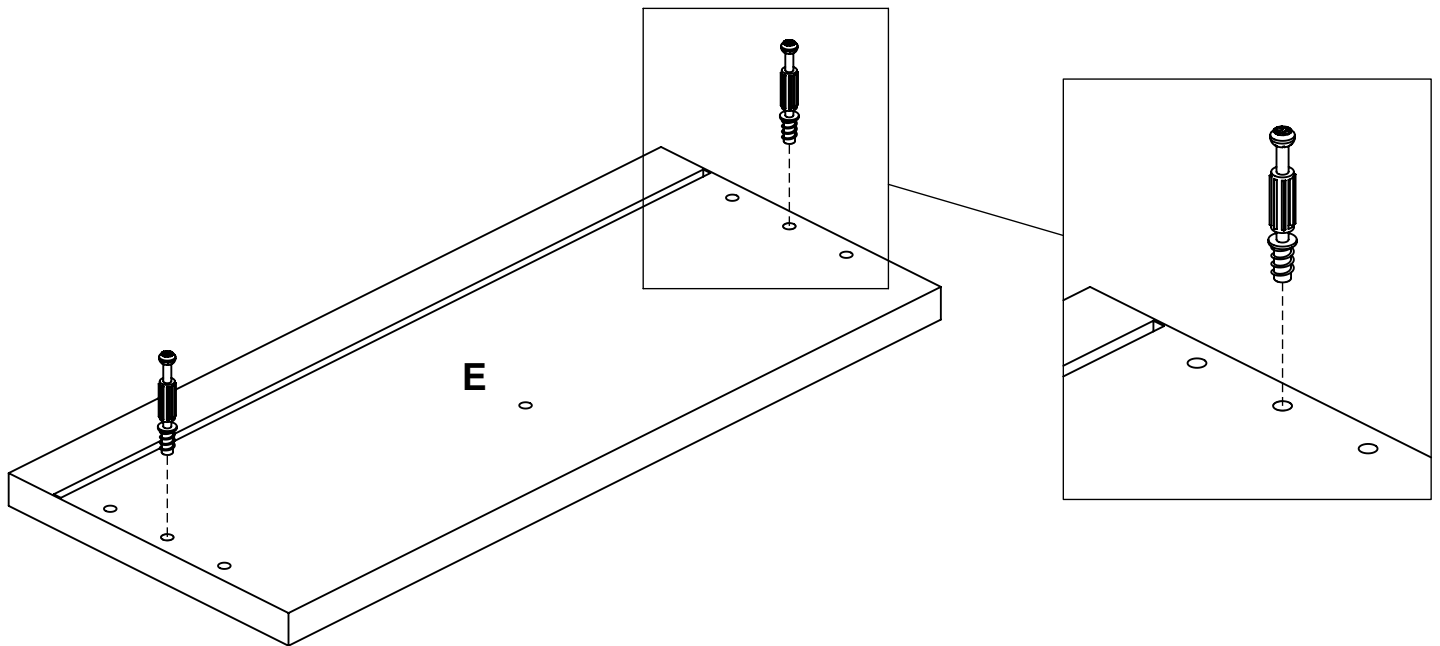
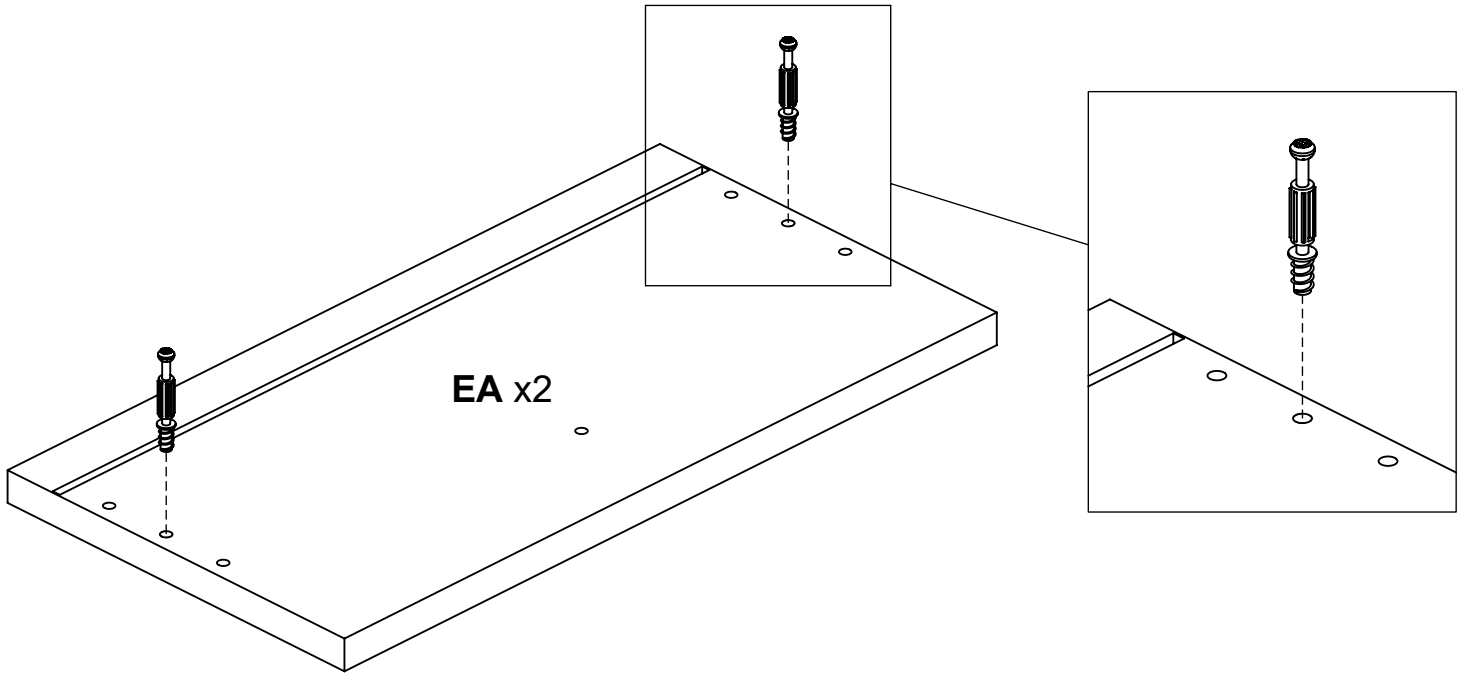
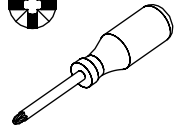
# 20

0131513

x6



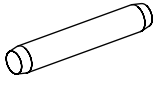
Ø0.30x1.73/1.34"  
Ø7,5x44/34 mm



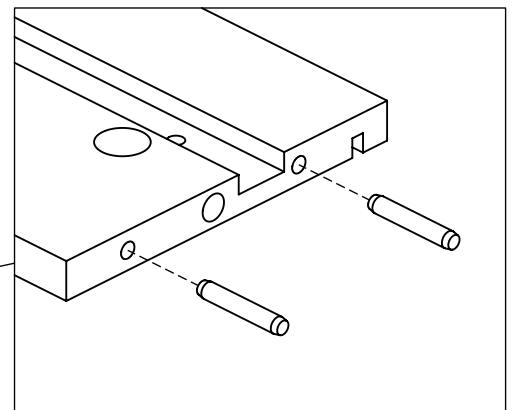
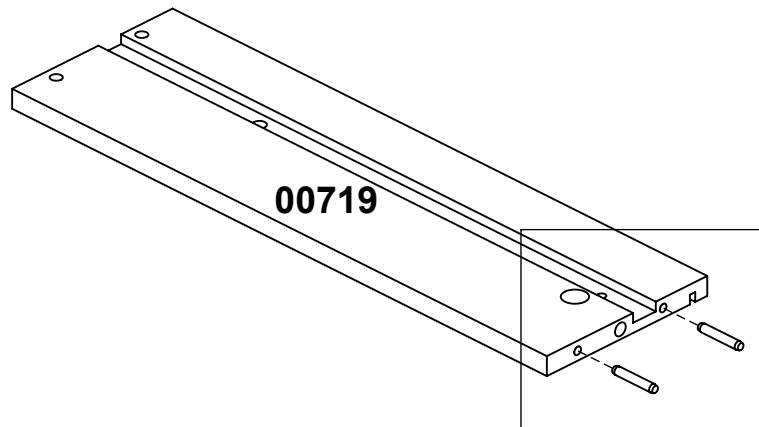
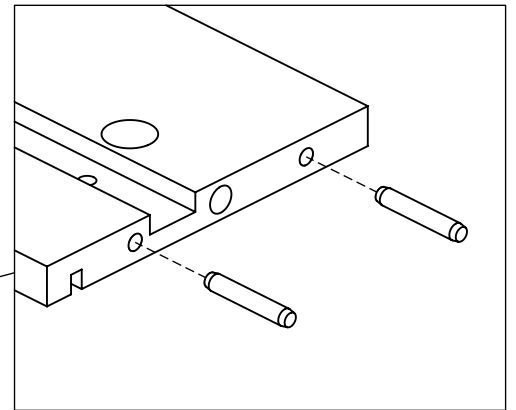
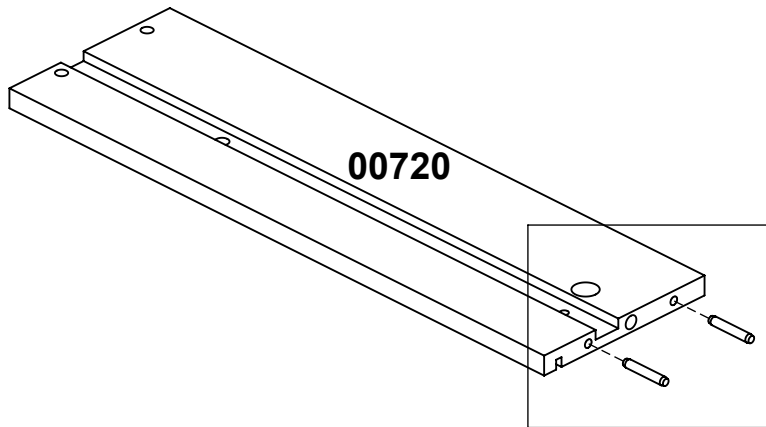
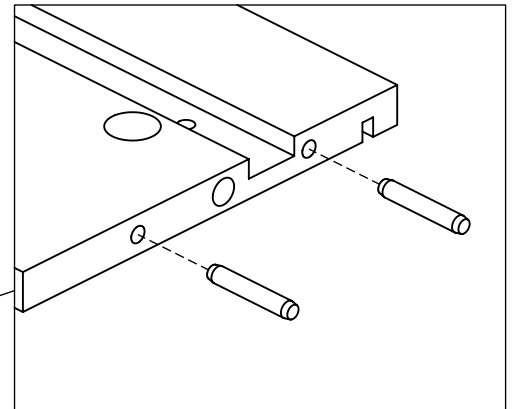
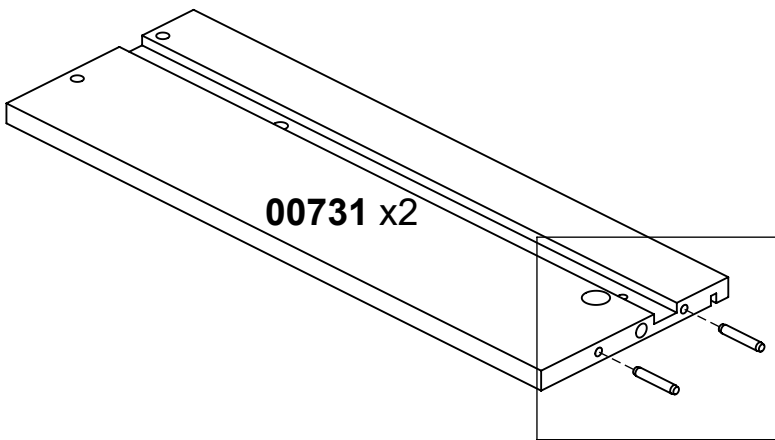
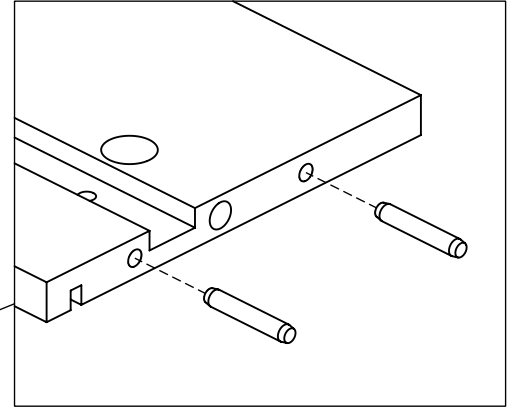
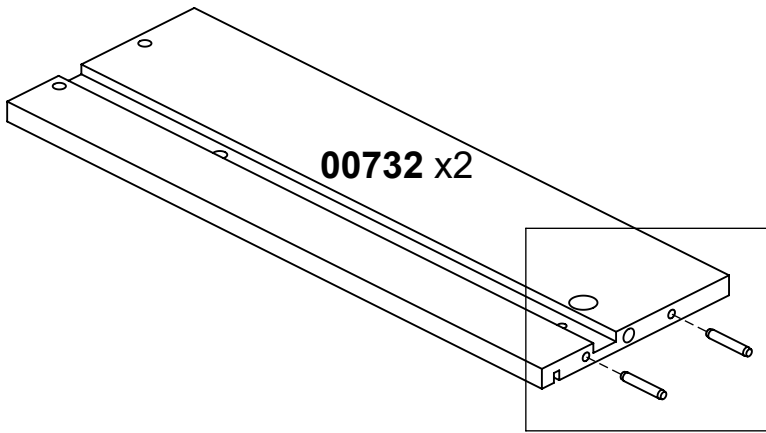
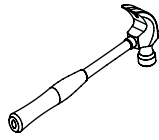
# 21

0120203

x12



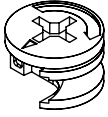
Ø0.2x1.18"  
Ø5x30 mm



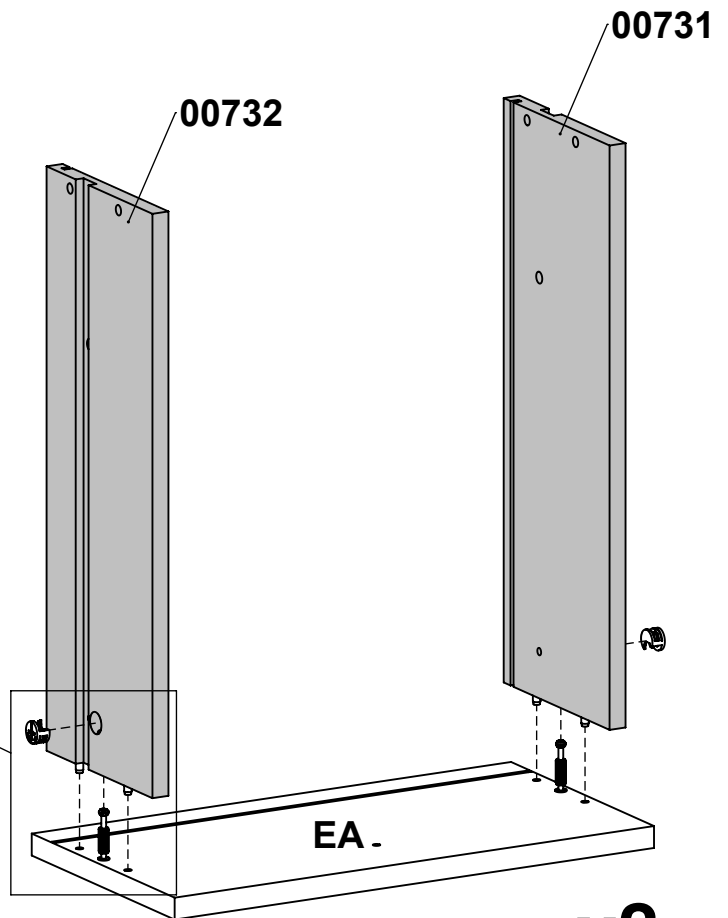
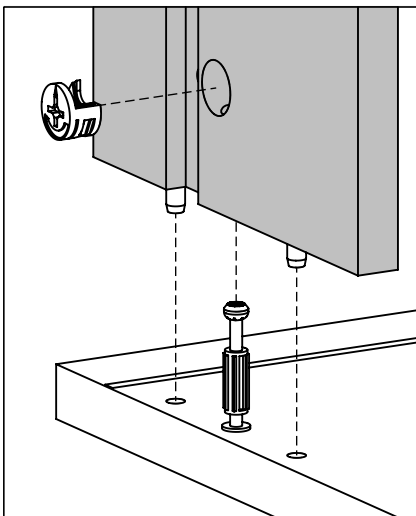
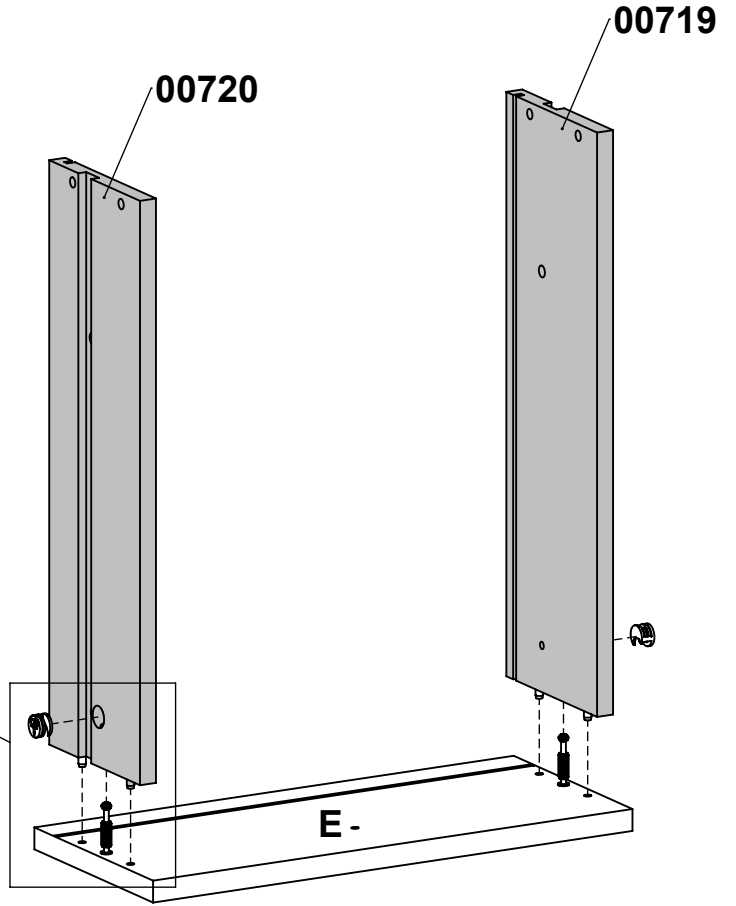
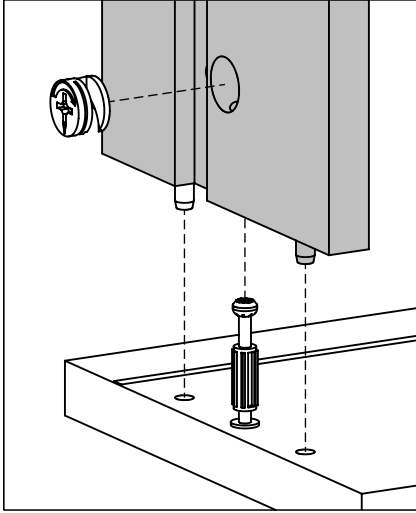
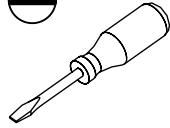
# 22

0131687

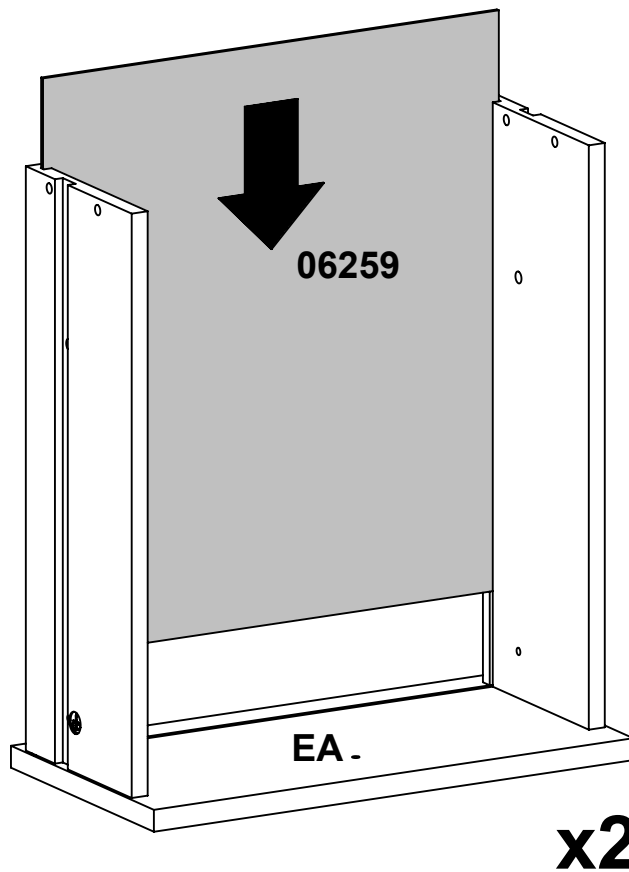
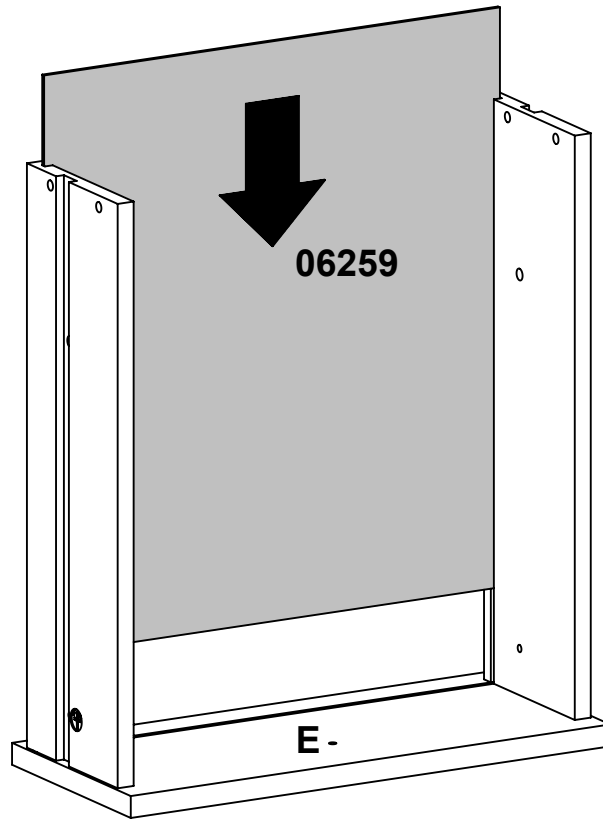
x6



Ø0.59x0.37"  
Ø15x9,5 mm



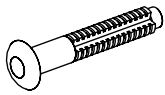
# x2



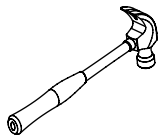
# 24

0120228

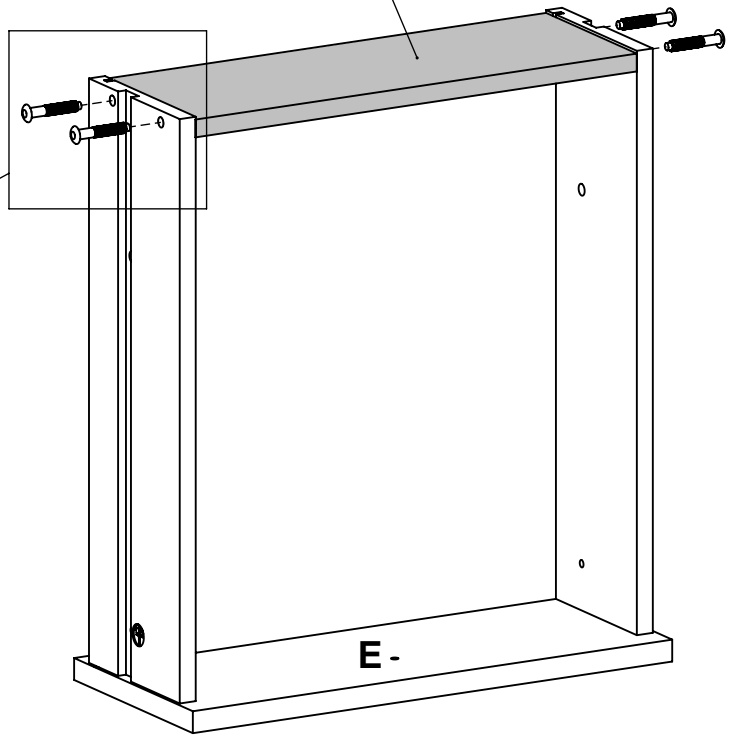
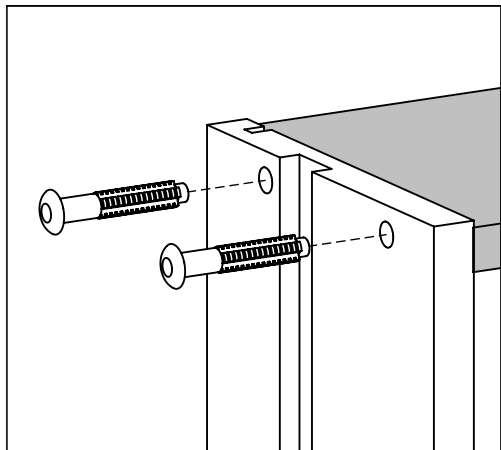
x12



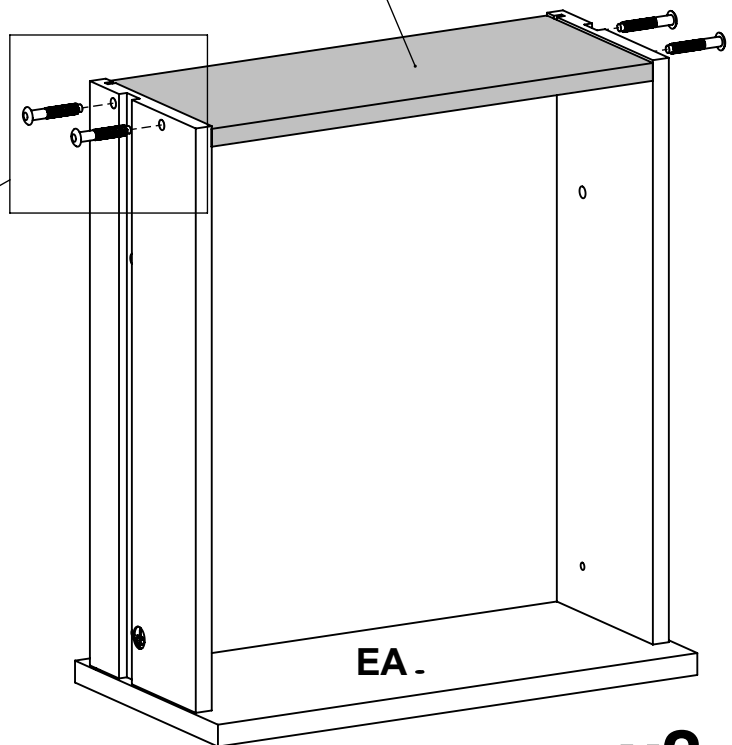
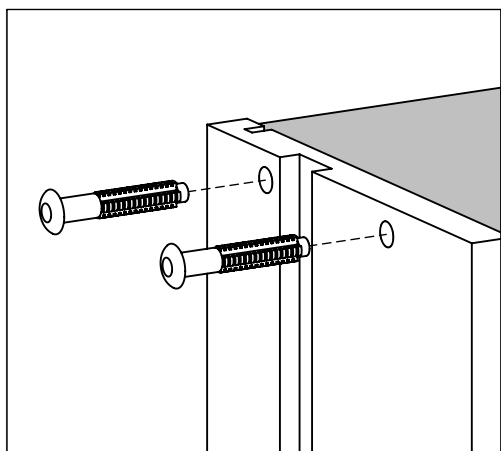
Ø0.25x1.57"  
Ø6.3x40 mm



03314



03326

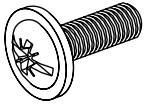


x2

# 25A

0126218

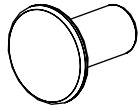
x3



M4x0.47"  
M4x12 mm

0132813

x3



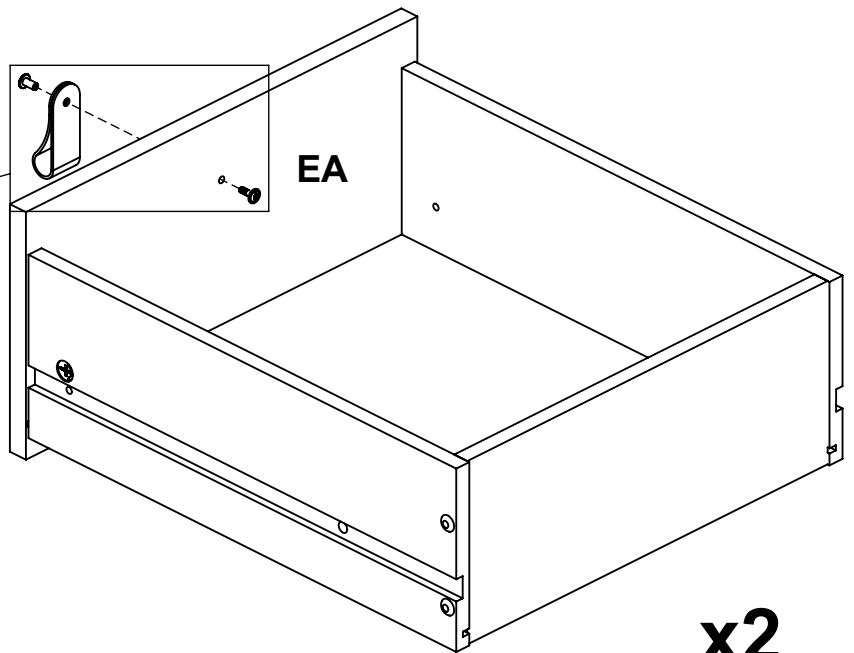
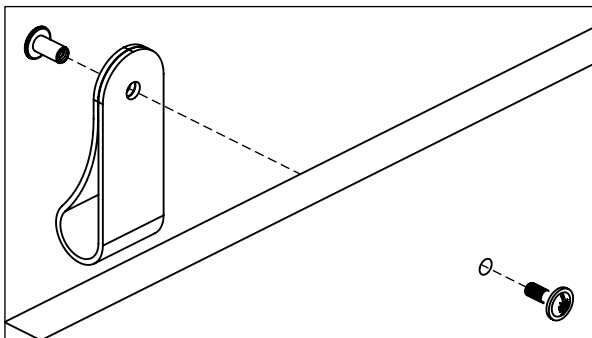
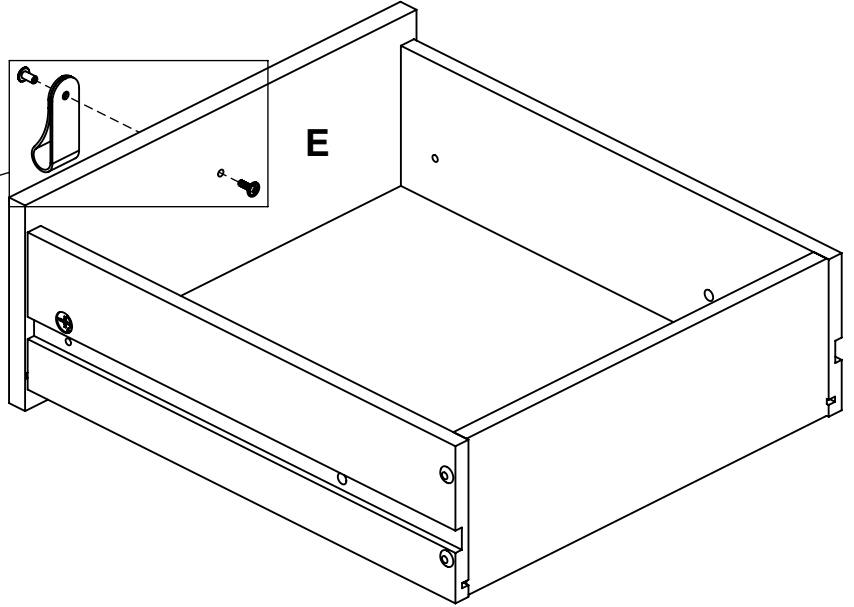
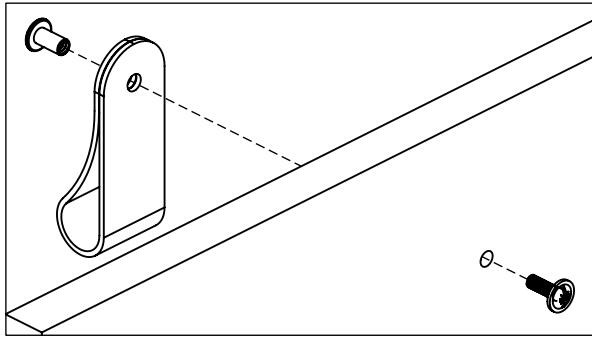
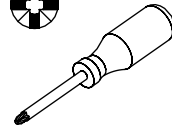
Ø0.39/Ø0.2x0.45/0.39"  
Ø10/Ø5x11.5/10 mm

0180115

x3



5.91x0.98x0.07"  
150x25x1.8 mm

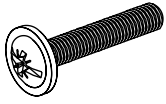


x2

# 25B

0126230

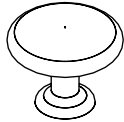
x3



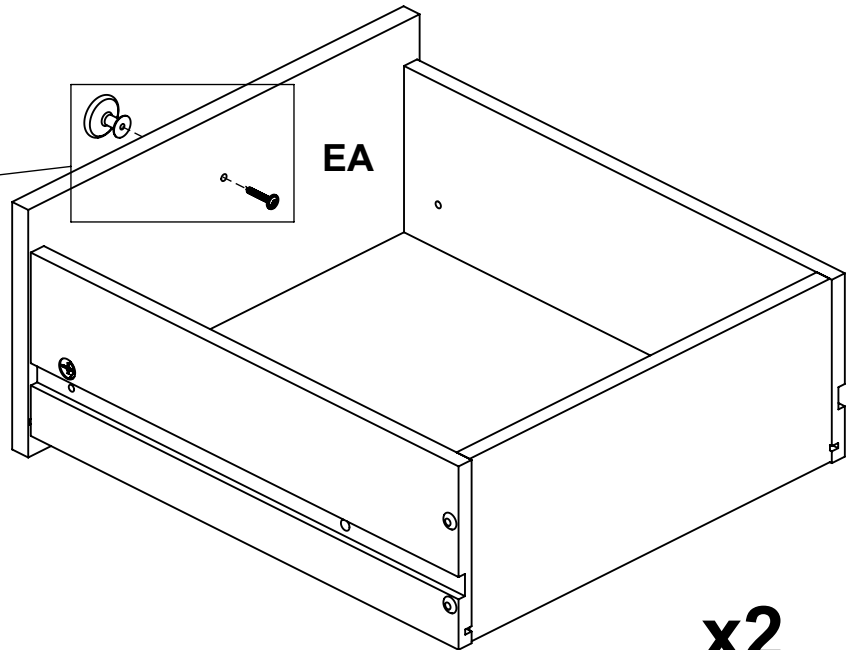
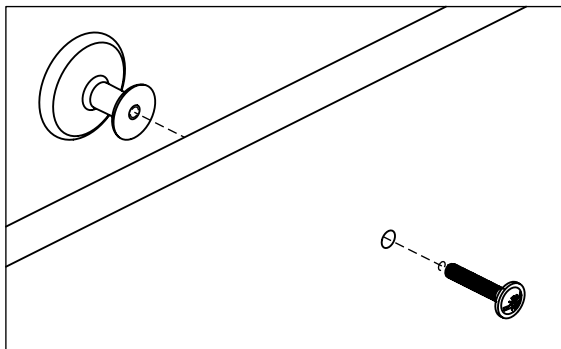
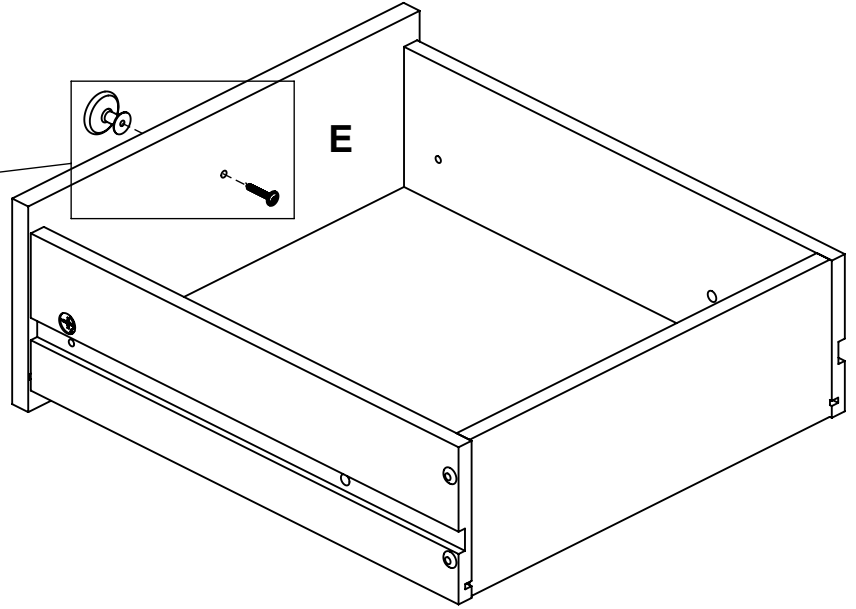
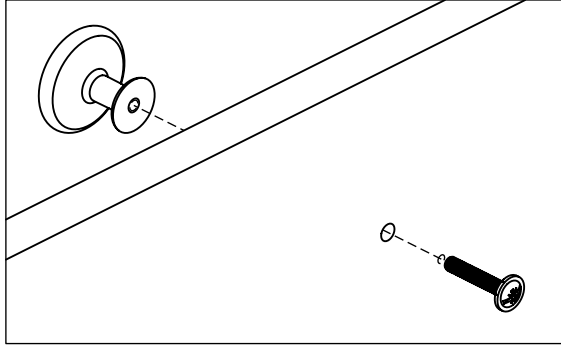
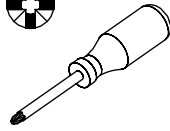
M4x0.87"  
M4x22 mm

BA10501

x3



Ø1.18x0.93"  
Ø30x23.5 mm

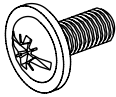


x2

# 26

0126214

x6



M4x0.35"  
M4x9 mm

