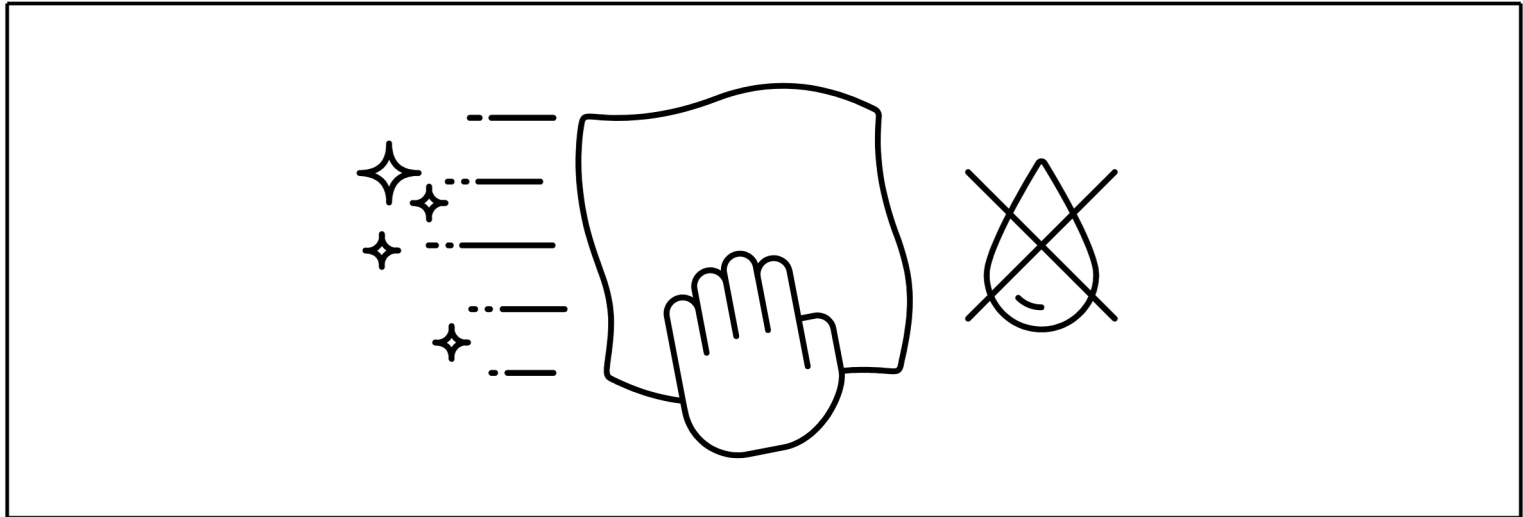
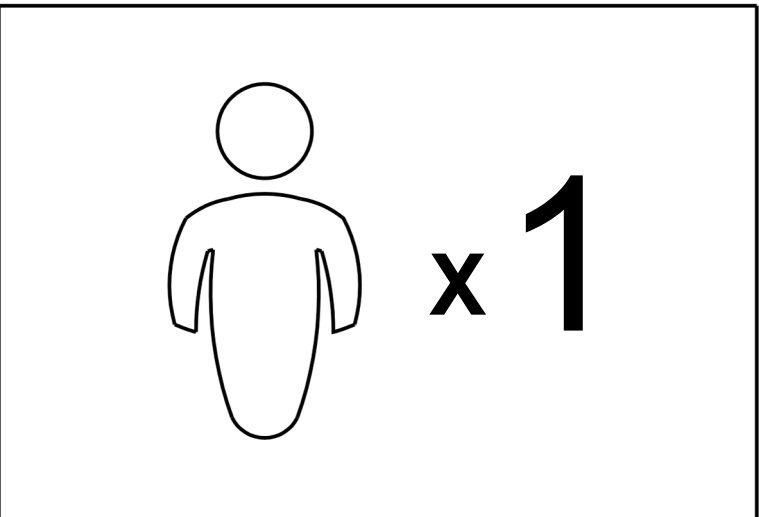
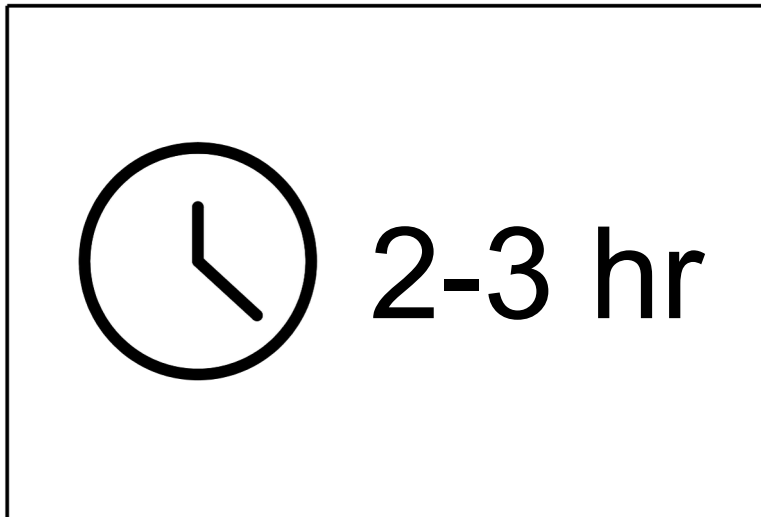
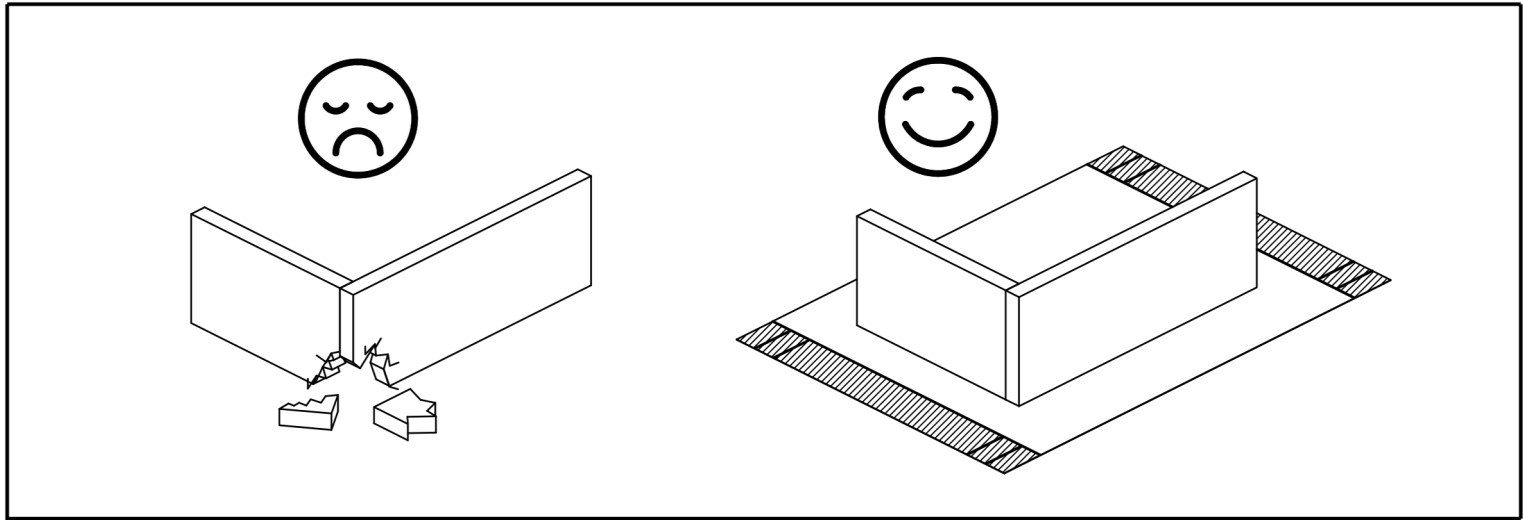
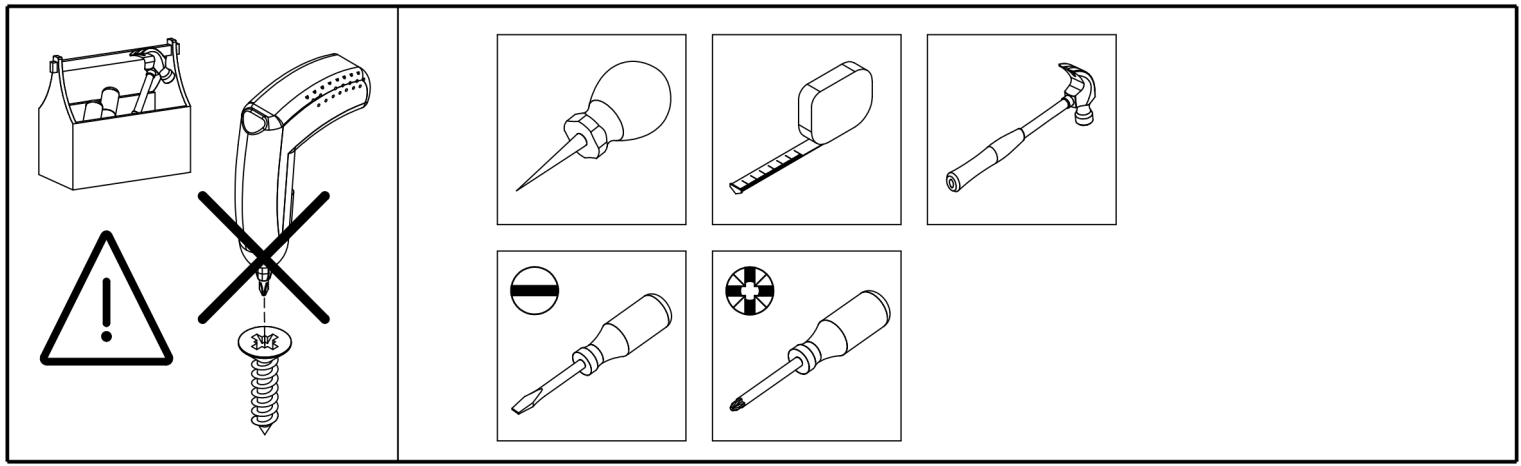
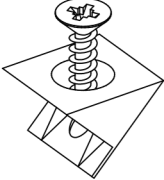
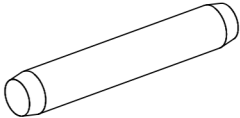
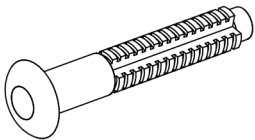
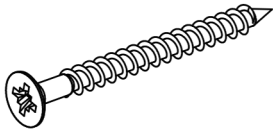
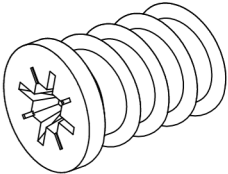
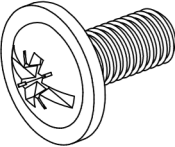
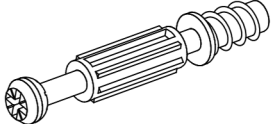
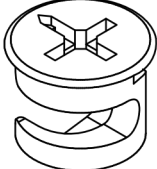
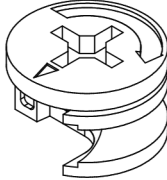
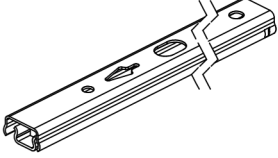
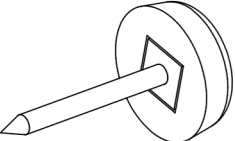
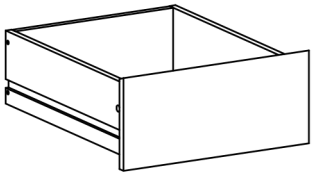
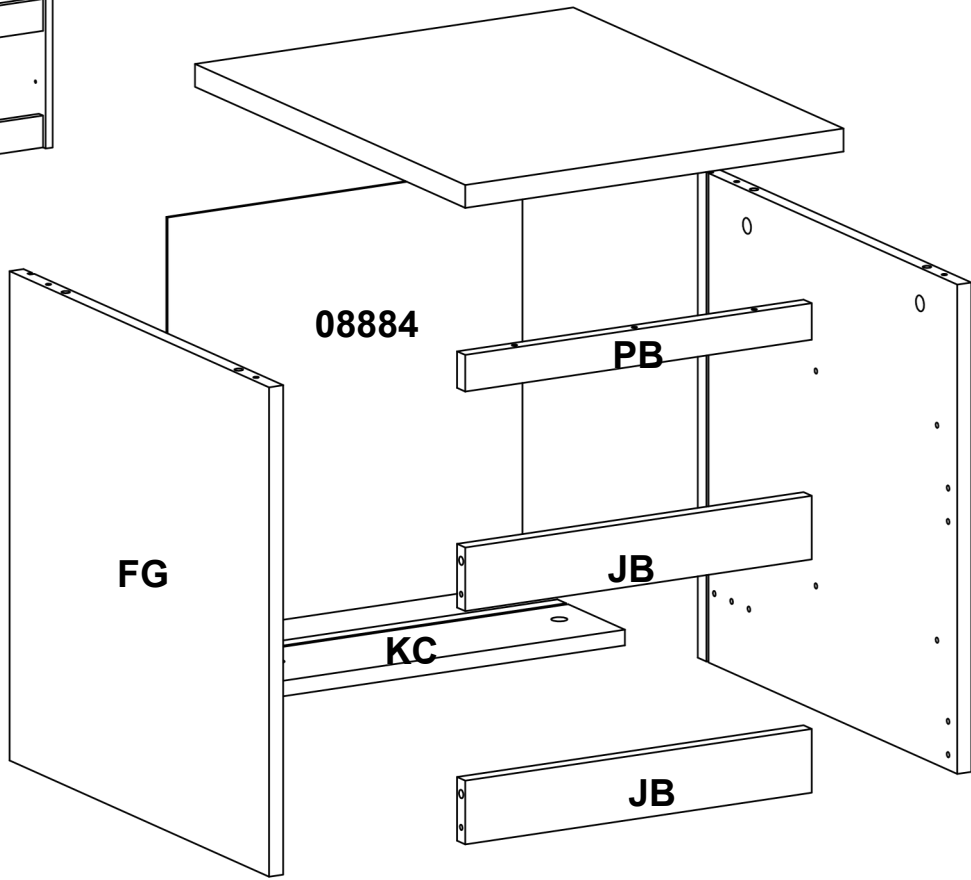
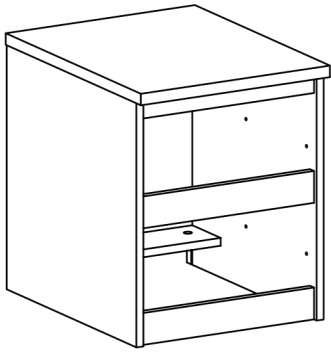


75222
76230

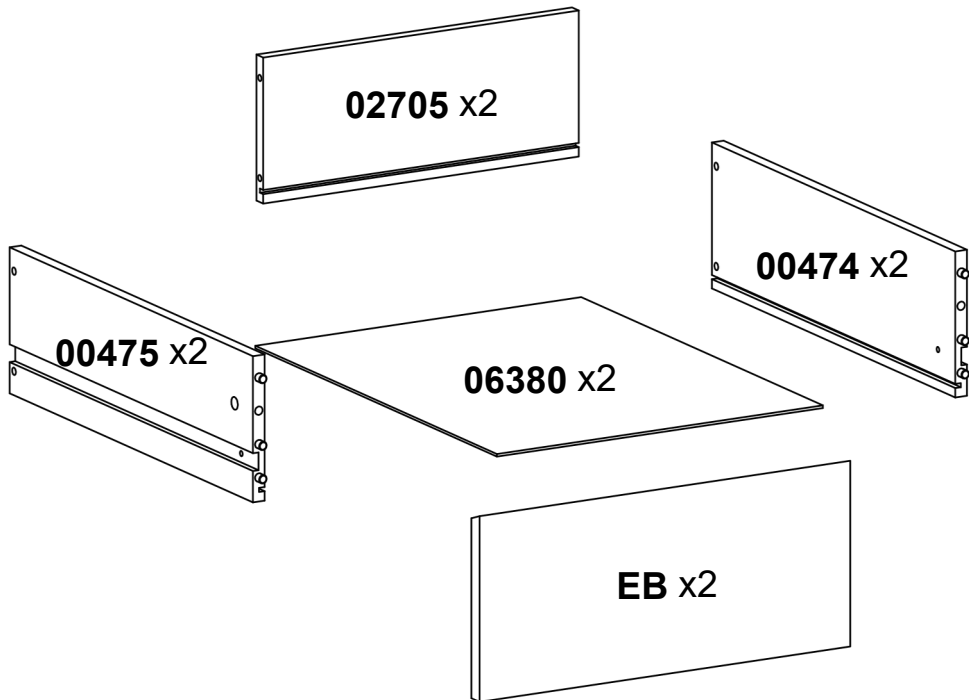


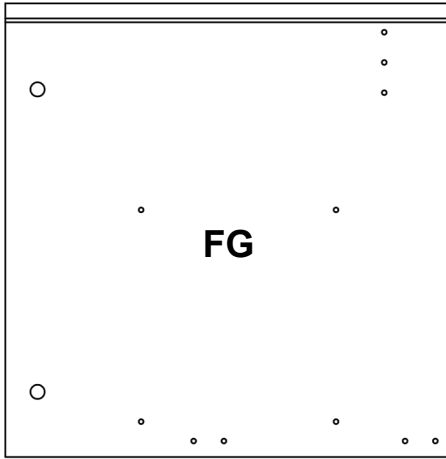


<p>0110401 x8</p>  <p>0.59x0.55x0.39" 15x14x10 mm</p>	<p>0120203 x14</p>  <p>Ø0.2x1.18" Ø5x30 mm</p>	<p>0120228 x8</p>  <p>Ø0.25x1.57" Ø6,3x40 mm</p>	<p>0125266 x1</p>  <p>Ø0.16x1.77" Ø4x45 mm</p>	<p>0126020 x8</p>  <p>Ø0.23x0.35" Ø5,8x9 mm</p>
<p>0126214 x4</p>  <p>M4x0.35" M4x9 mm</p>	<p>0131513 x14</p>  <p>Ø0.30x1.73/1.34" Ø7,5x44/34 mm</p>	<p>0131631 x4</p>  <p>Ø0.47x0.39" Ø12x10 mm</p>	<p>0131687 x10</p>  <p>Ø0.59x0.37" Ø15x9,5 mm</p>	<p>0141421 x4</p>  <p>0.67x11.02/17.72" 17x280/450 mm</p>
<p>0163001 x4</p>  <p>Ø0.47x0.16" Ø12x4 mm</p>				

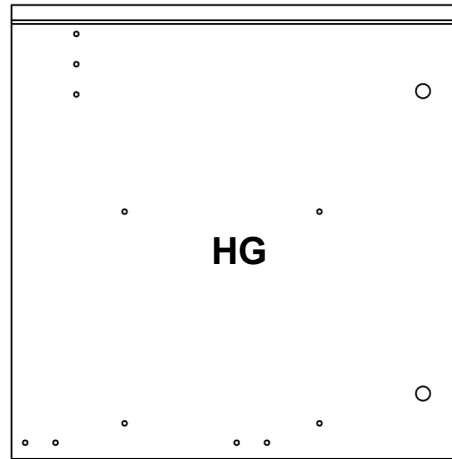


x2

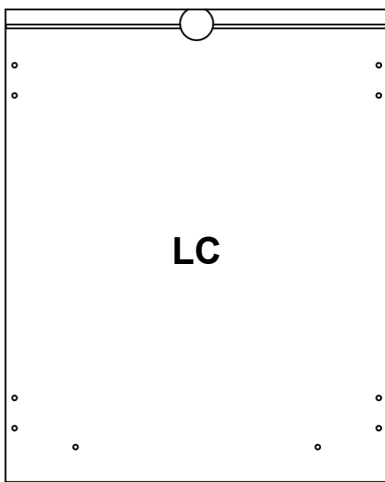




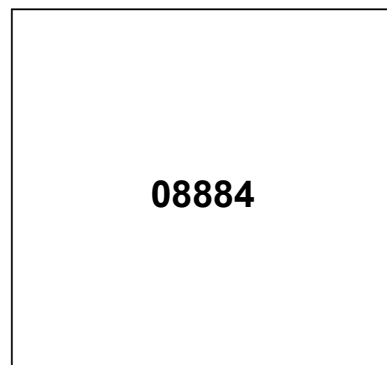
469x480x15mm



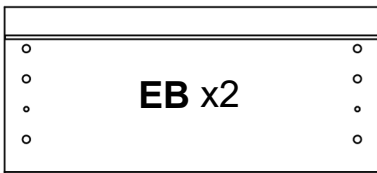
469x480x15mm



404x500x22mm



402x379x2,5mm



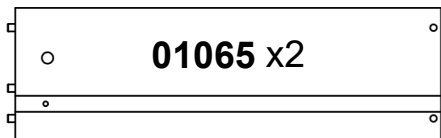
396x178x15mm



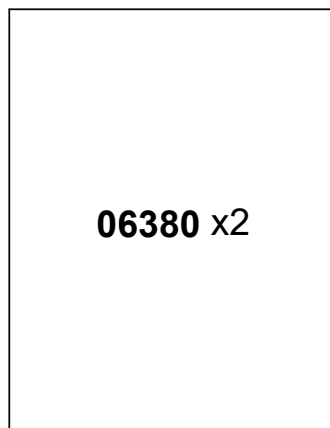
370x61x15mm



370x35x15mm



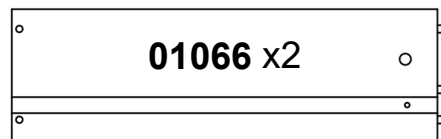
450x140x12,5mm



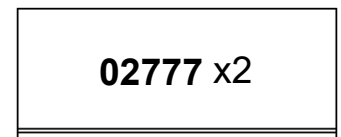
348x447x2,5mm



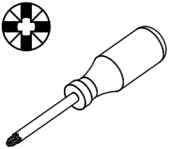
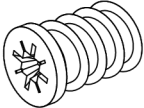
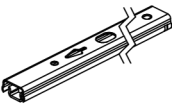
370x125x15mm

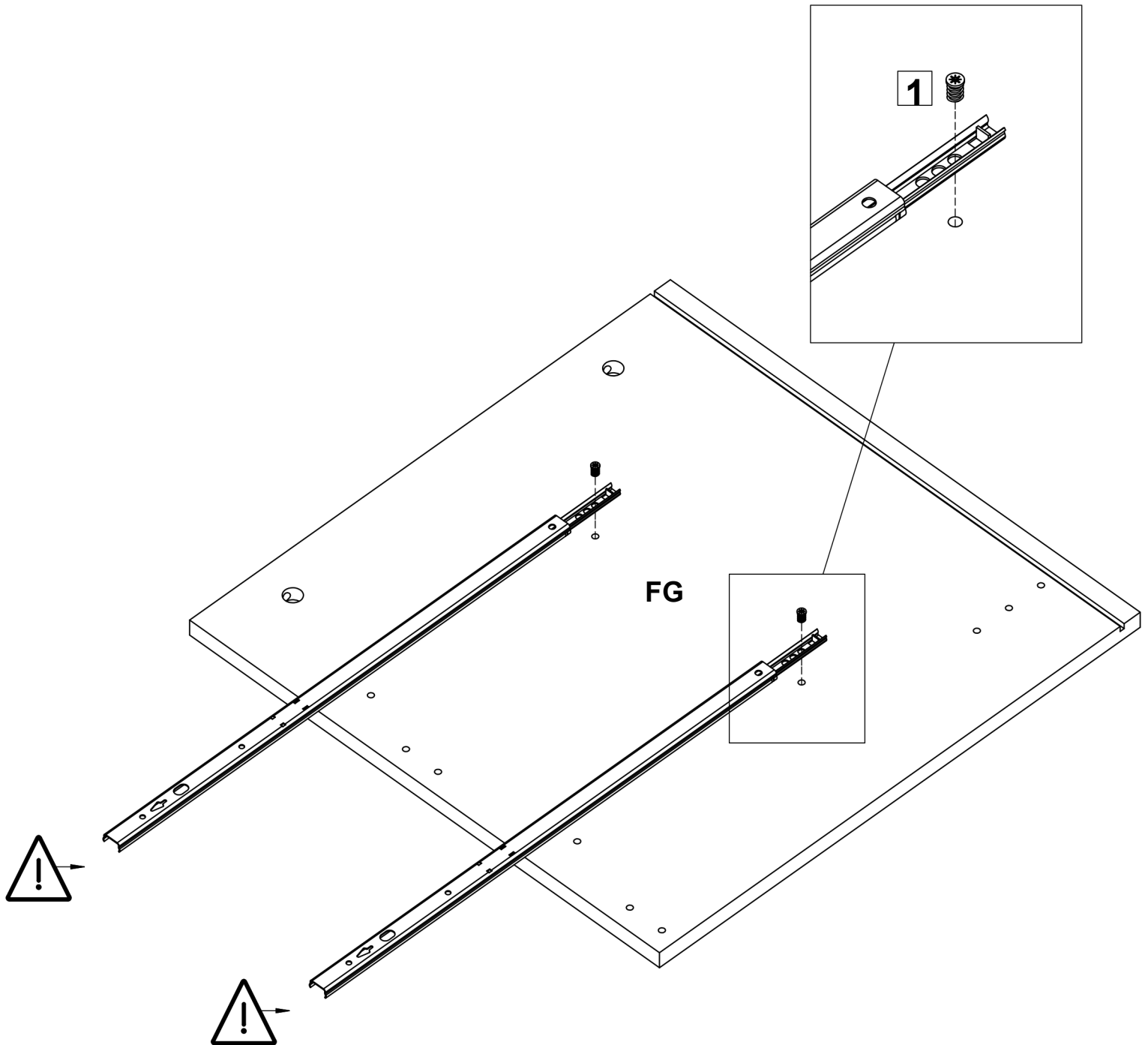
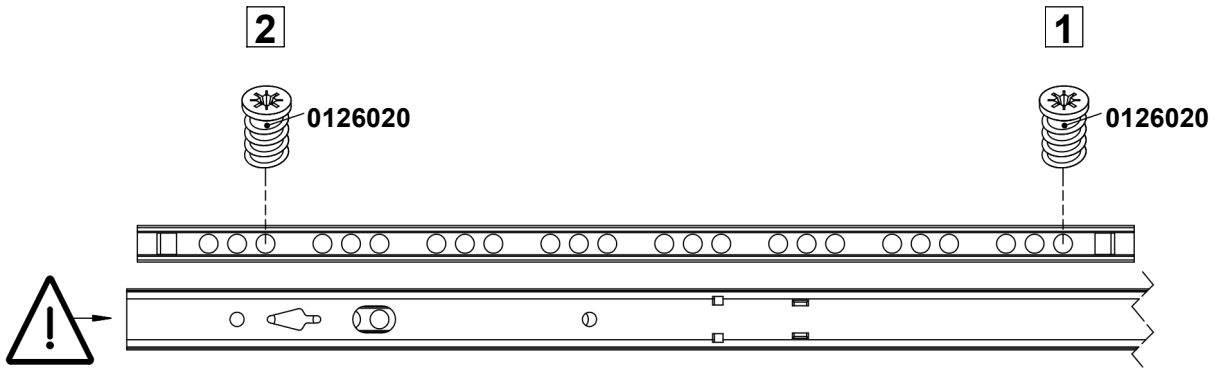


450x140x12,5mm



337x140x12,5mm

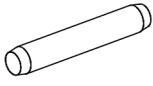
<h1>1</h1>	0126020 x4	0141421 x2	
	 Ø0.23x0.35" Ø5,8x9 mm	 0.67x11.02/17.72" 17x280/450 mm	



2

0120203

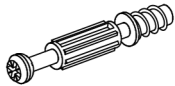
x2



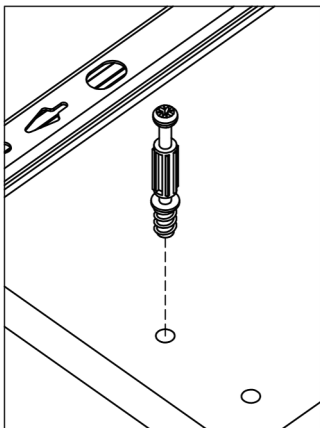
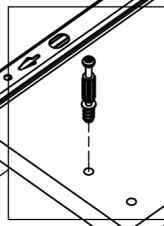
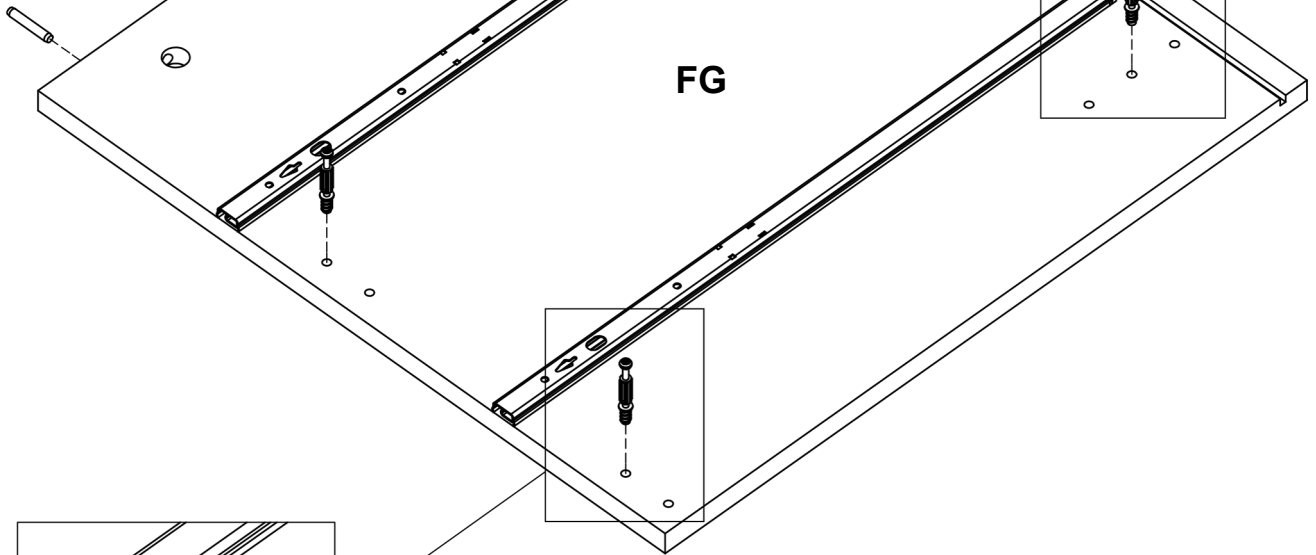
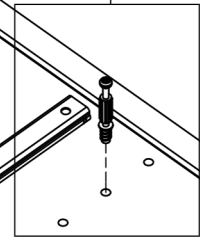
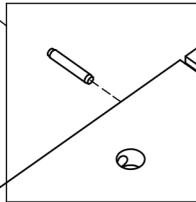
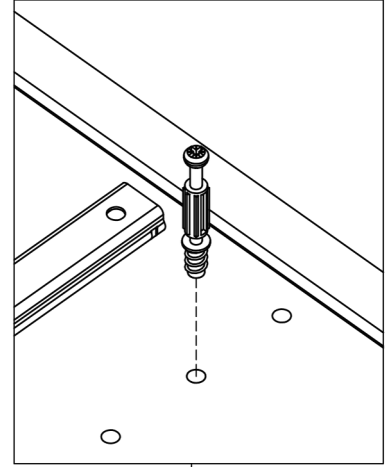
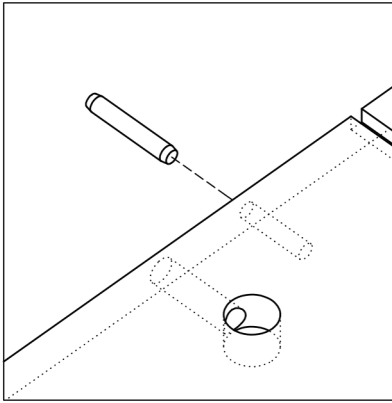
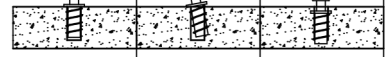
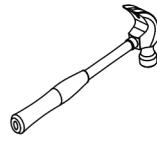
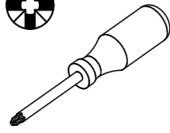
Ø0.2x1.18"
Ø5x30 mm


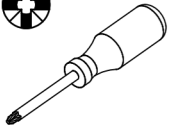
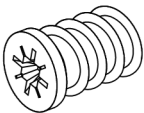
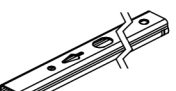
0131513

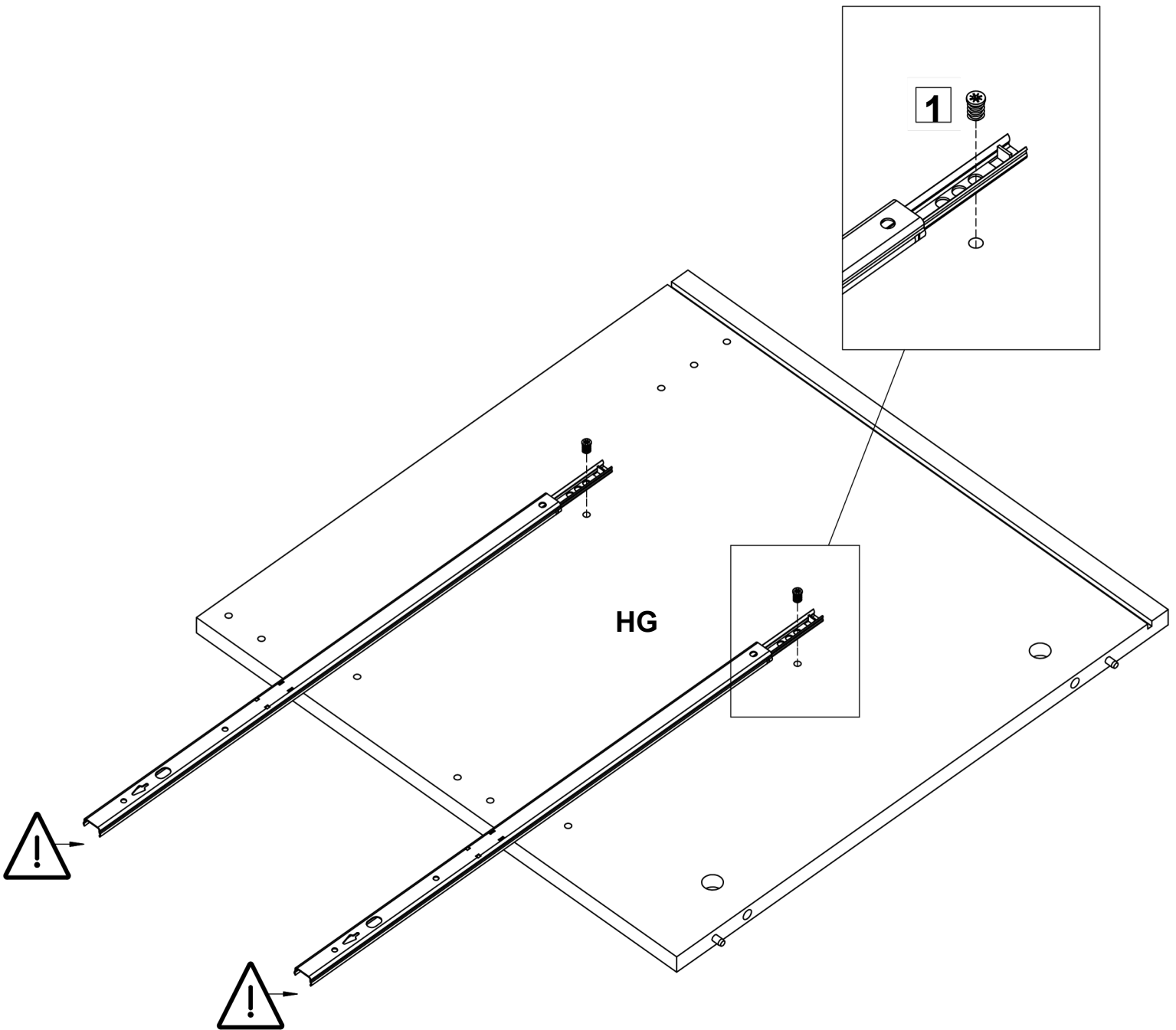
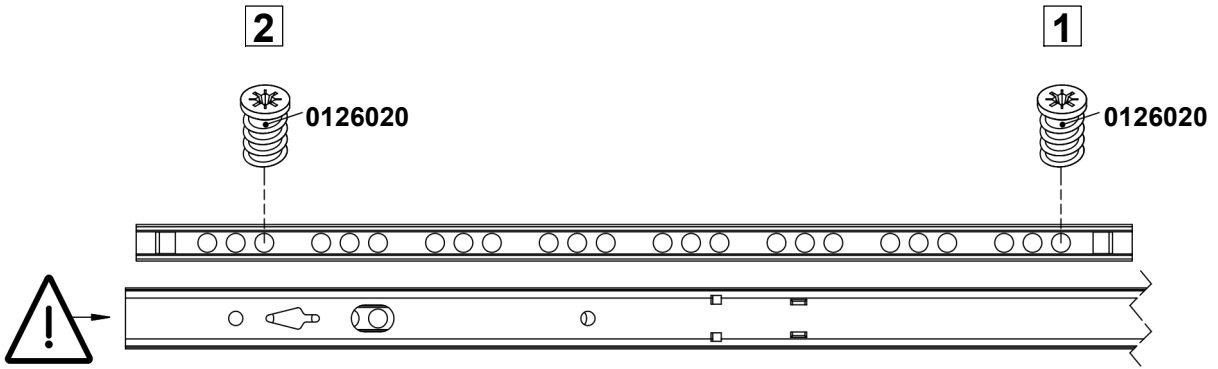
x3



Ø0.30x1.73/1.34"
Ø7.5x44/34 mm



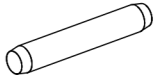
3	0126020 x4	0141421 x2	 
	 Ø0.23x0.35" Ø5,8x9 mm	 0.67x11.02/17.72" 17x280/450 mm	



4

0120203

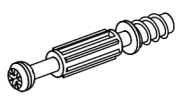
x2



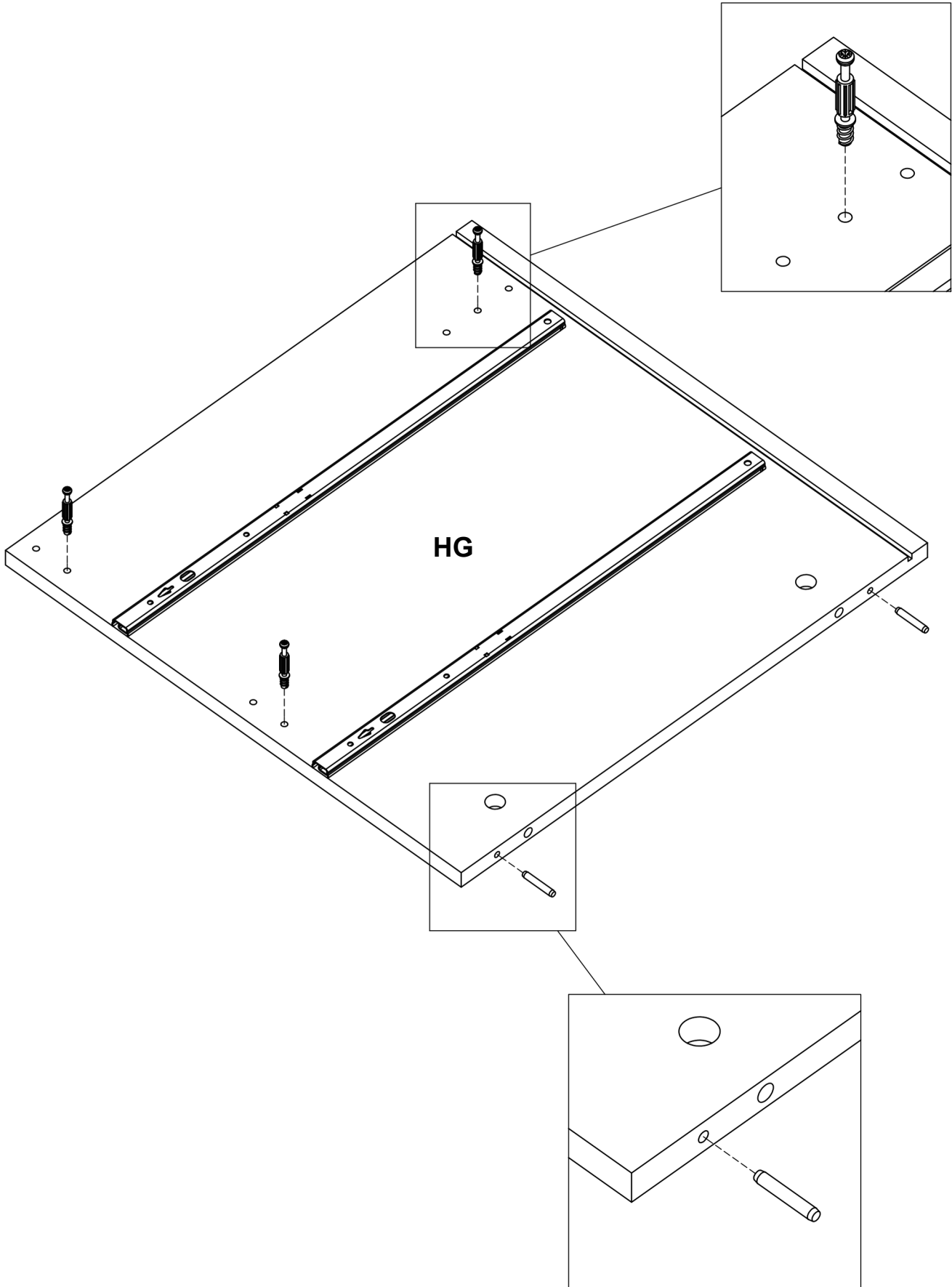
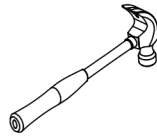
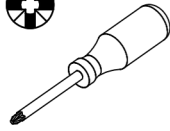
Ø0.2x1.18"
Ø5x30 mm

0131513

x3



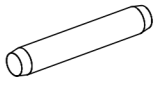
Ø0.30x1.73/1.34"
Ø7.5x44/34 mm



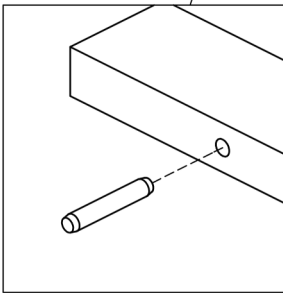
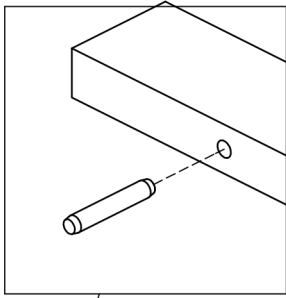
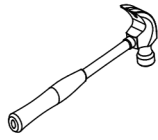
5

0120203

x10



Ø0.2x1.18"
Ø5x30 mm



PB

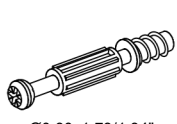
JB x2

KC

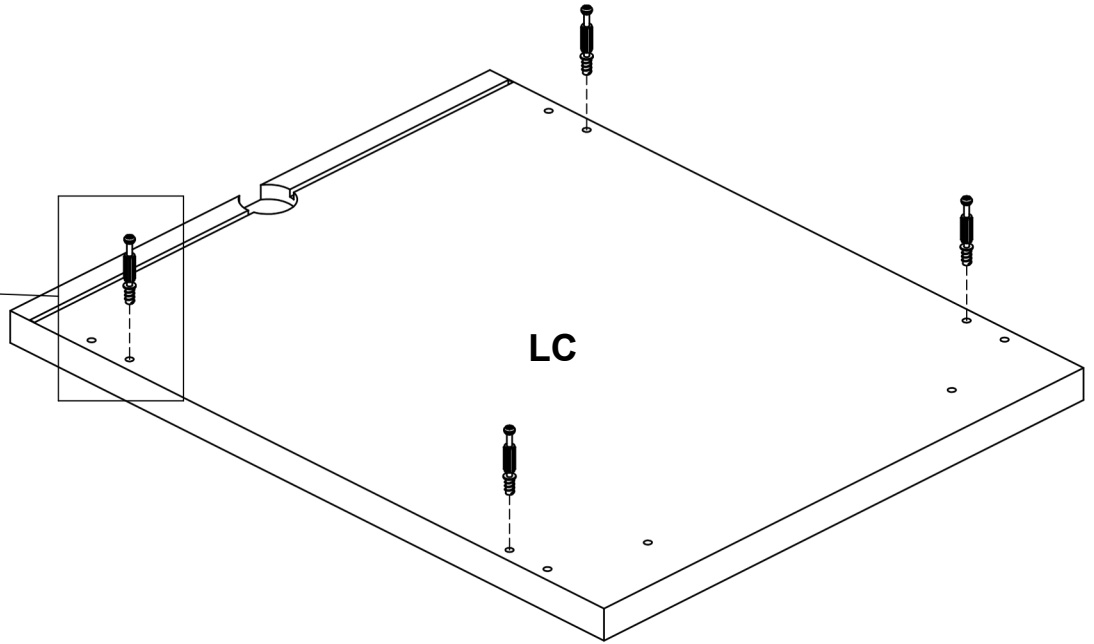
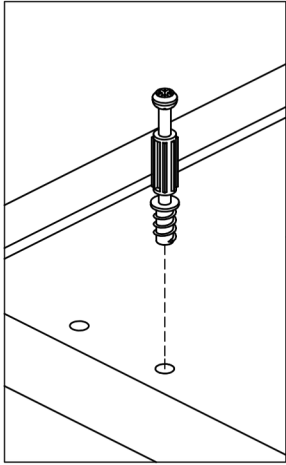
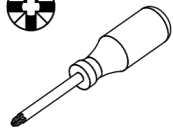
6

0131513

x4



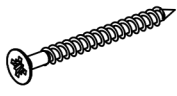
Ø0.30x1.73/1.34"
Ø7,5x44/34 mm



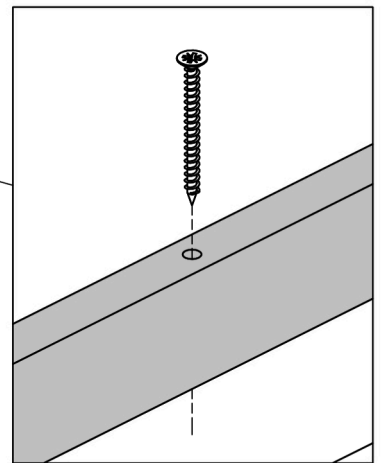
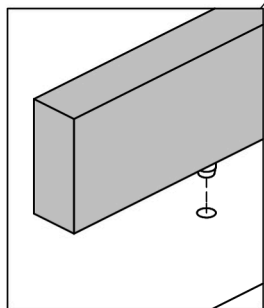
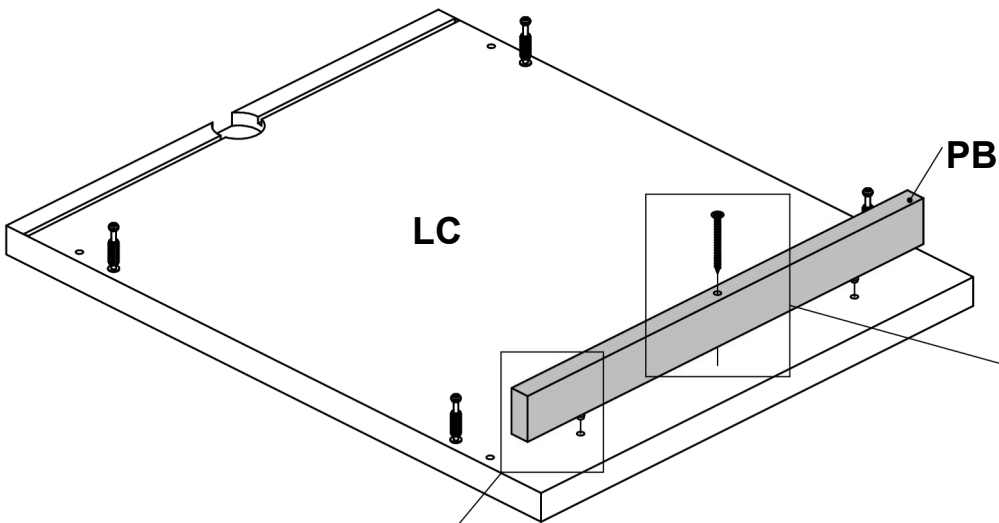
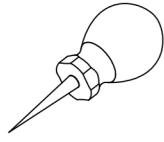
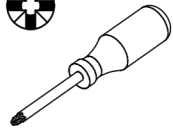
7

0125266

x1



Ø0.16x1.77"
Ø4x45 mm



8

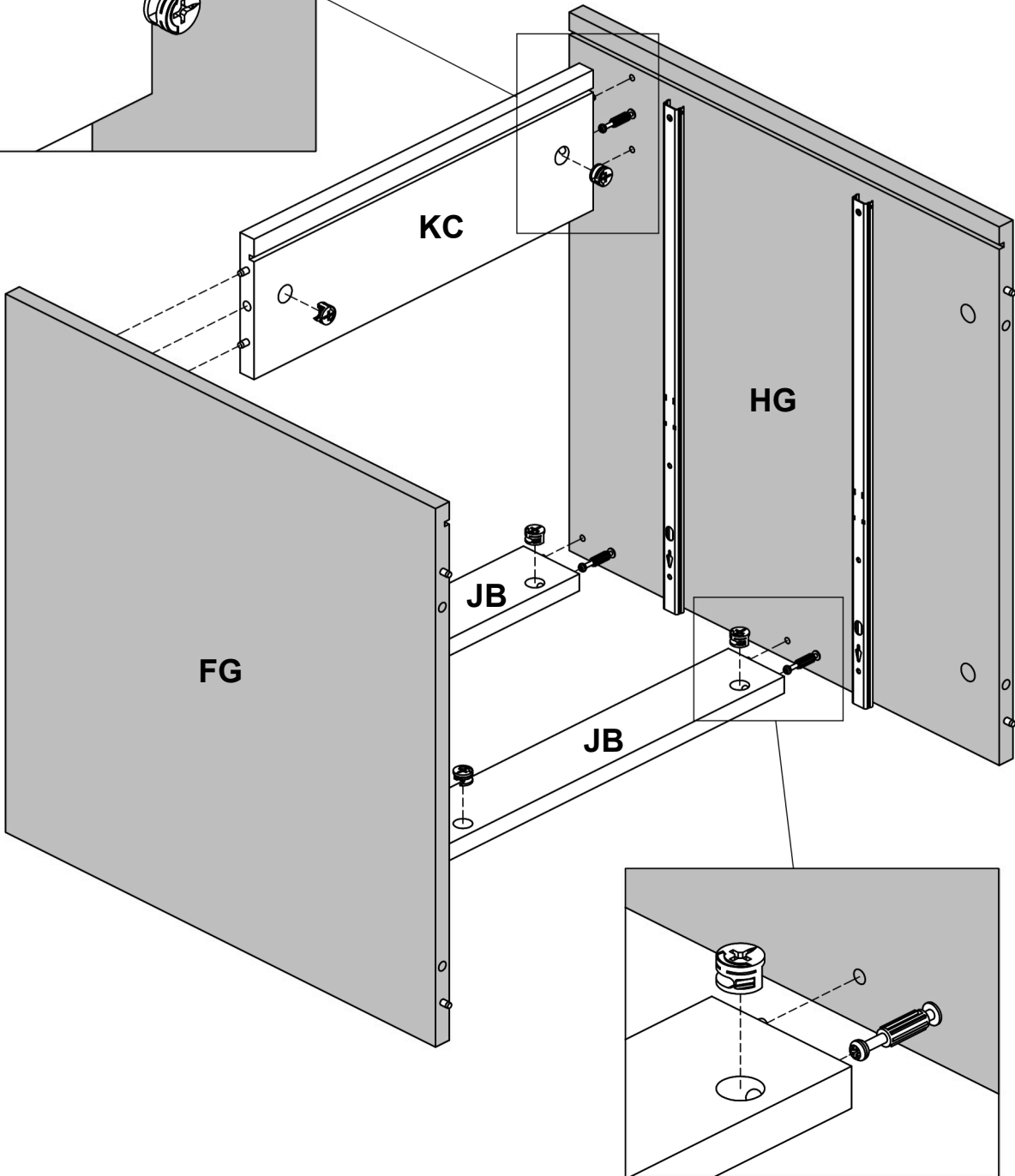
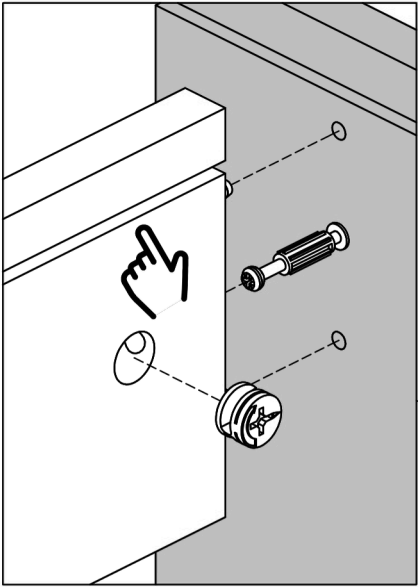
0131687 **x6**

Ø0.59x0.37"
Ø15x9,5 mm

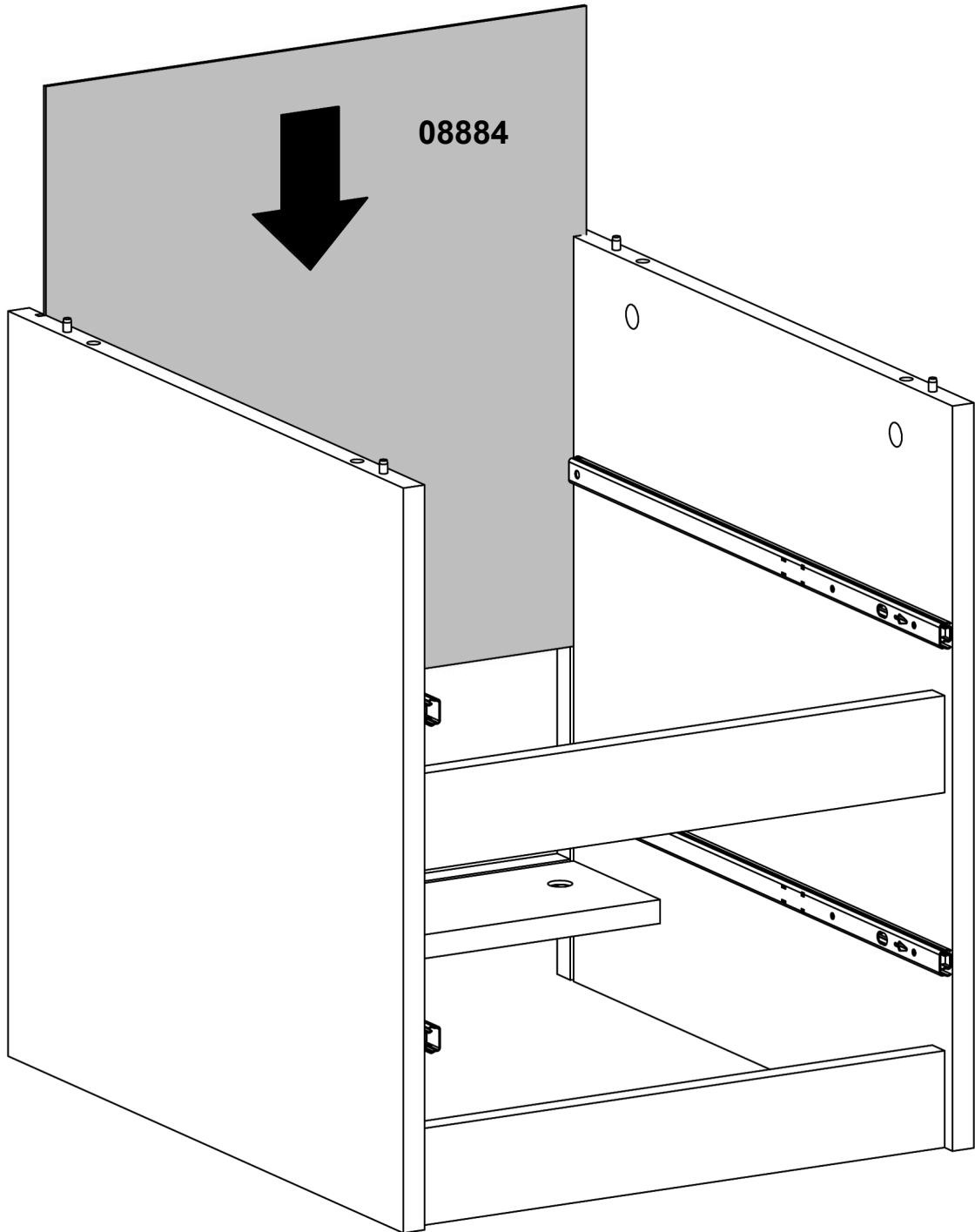
1

2

3



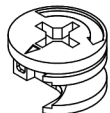
9



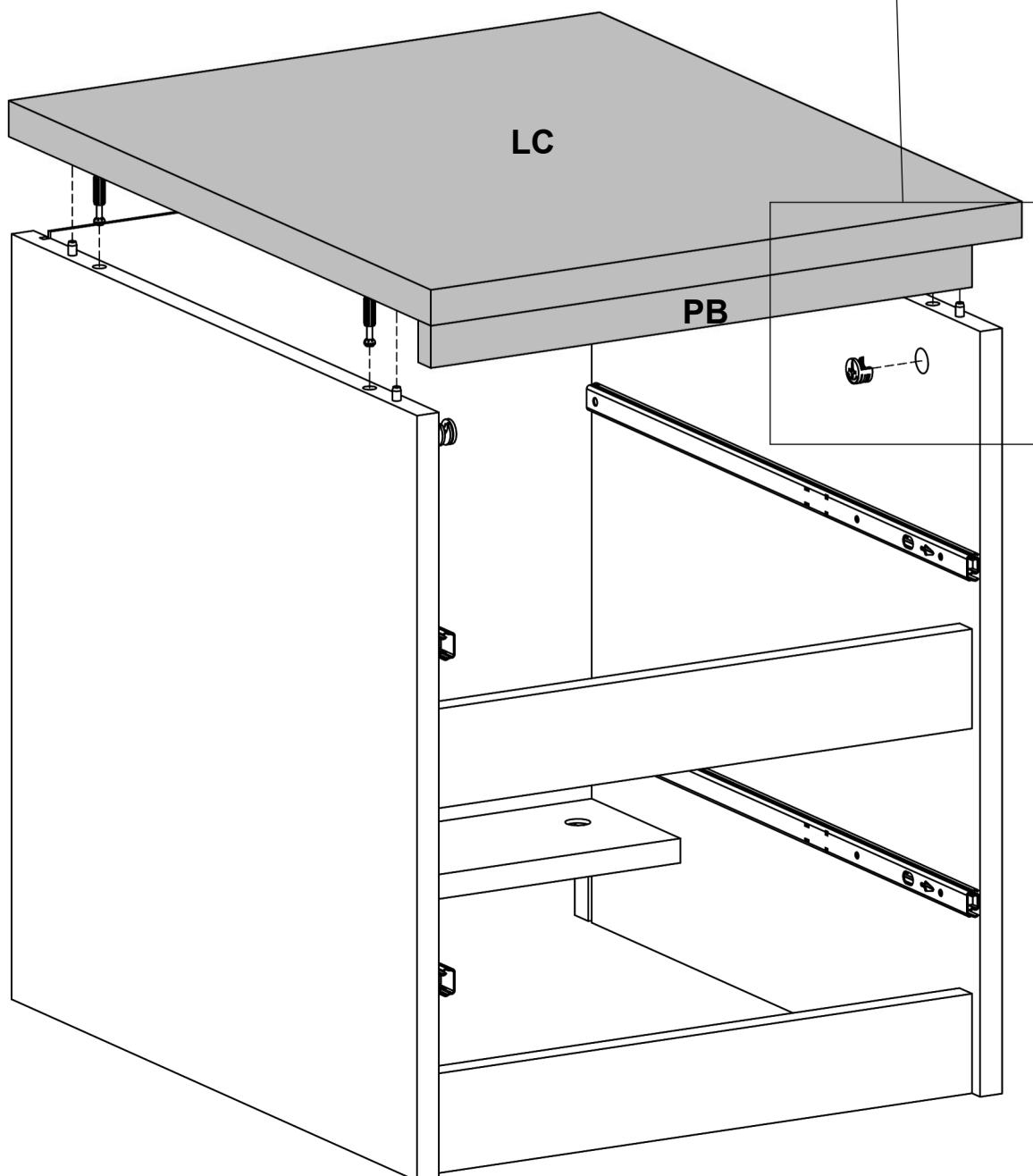
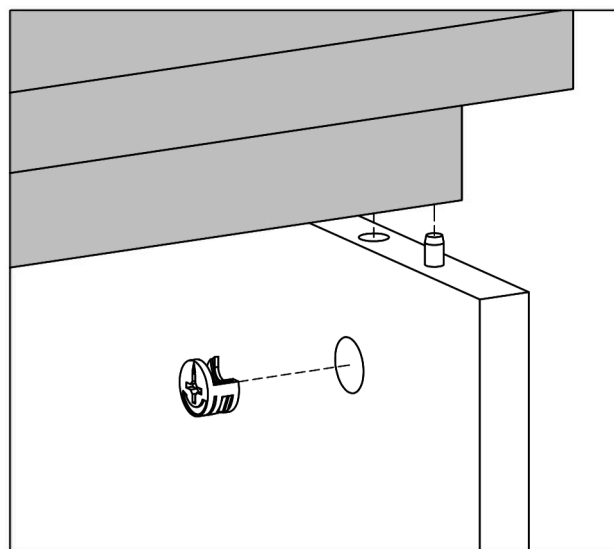
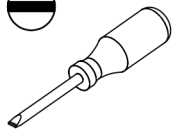
10

0131687

x4



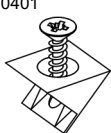
Ø0.59x0.37"
Ø15x9,5 mm



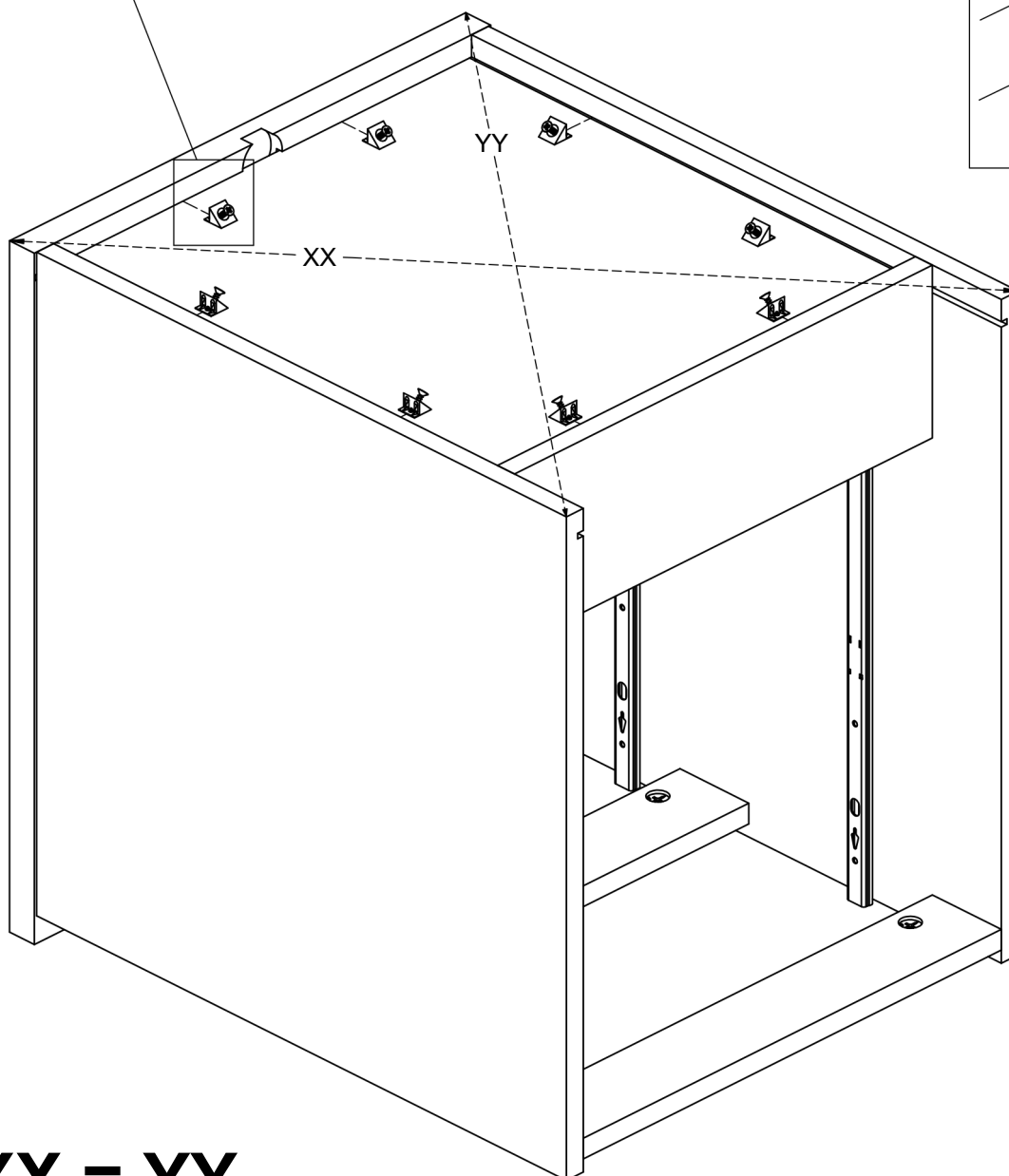
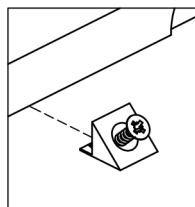
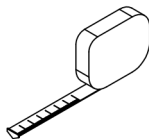
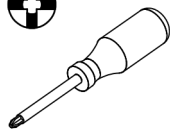
11

0110401

x8

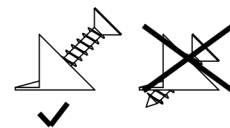
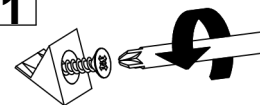


0.59x0.55x0.39"
15x14x10 mm

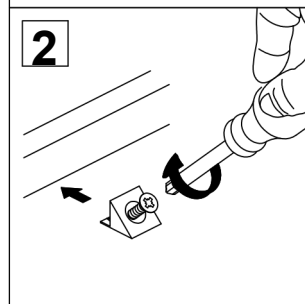


XX = YY

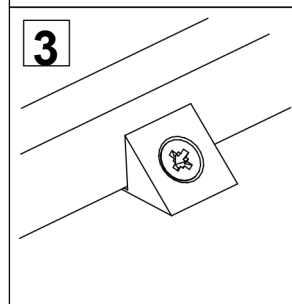
1



2



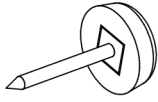
3



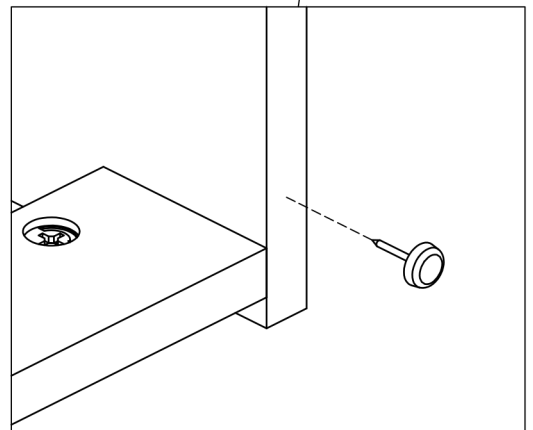
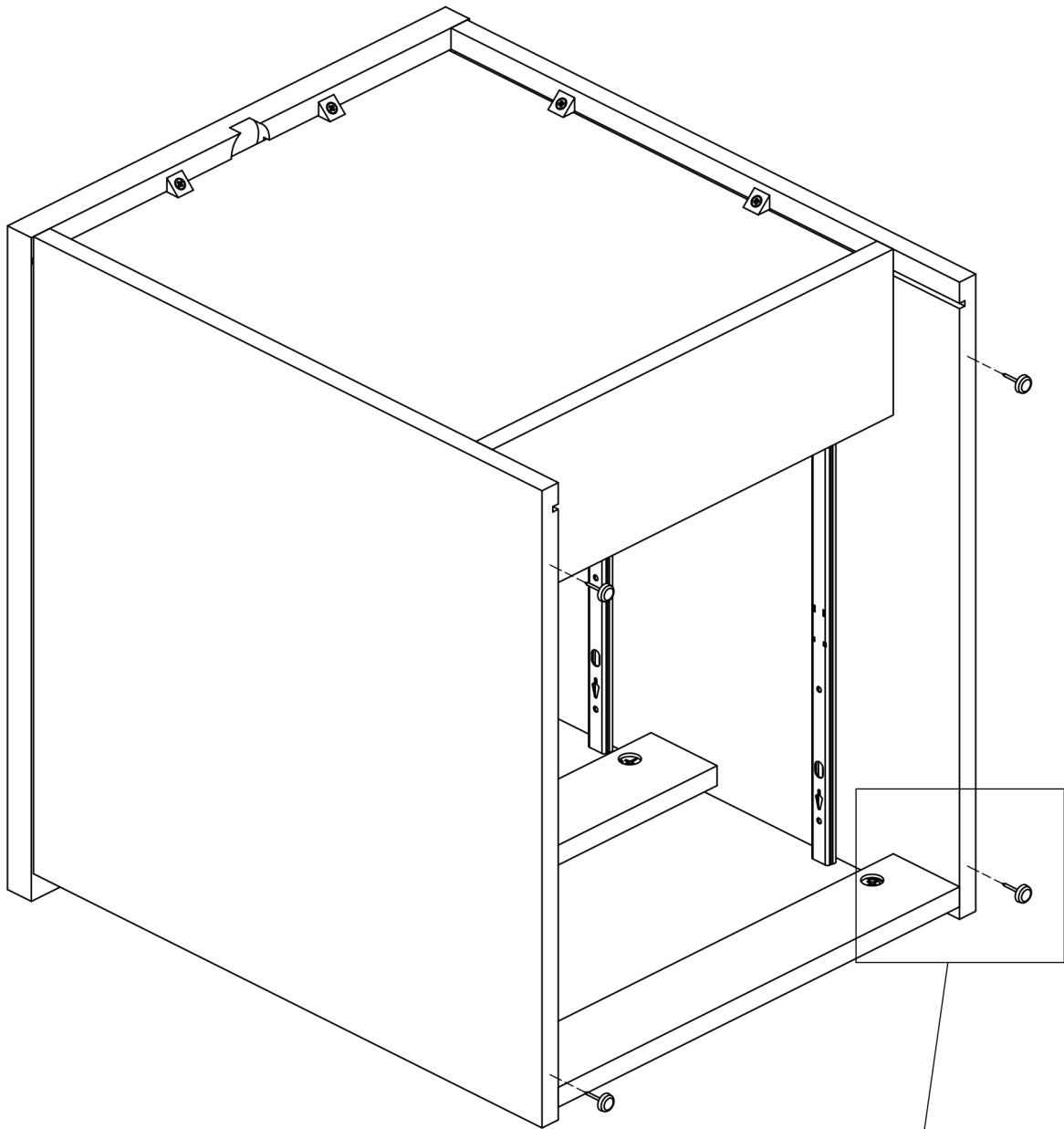
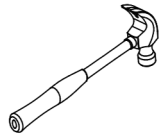
12

0163001

x4



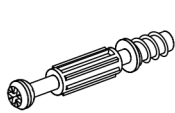
Ø0.47x0.16"
Ø12x4 mm



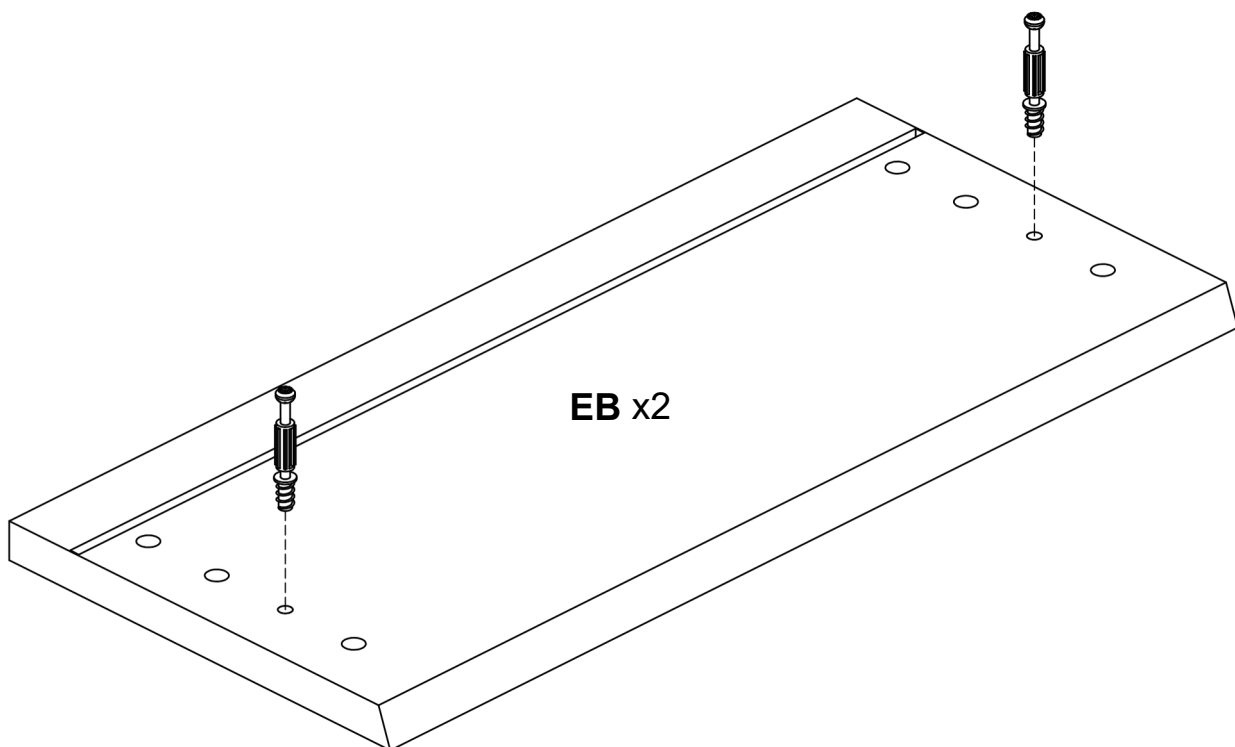
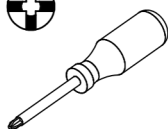
13

0131513

x4



Ø0.30x1.73/1.34"
Ø7,5x44/34 mm



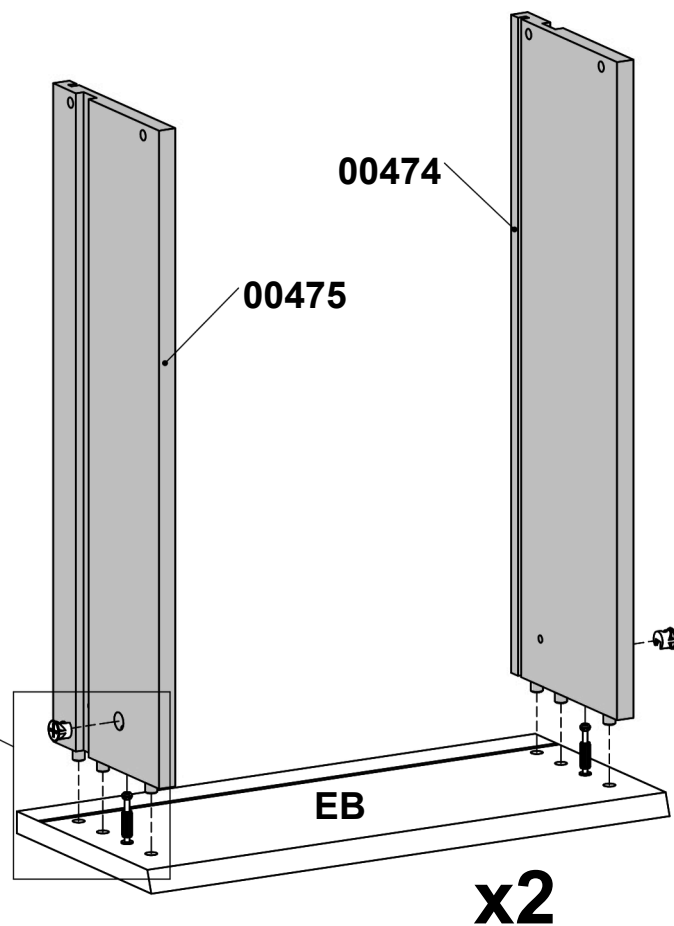
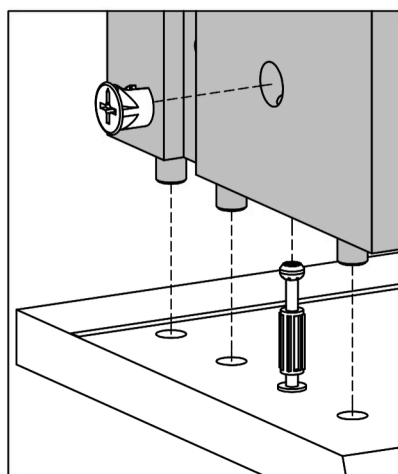
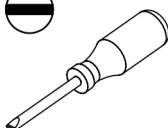
14

0131631

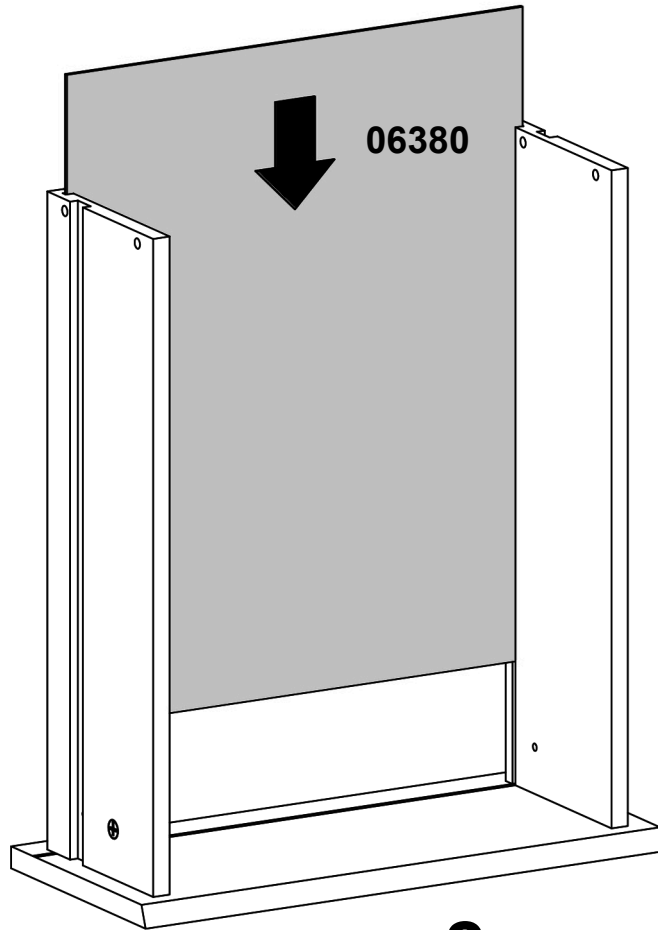
x4



Ø0.47x0.39"
Ø12x10 mm



15

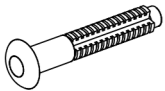


x2

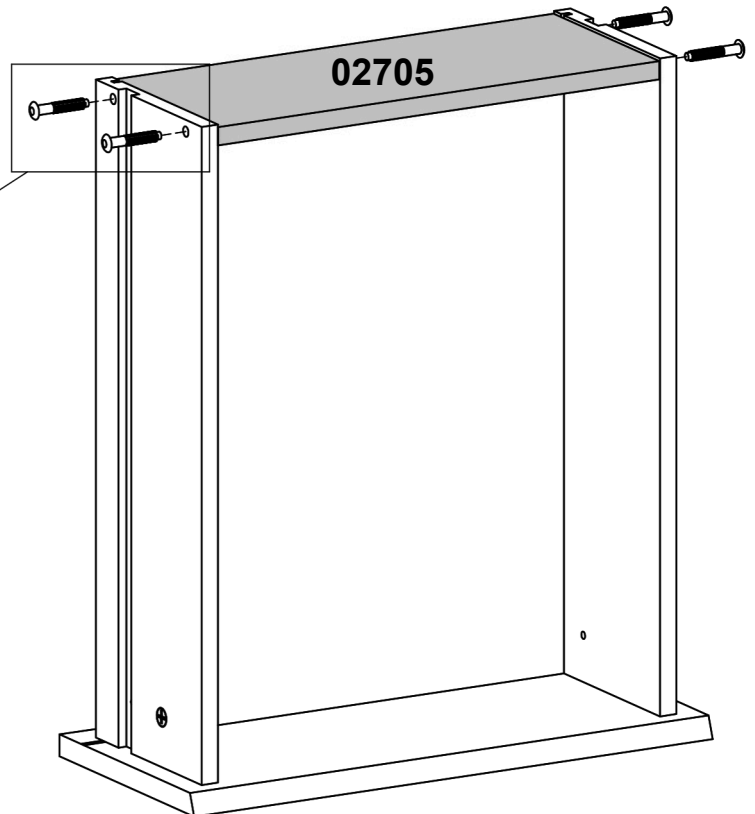
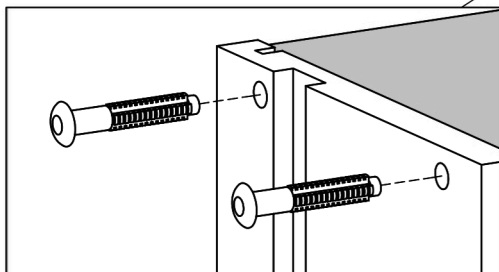
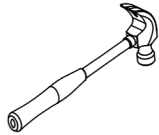
16

0120228

x8



Ø0.25x1.57"
Ø6.3x40 mm

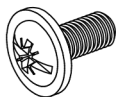


x2

17

0126214

x4



M4x0.35"
M4x9 mm

