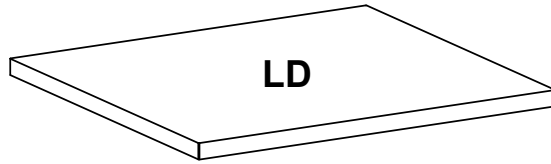
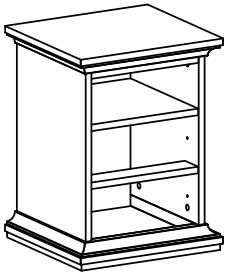
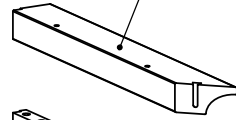


<p>0110901 <b>x1</b></p> <p>Ø0.87x0.02" Ø22x0,5 mm</p>	<p>0120203 <b>x4</b></p> <p>Ø0.2x1.18" Ø5x30 mm</p>	<p>0120209 <b>x16</b></p> <p>Ø0.31x1.18" Ø8x30 mm</p>	<p>0120228 <b>x8</b></p> <p>Ø0.25x1.57" Ø6,3x40 mm</p>	<p>0122005 <b>x4</b></p> <p>Ø0.55/Ø0.35x0.61" Ø14/Ø9x15,5 mm</p>
<p>0123006 <b>x1</b></p> <p>0.06x0.98" 1,4x25 mm</p>	<p>0125233 <b>x8</b></p> <p>Ø0.14x0.59" Ø3,5x15 mm</p>	<p>0125604 <b>x10</b></p> <p>Ø0.2x1.5" Ø5x38 mm</p>	<p>0126020 <b>x8</b></p> <p>Ø0.23x0.35" Ø5,8x9 mm</p>	<p>0126033 <b>x6</b></p> <p>Ø0.25x1.06" Ø6,3x27 mm</p>
<p>0126214 <b>x4</b></p> <p>M4x0.35" M4x9 mm</p>	<p>0126234 <b>x2</b></p> <p>M4x0.98" M4x25 mm</p>	<p>0131513 <b>x20</b></p> <p>Ø0.30x1.73/1.34" Ø7,5x44/34 mm</p>	<p>0131687 <b>x20</b></p> <p>Ø0.59x0.37" Ø15x9,5 mm</p>	<p>0133203 <b>x4</b></p> <p>1x0.37x0.51" 25,4x9,5x13 mm</p>
<p>0141441 <b>x4</b></p> <p>0.67x12.20/12.20" 17x310/310 mm</p>	<p>0162403 <b>x4</b></p> <p>M6x0.79" M6x20 mm</p>	<p>0181009 <b>x2</b></p> <p>Ø1.1x0.83" Ø28x21 mm</p>		

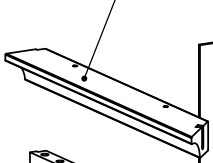


76164

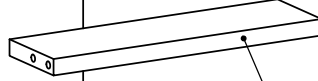


76165

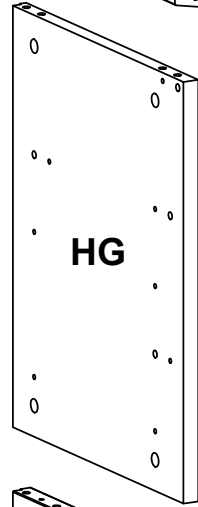
76290



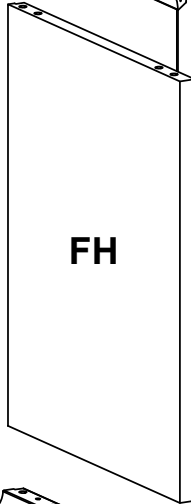
09411



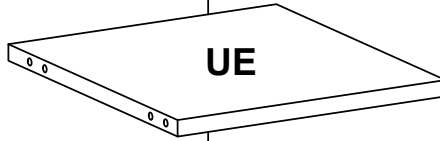
PF



HG

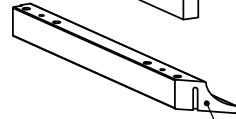
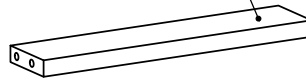


FH

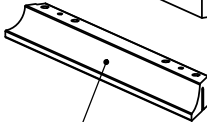


UE

KN



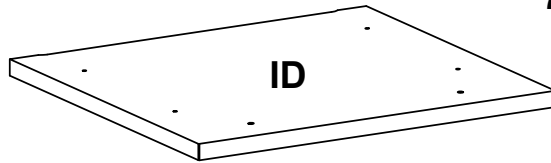
76165



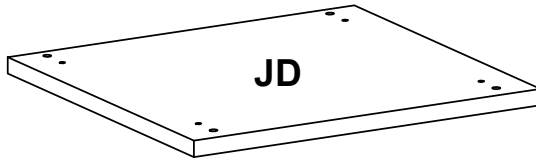
76164



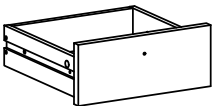
76291



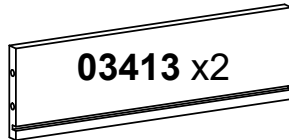
ID



JD

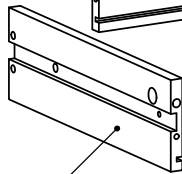
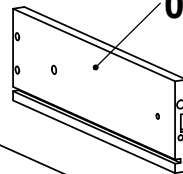


x2

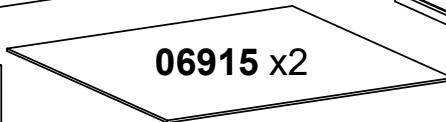


03413 x2

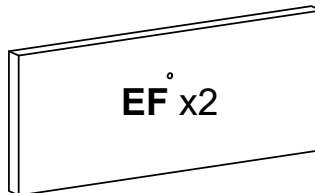
00703 x2



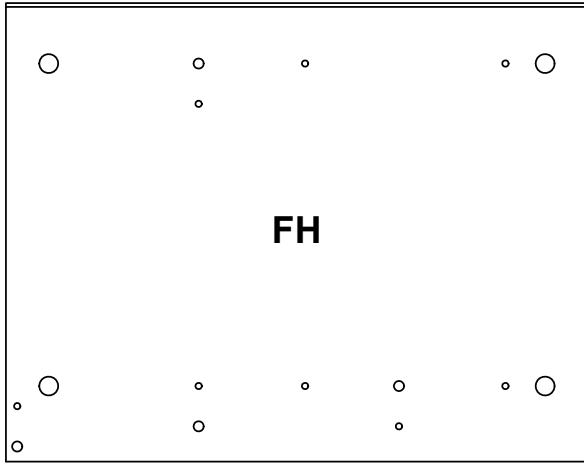
00704 x2



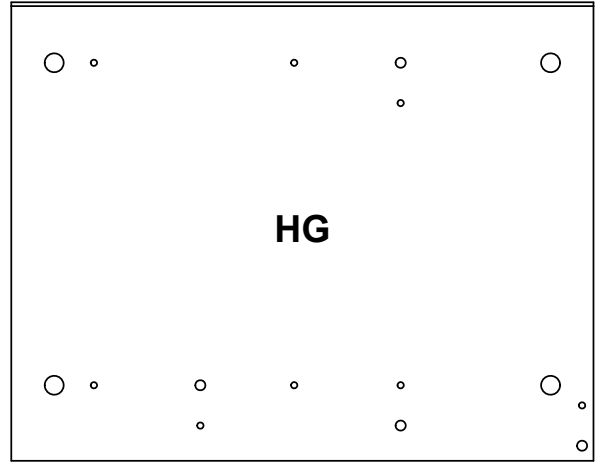
06915 x2



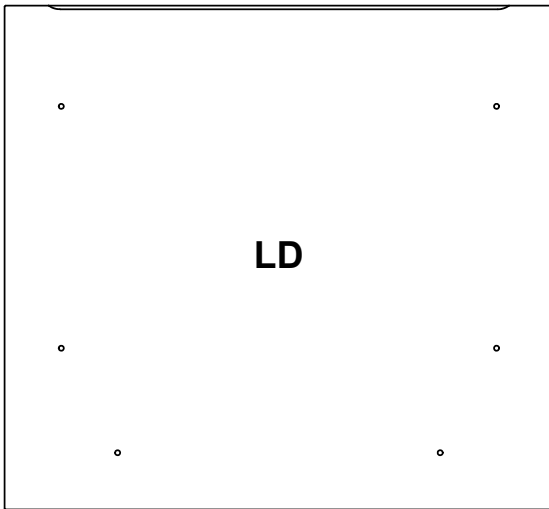
EF x2



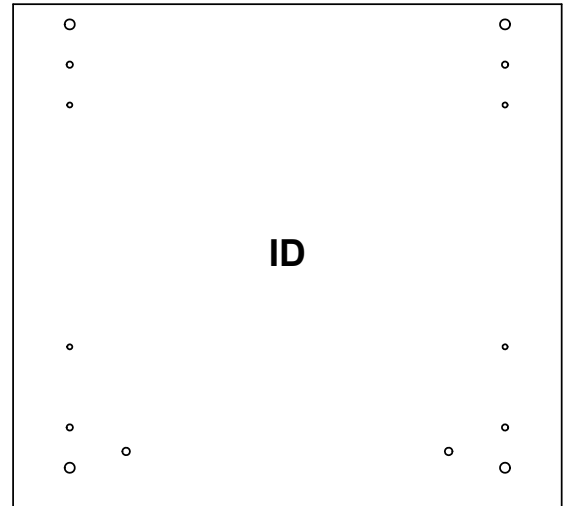
462x364x18mm



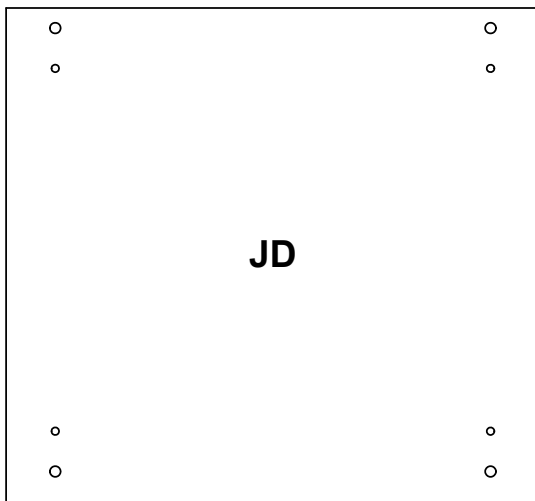
462x364x18mm



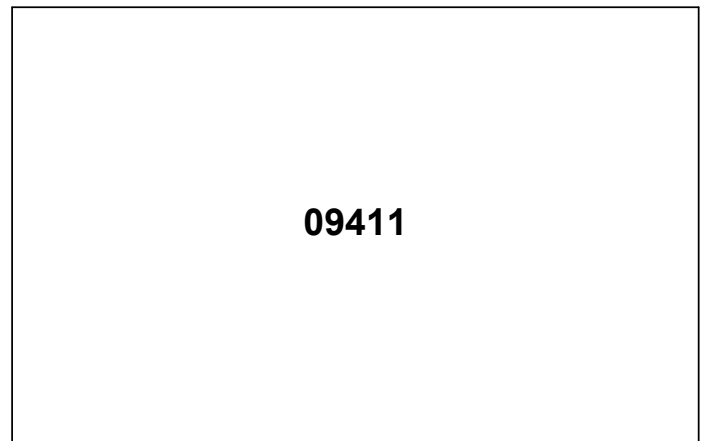
435,5x400x18mm



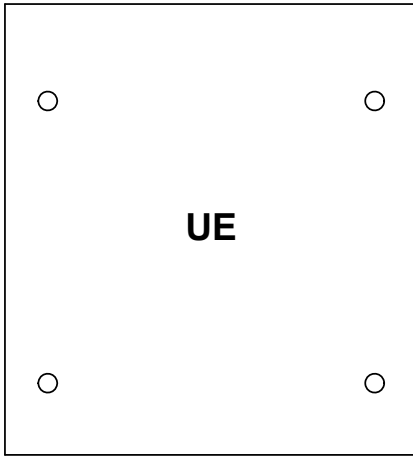
435,5x400x18mm



423,5x394x18mm



545x346x2,5mm



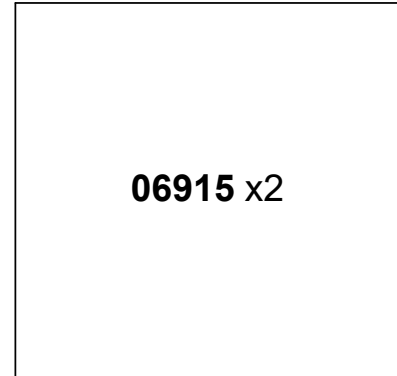
327,5x358x18mm



323,5x134x18mm



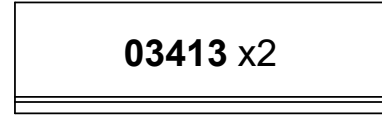
327,5x93x18mm



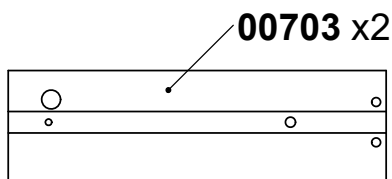
305x297x2,5mm



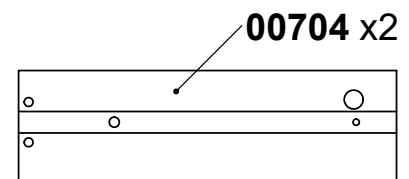
327,5x70x18mm



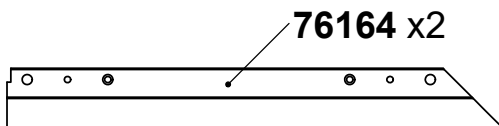
294,5x88x12,2mm



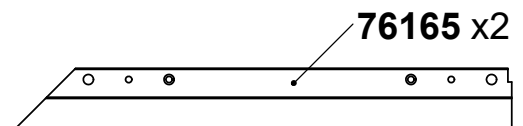
300x88x12,2mm



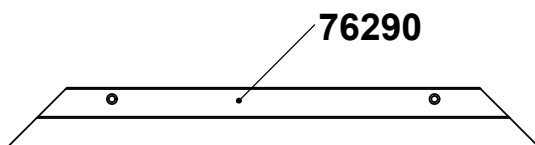
300x88x12,2mm



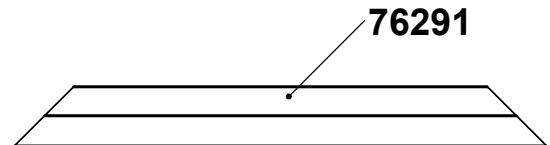
394x48x32mm



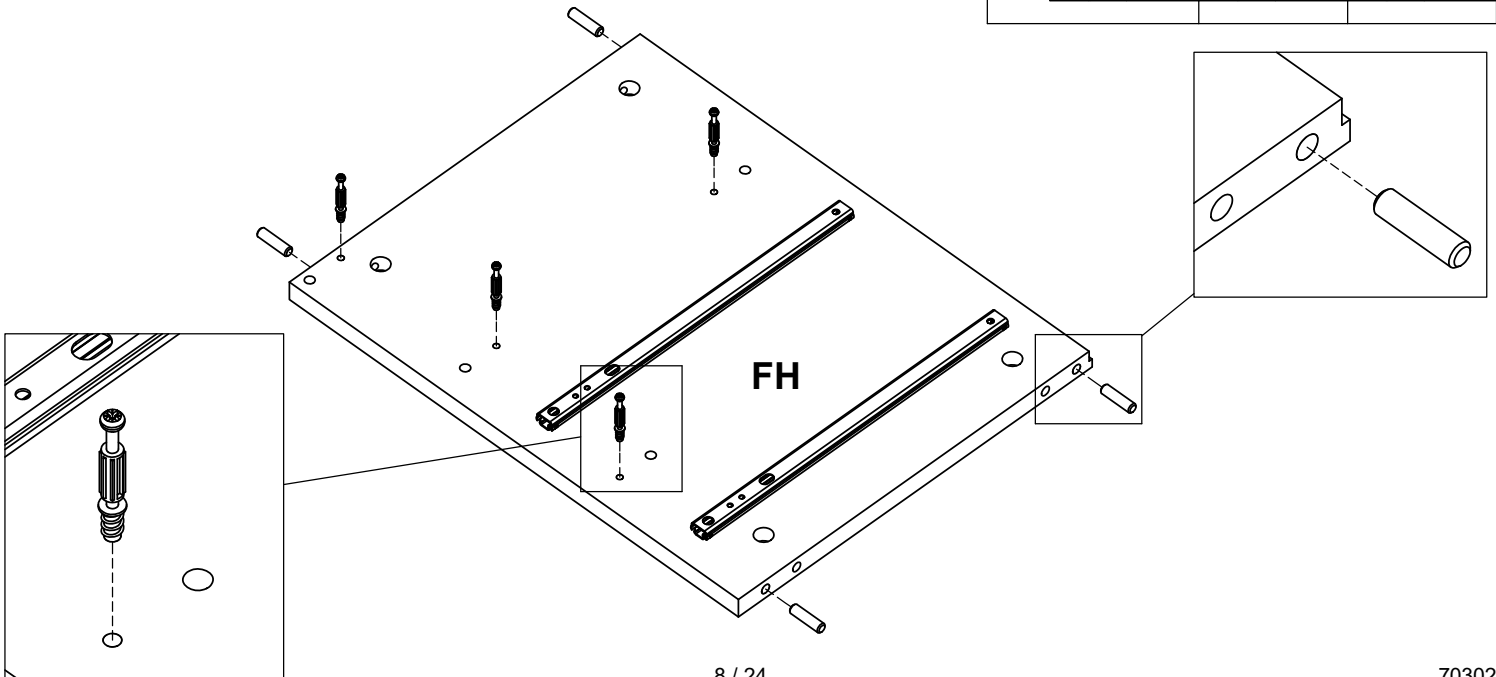
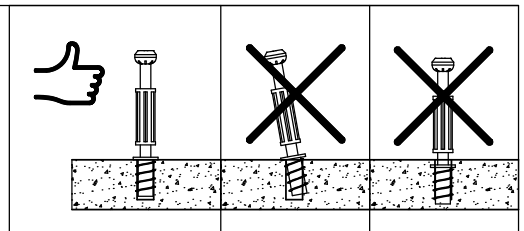
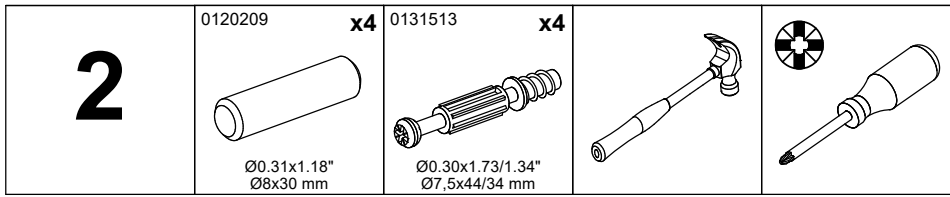
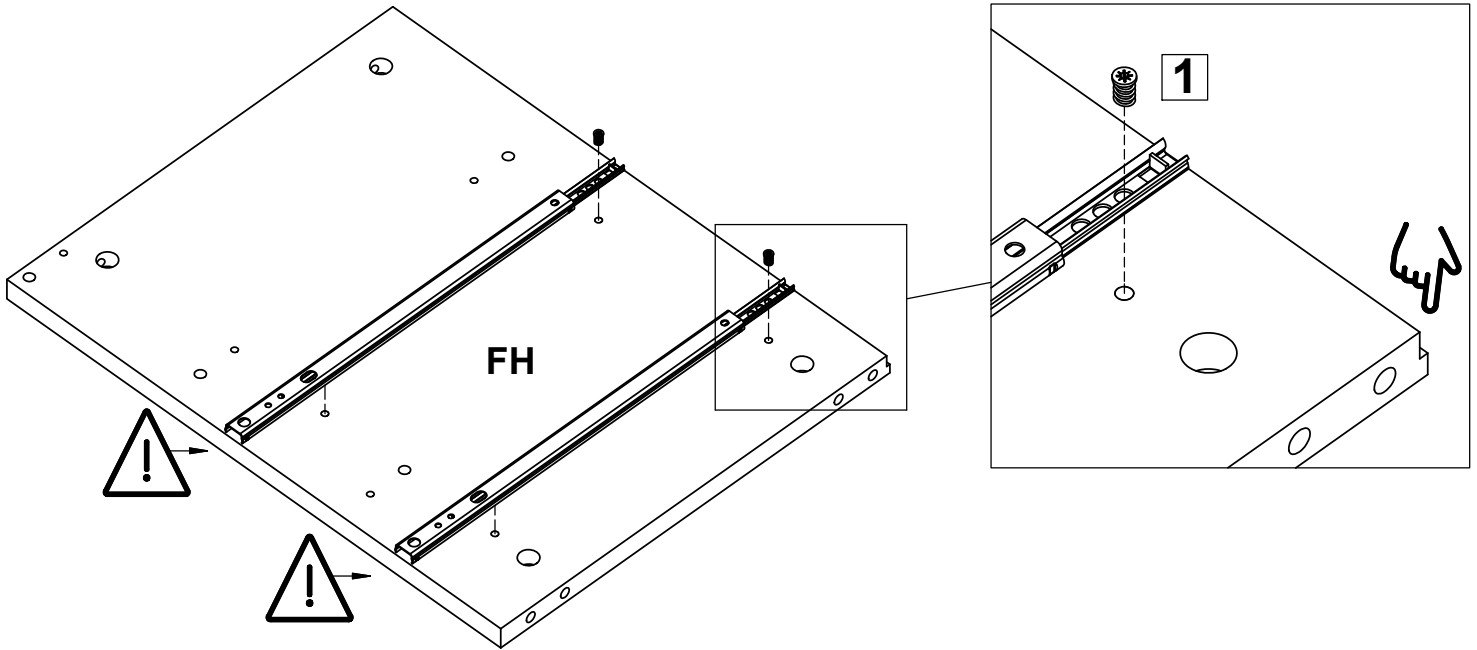
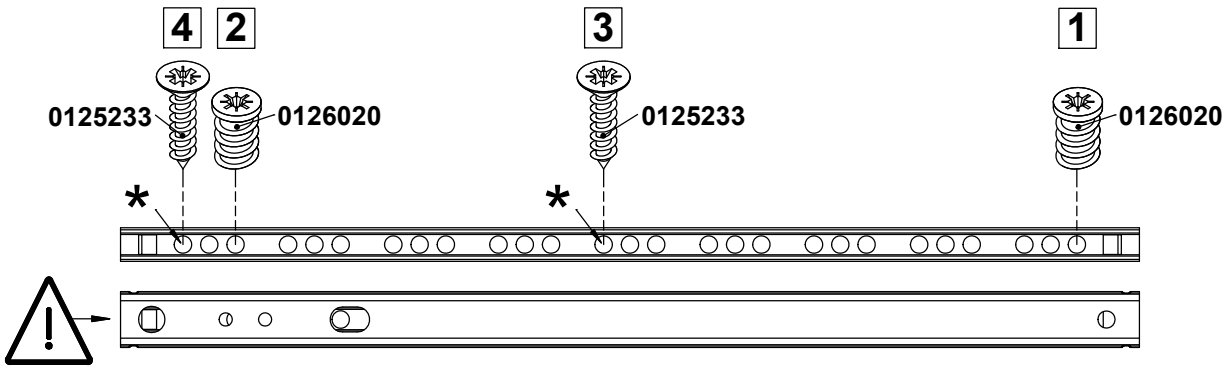
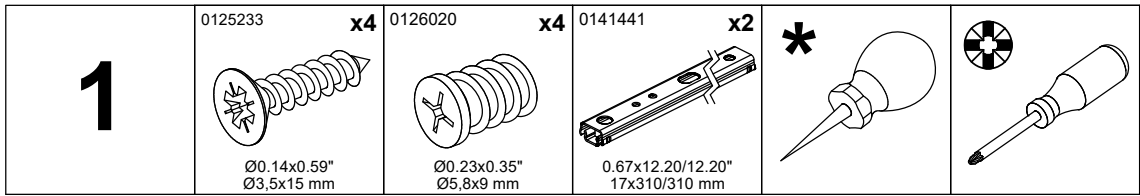
394x48x32mm

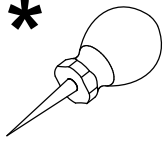
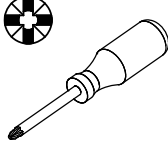
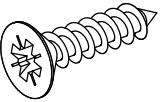
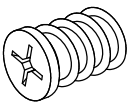
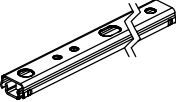


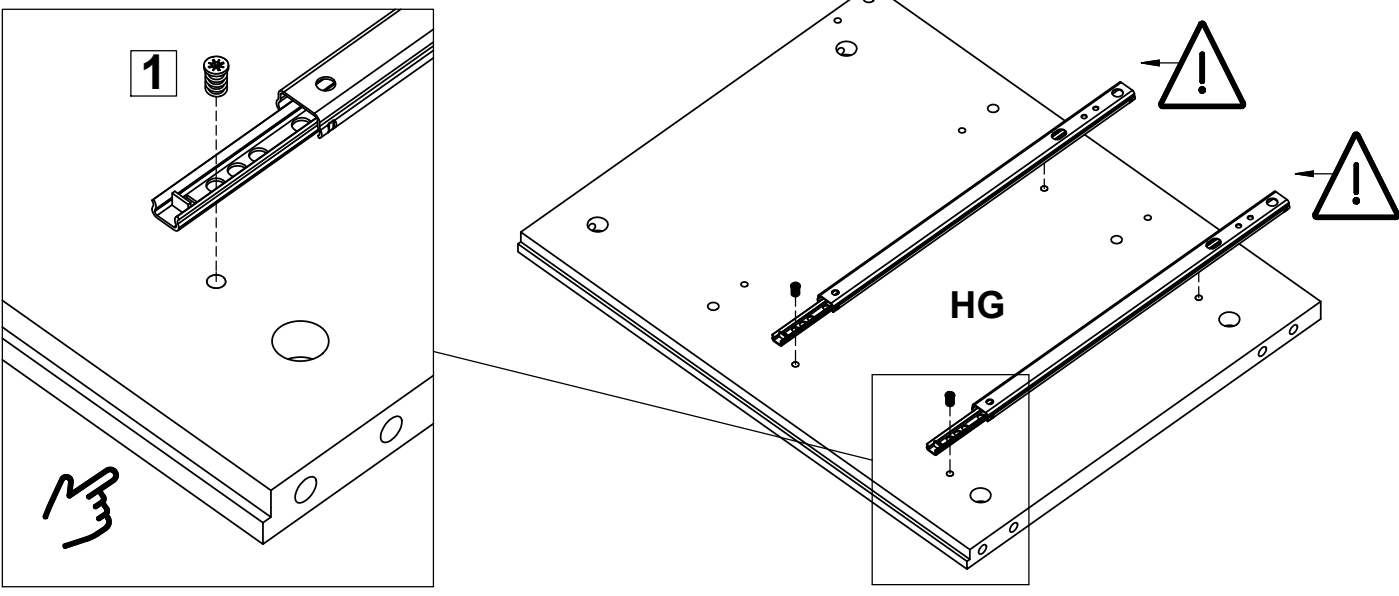
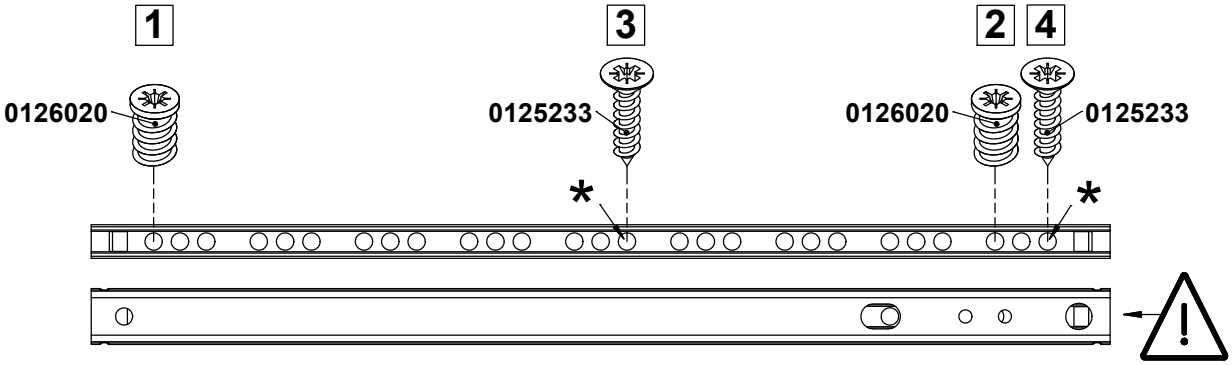
423,5x48x32mm

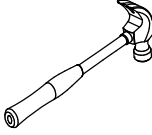
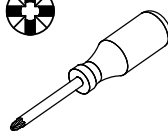
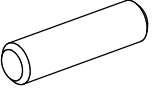
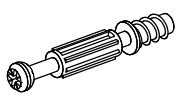


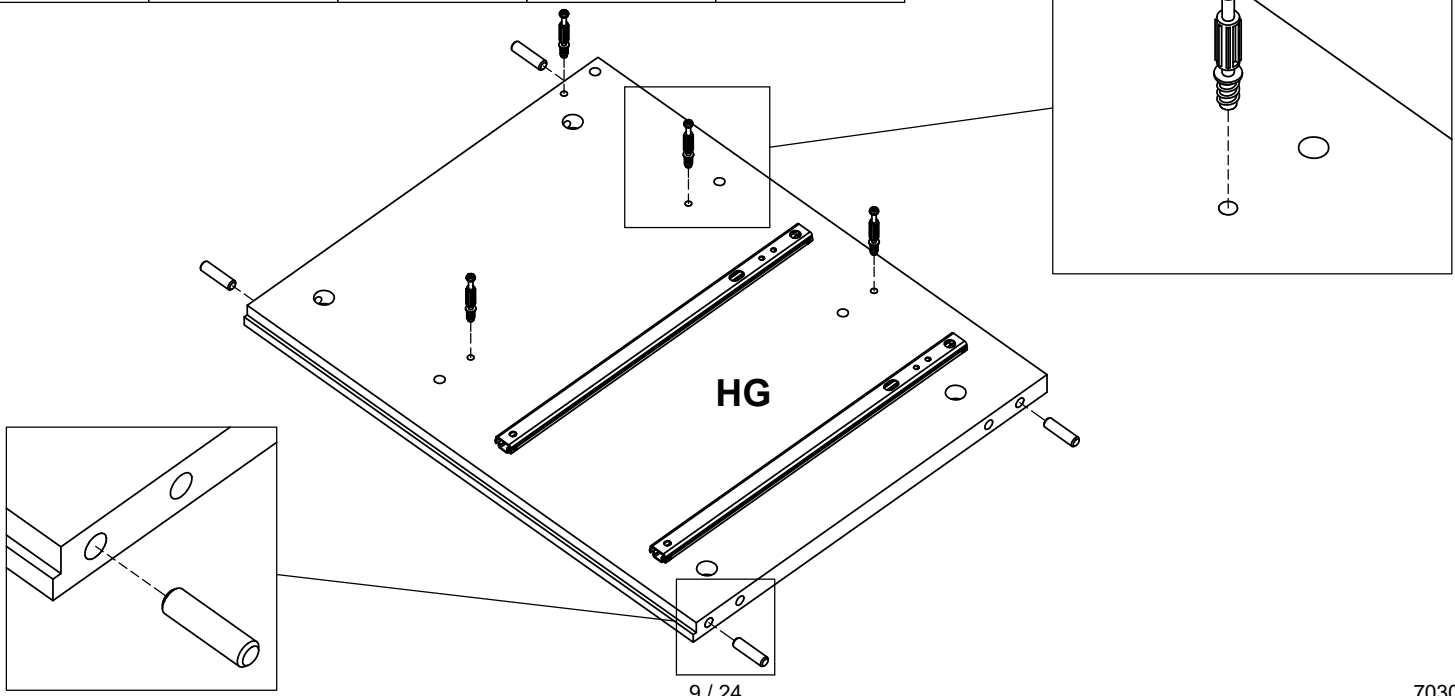
423,5x48x32mm



<b>3</b>	0125233 <b>x4</b>	0126020 <b>x4</b>	0141441 <b>x2</b>	*		
	 Ø0.14x0.59" Ø3.5x15 mm	 Ø0.23x0.35" Ø5.8x9 mm	 0.67x12.20/12.20" 17x310/310 mm			



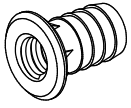
<b>4</b>	0120209 <b>x4</b>	0131513 <b>x4</b>		
	 Ø0.31x1.18" Ø8x30 mm	 Ø0.30x1.73/1.34" Ø7.5x44/34 mm		



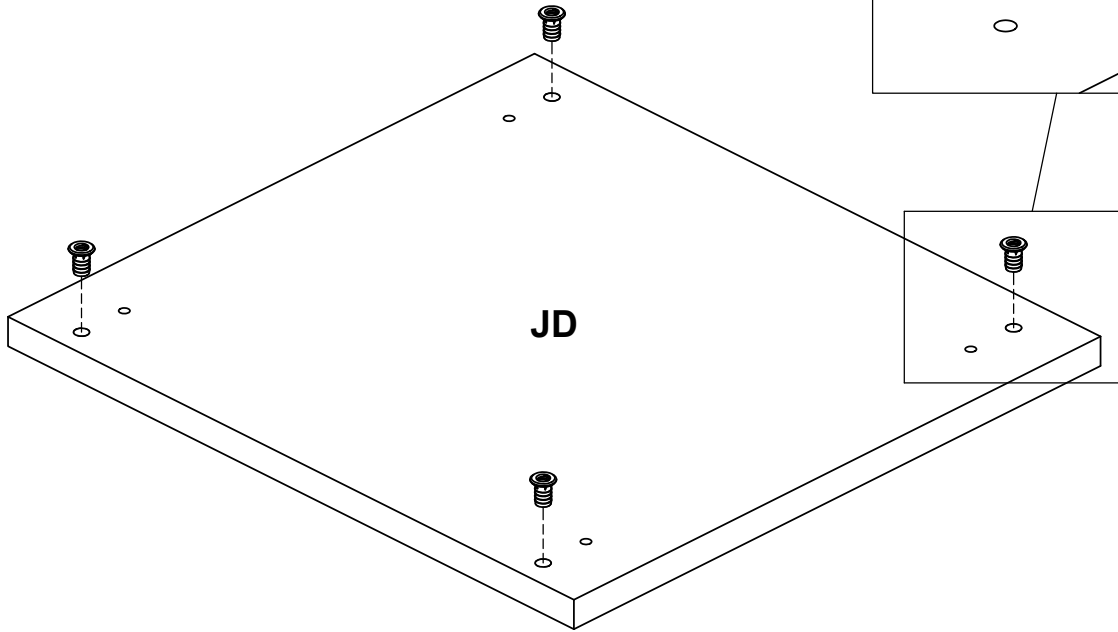
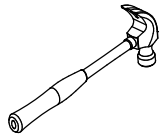
5

0122005

x4



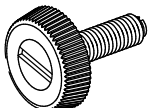
Ø0.55/Ø0.35x0.61"  
Ø14/Ø9x15.5 mm



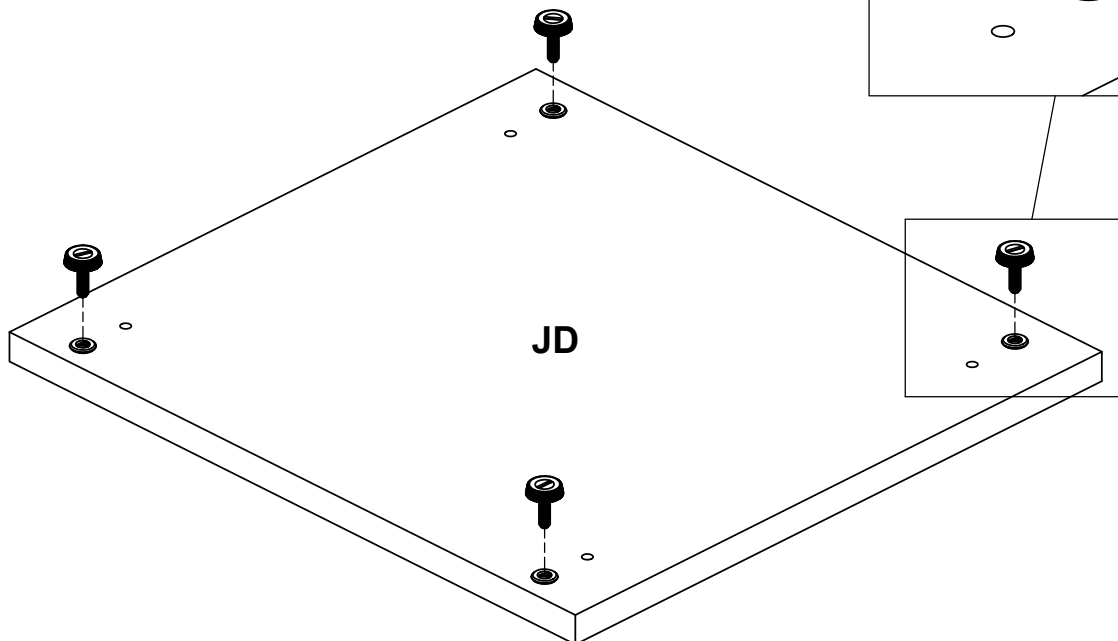
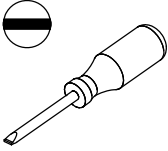
6

0162403

x4



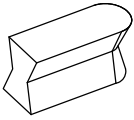
M6x0.79"  
M6x20 mm



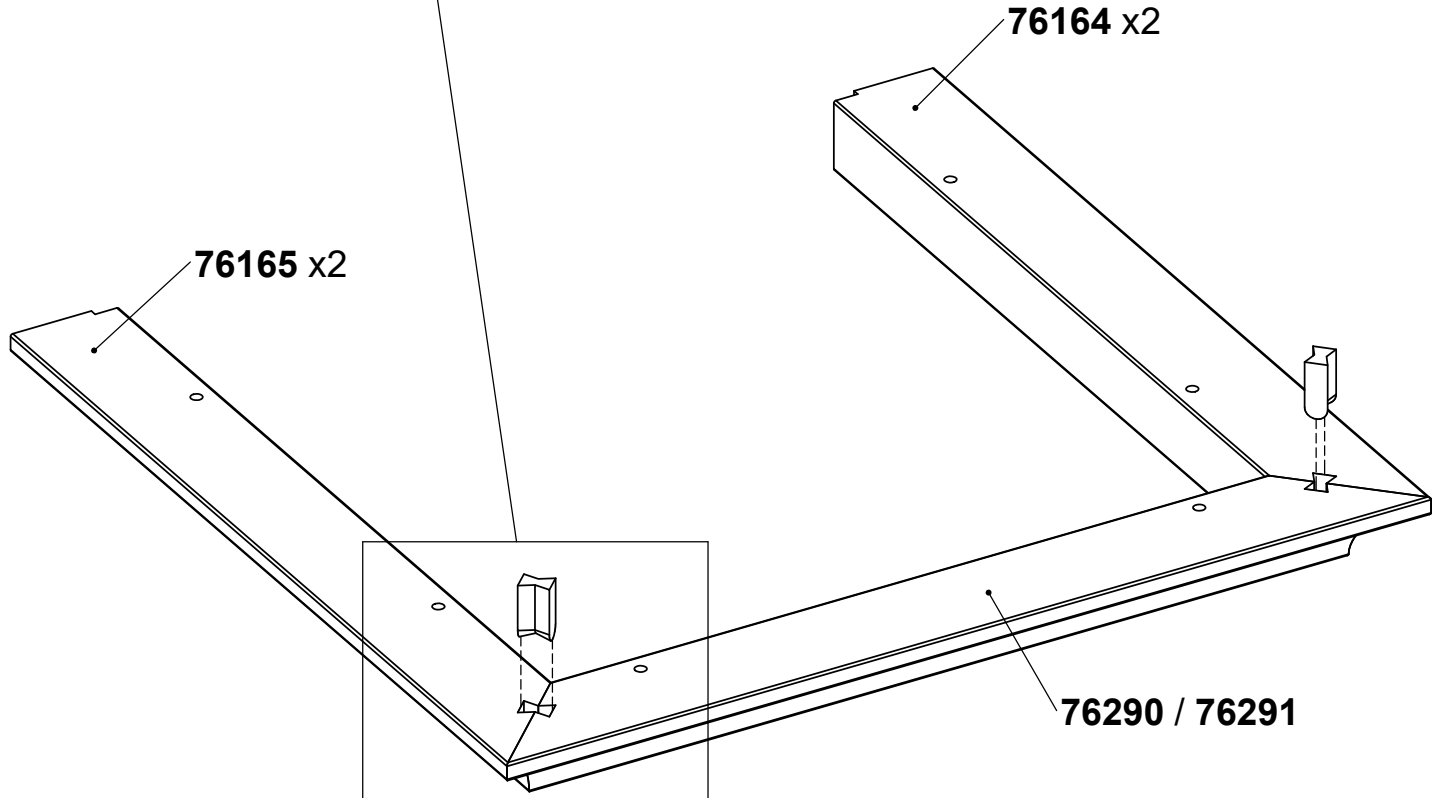
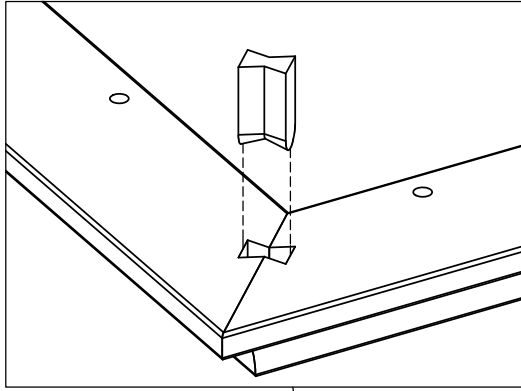
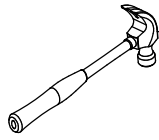
**7**

0133203

**x4**



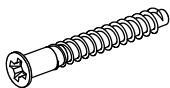
1x0.37x0.51"  
25,4x9,5x13 mm



8

0125604

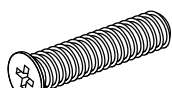
x10



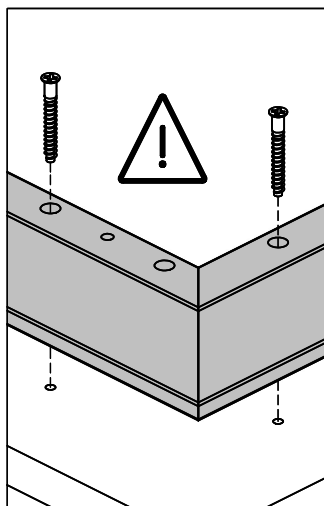
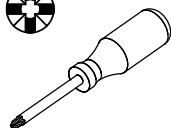
Ø0.2x1.5"  
Ø5x38 mm

0126033

x2



Ø0.25x1.06"  
Ø6,3x27 mm



76164

76165

LD

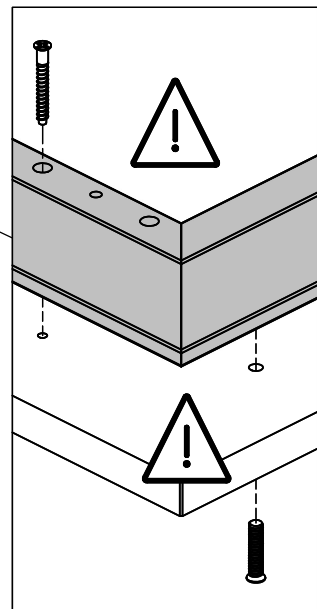
76290

76165

76164

ID

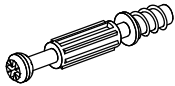
76291



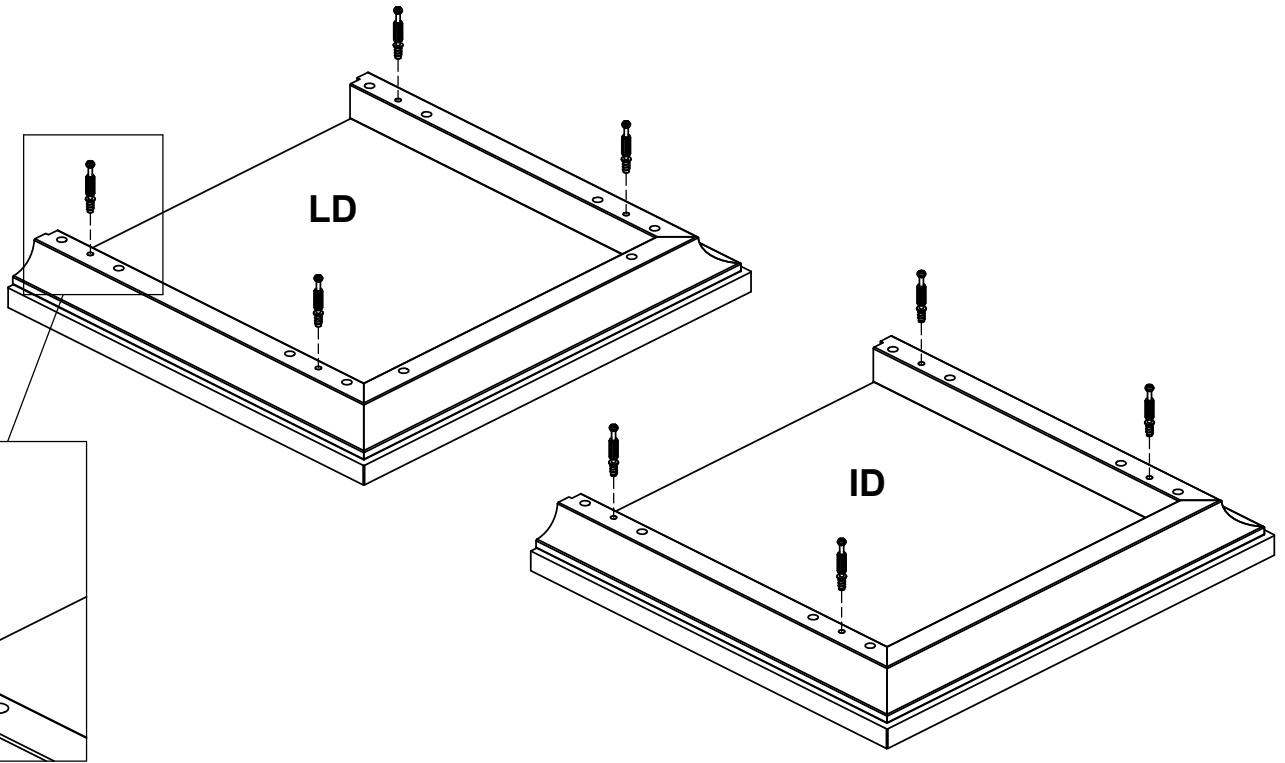
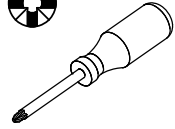
# 9

0131513

x8



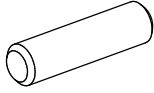
Ø0.30x1.73/1.34"  
Ø7,5x44/34 mm



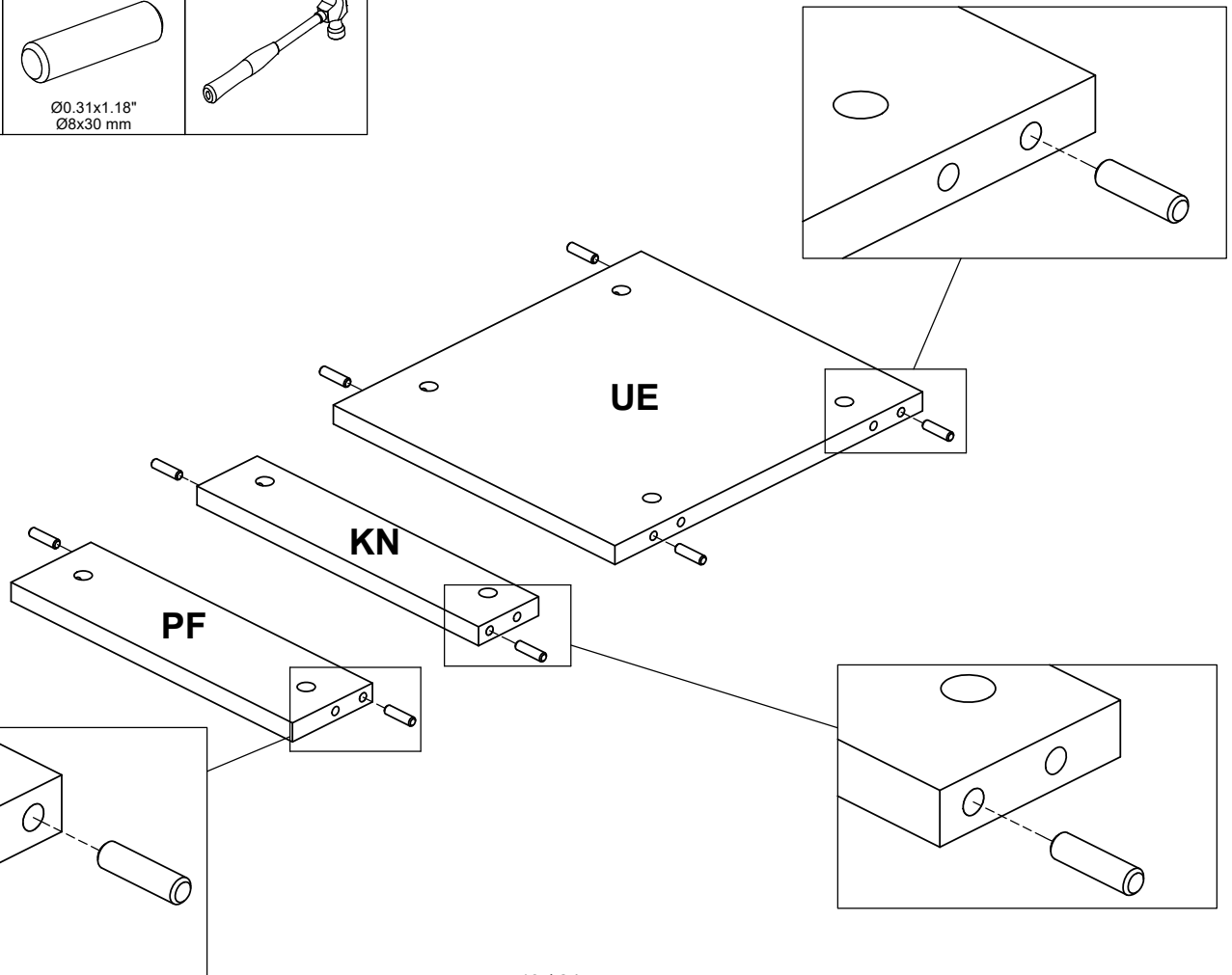
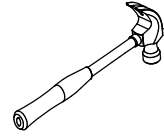
# 10

0120209

x8



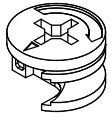
Ø0.31x1.18"  
Ø8x30 mm



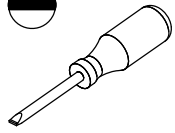
# 11

0131687

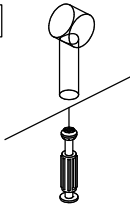
x4



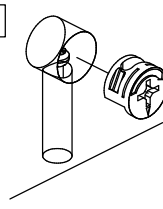
Ø0.59x0.37"  
Ø15x9,5 mm



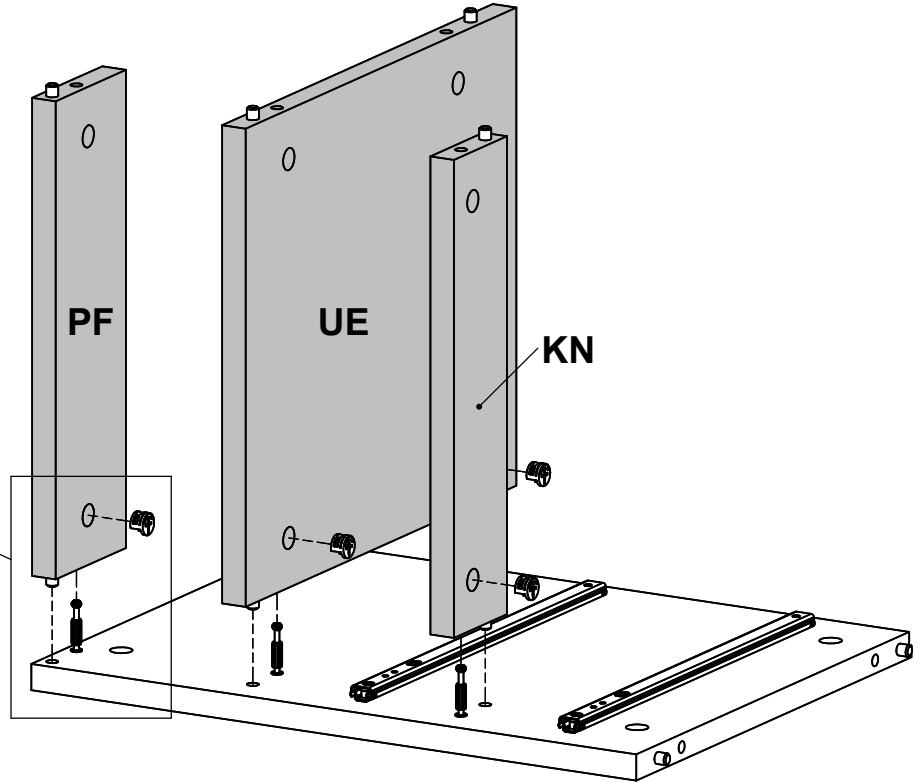
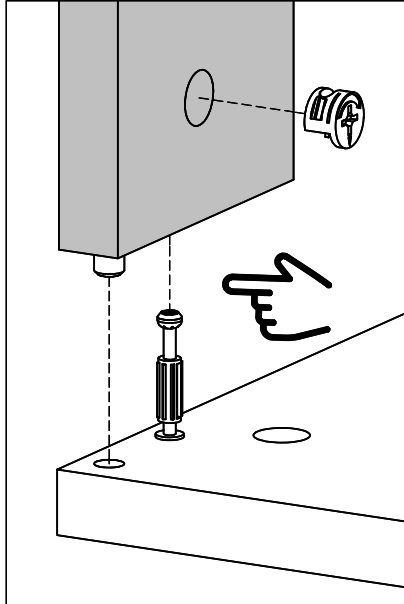
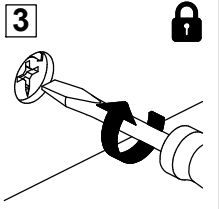
1



2



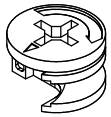
3



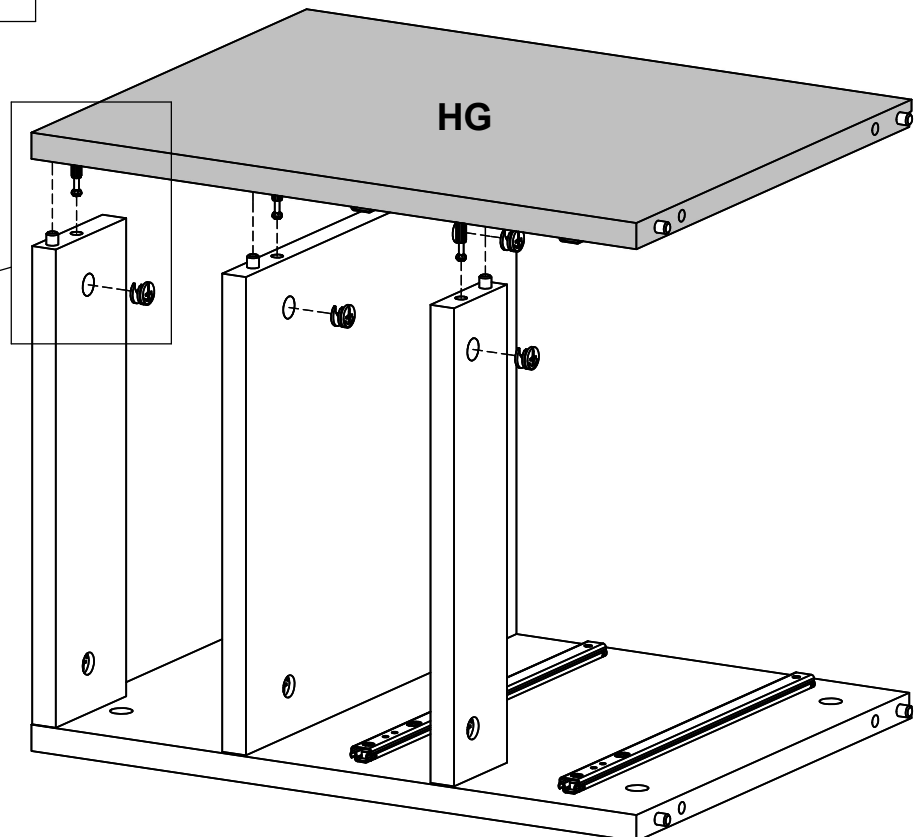
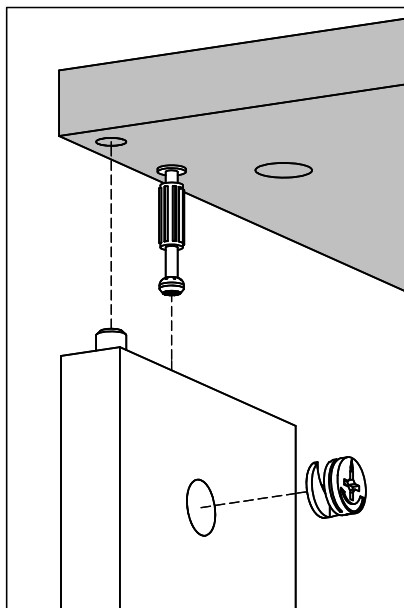
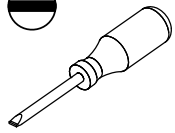
# 12

0131687

x4



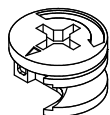
Ø0.59x0.37"  
Ø15x9,5 mm



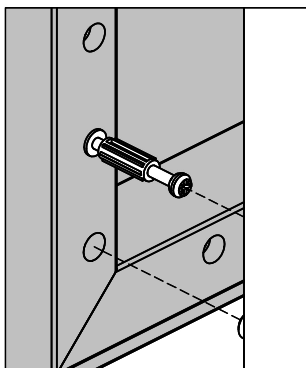
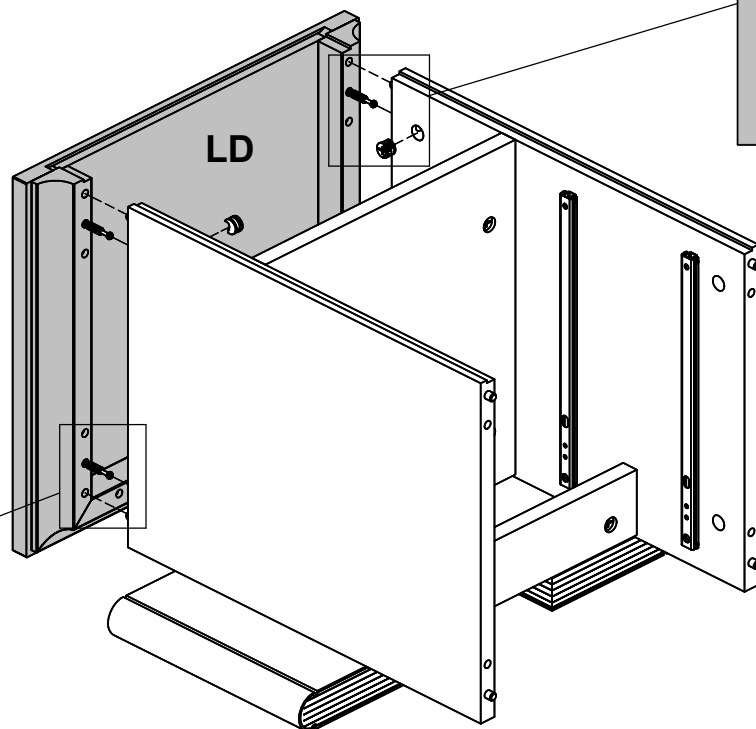
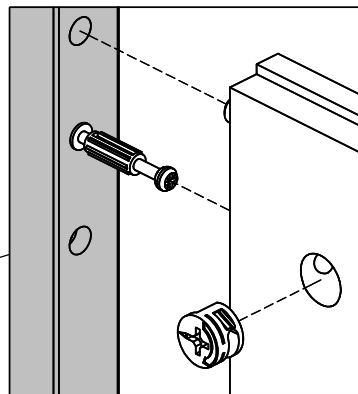
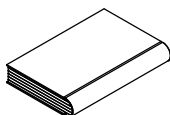
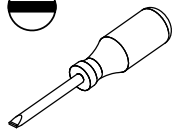
# 13

0131687

x4



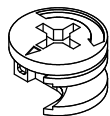
Ø0.59x0.37"  
Ø15x9,5 mm



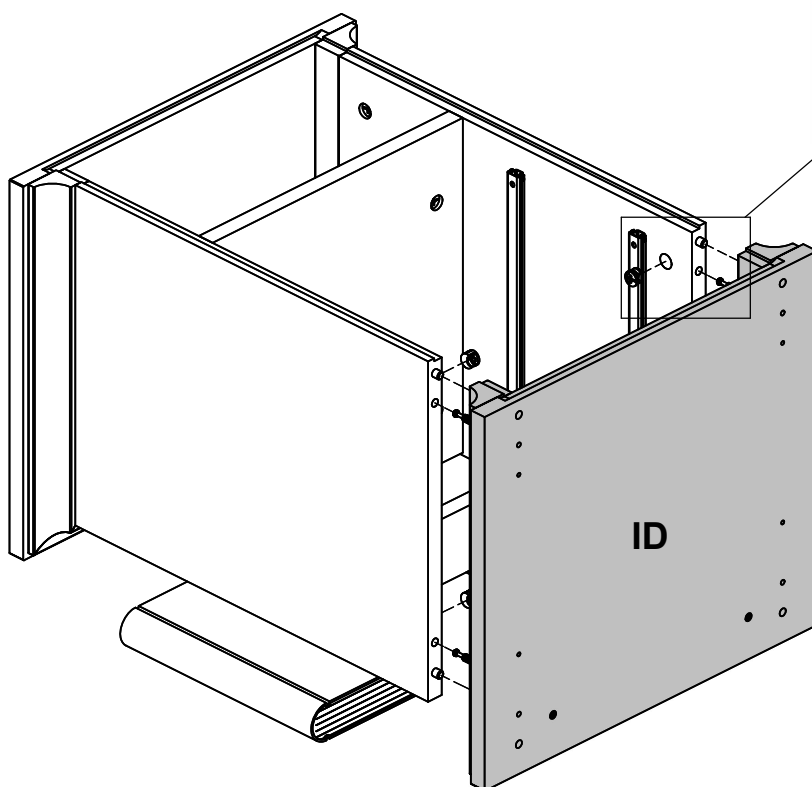
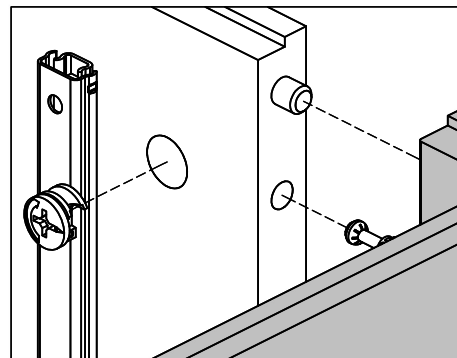
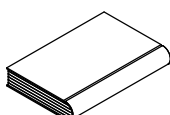
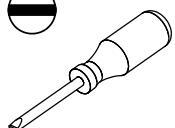
# 14

0131687

x4



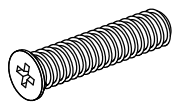
Ø0.59x0.37"  
Ø15x9,5 mm



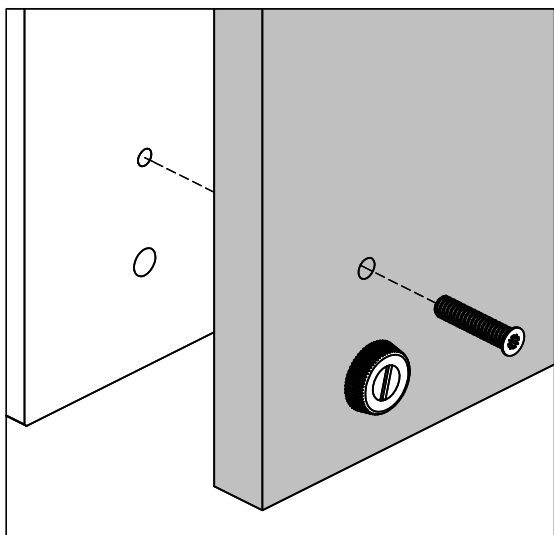
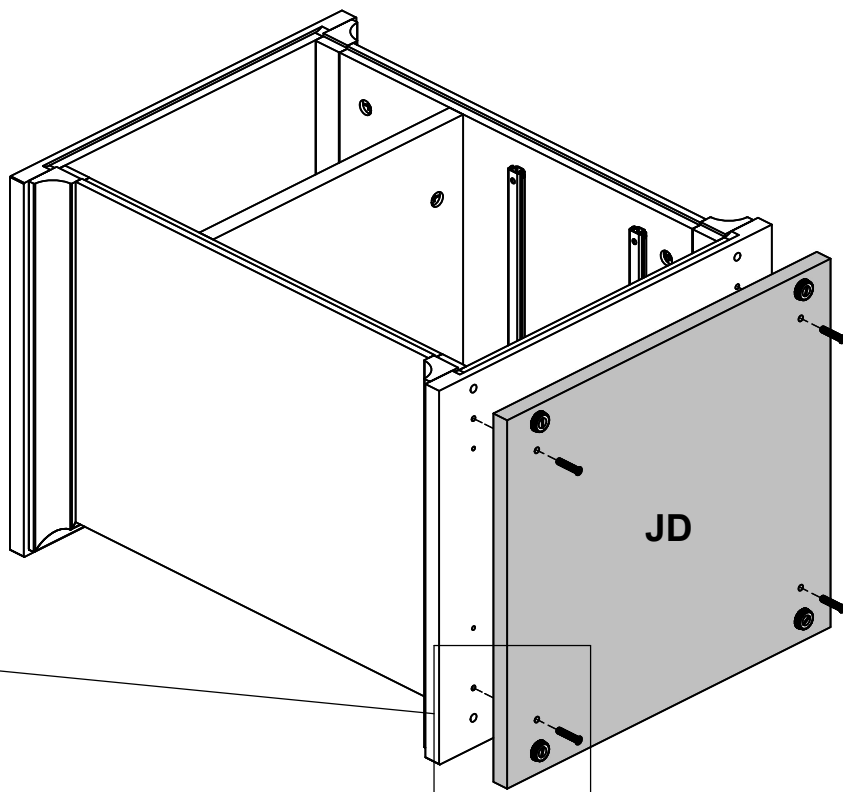
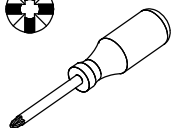
# 15

0126033

x4



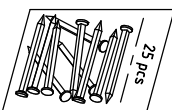
Ø0.25x1.06"  
Ø6,3x27 mm



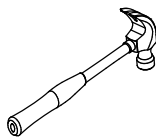
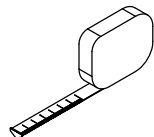
# 16

0123006

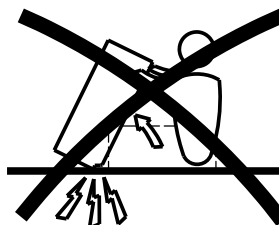
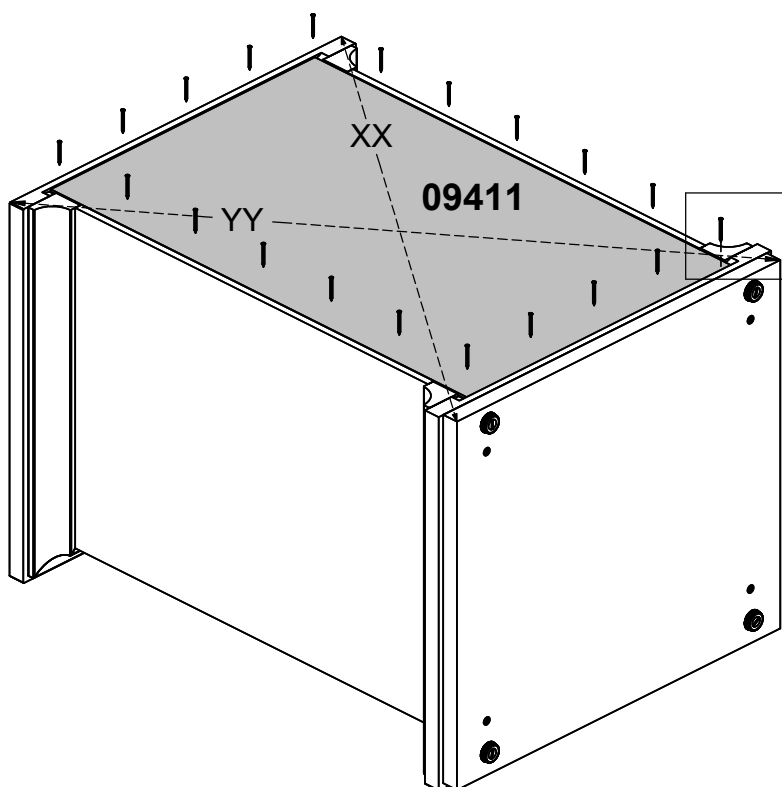
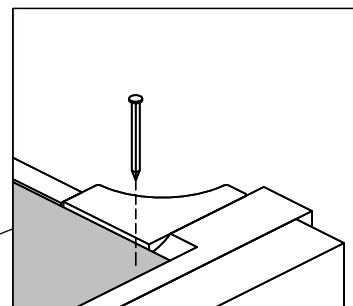
x1

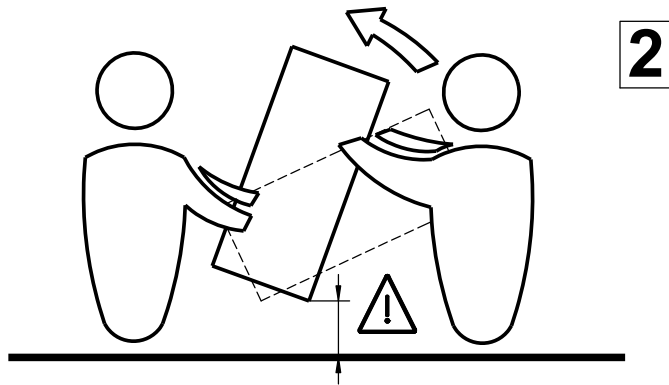
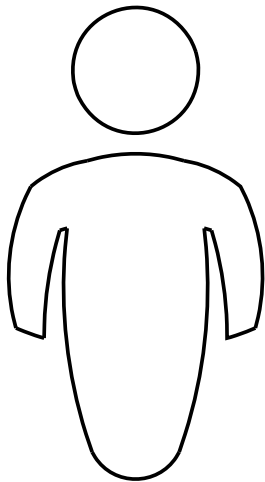
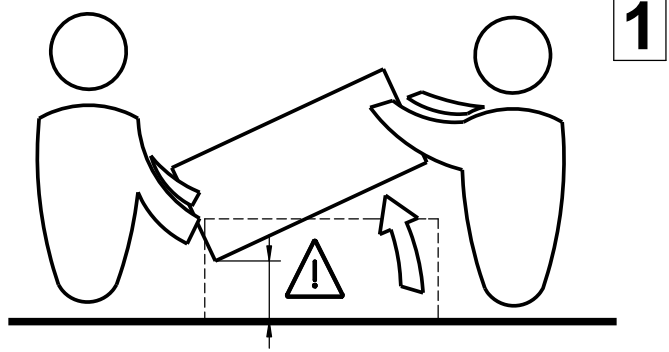
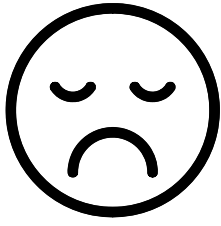


0.06x0.98"  
1,4x25 mm

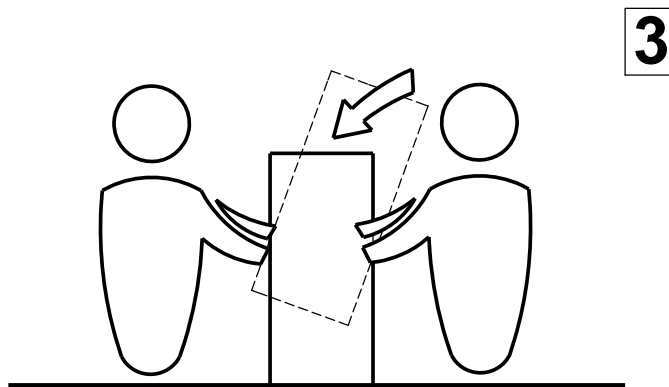


**XX = YY**





x2



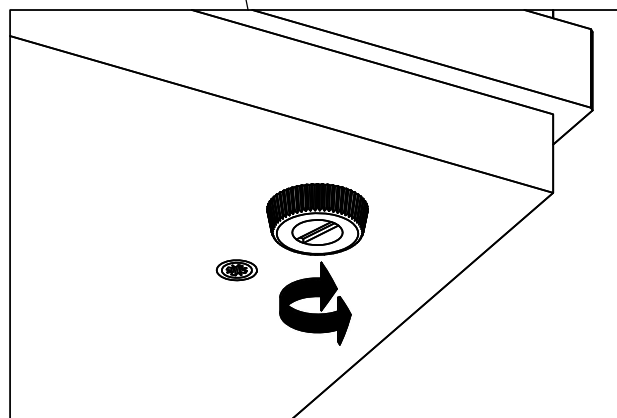
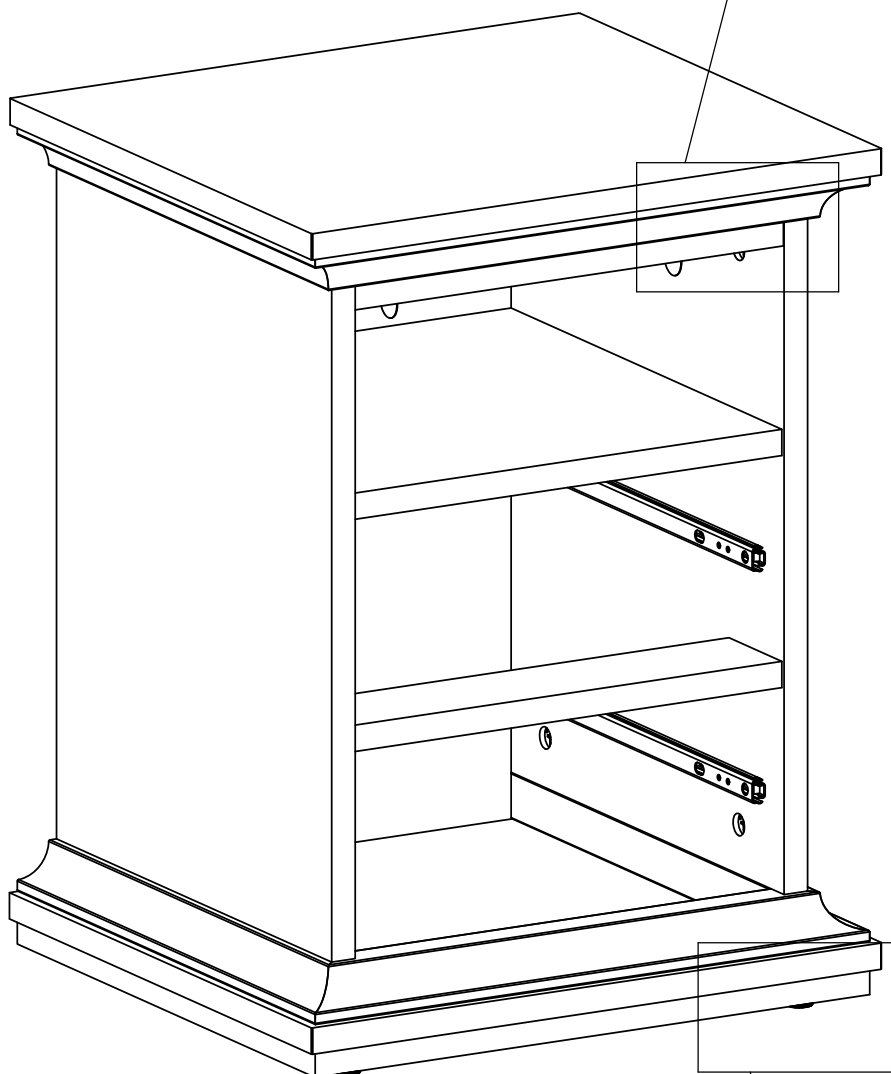
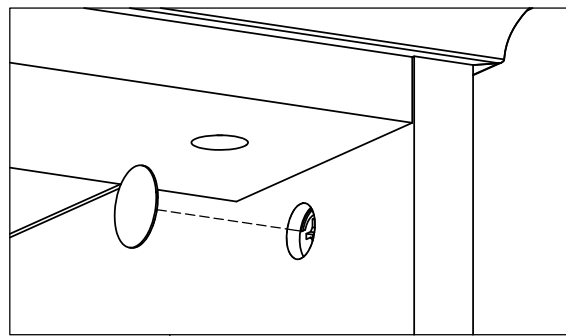
# 17

0110901

x4



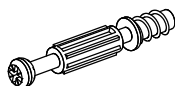
Ø0.87x0.02"  
Ø22x0,5 mm



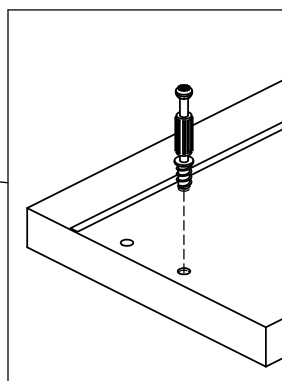
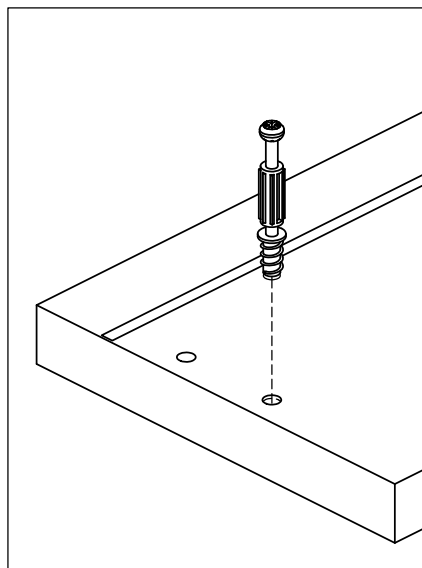
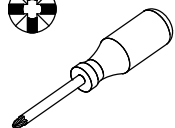
# 18

0131513

x4



Ø0.30x1.73/1.34"  
Ø7,5x44/34 mm



EF x2



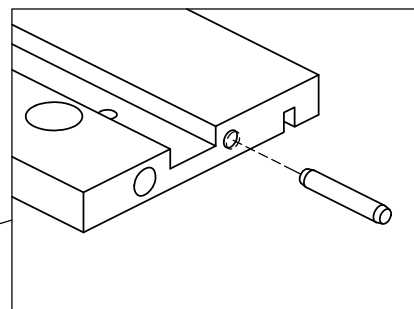
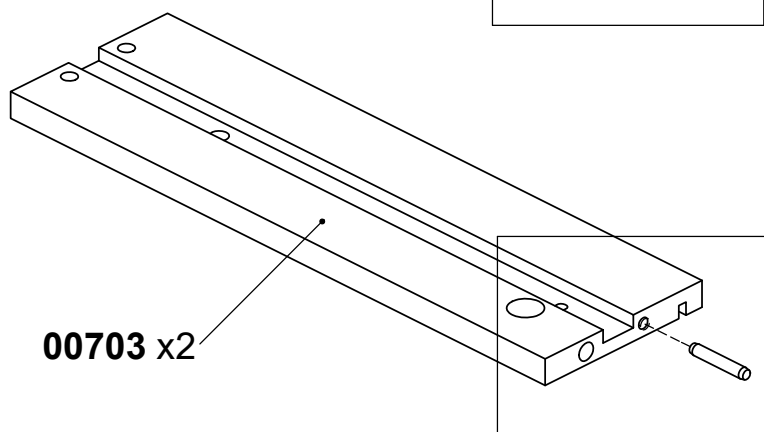
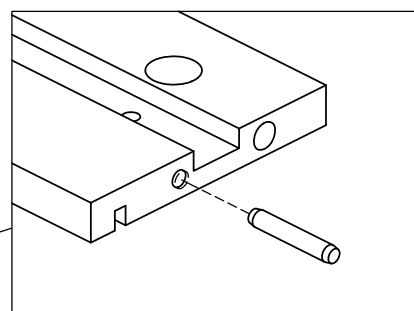
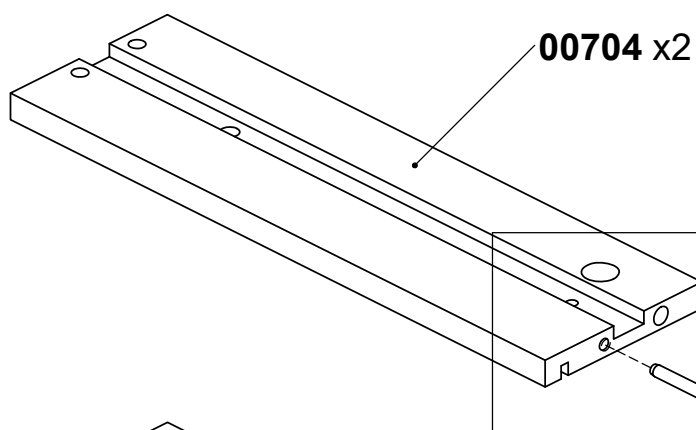
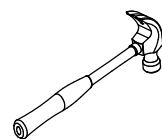
# 19

0120203

x4



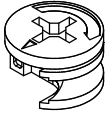
Ø0.2x1.18"  
Ø5x30 mm



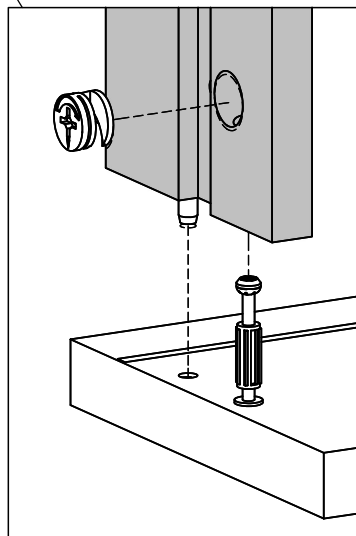
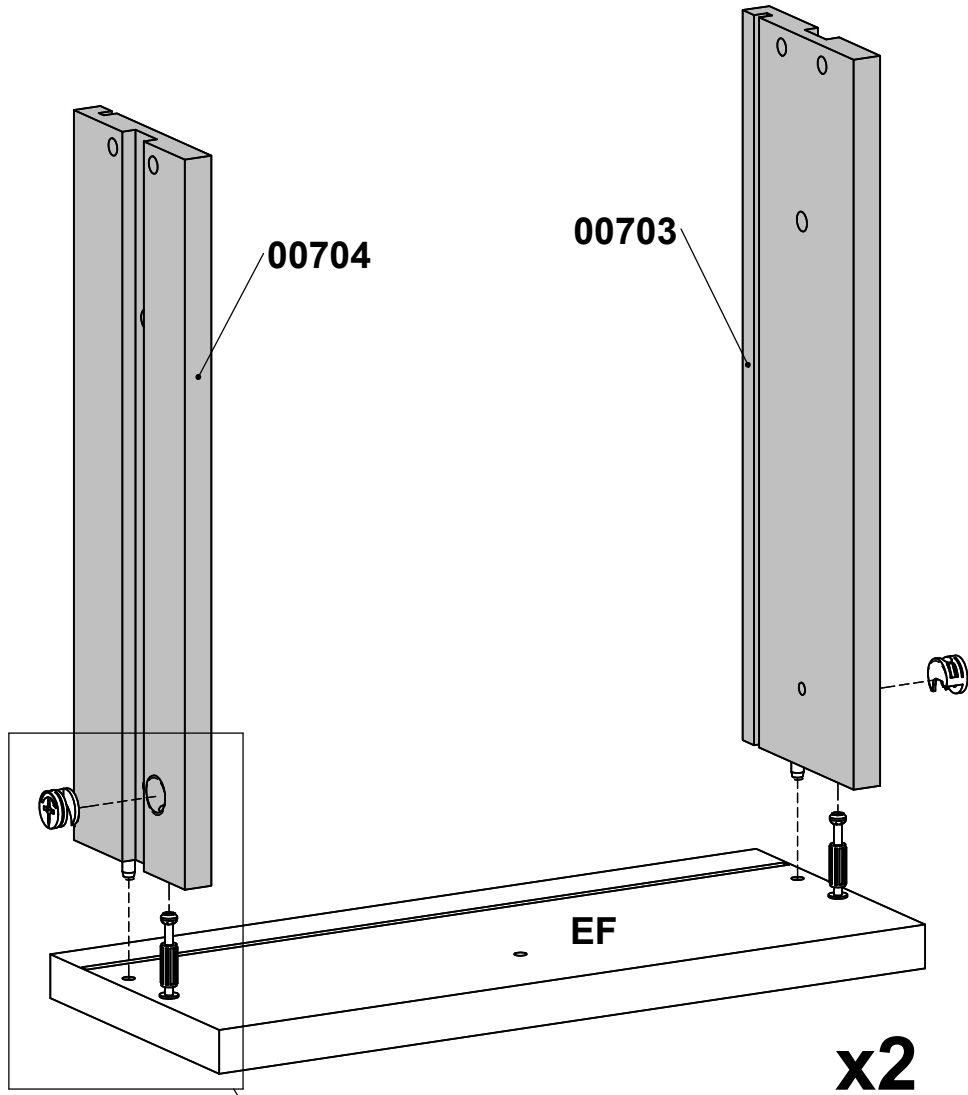
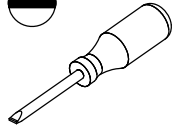
# 20

0131687

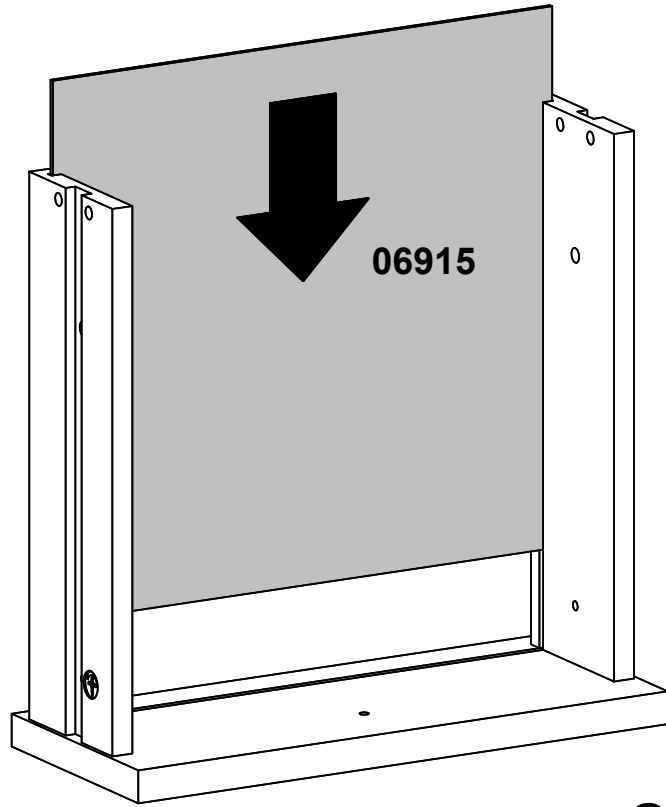
x4



Ø0.59x0.37"  
Ø15x9,5 mm



21

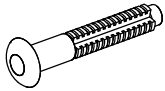


x2

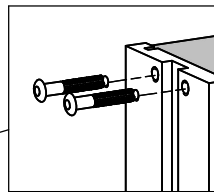
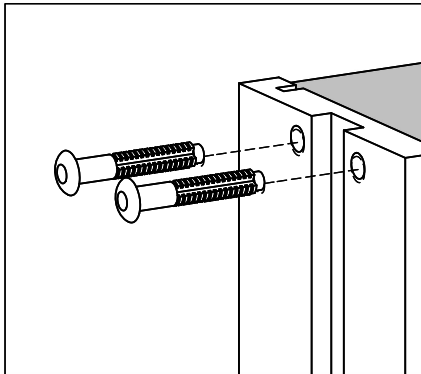
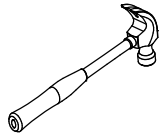
22

0120228

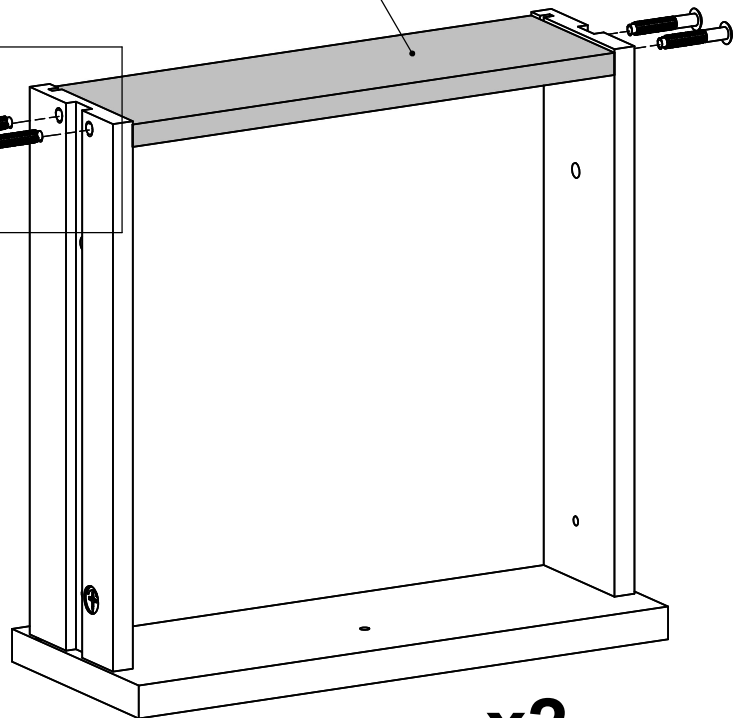
x8



Ø0.25x1.57"  
Ø6.3x40 mm



03413

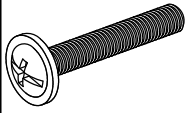


x2

# 23

0126234

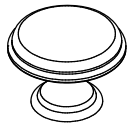
x2



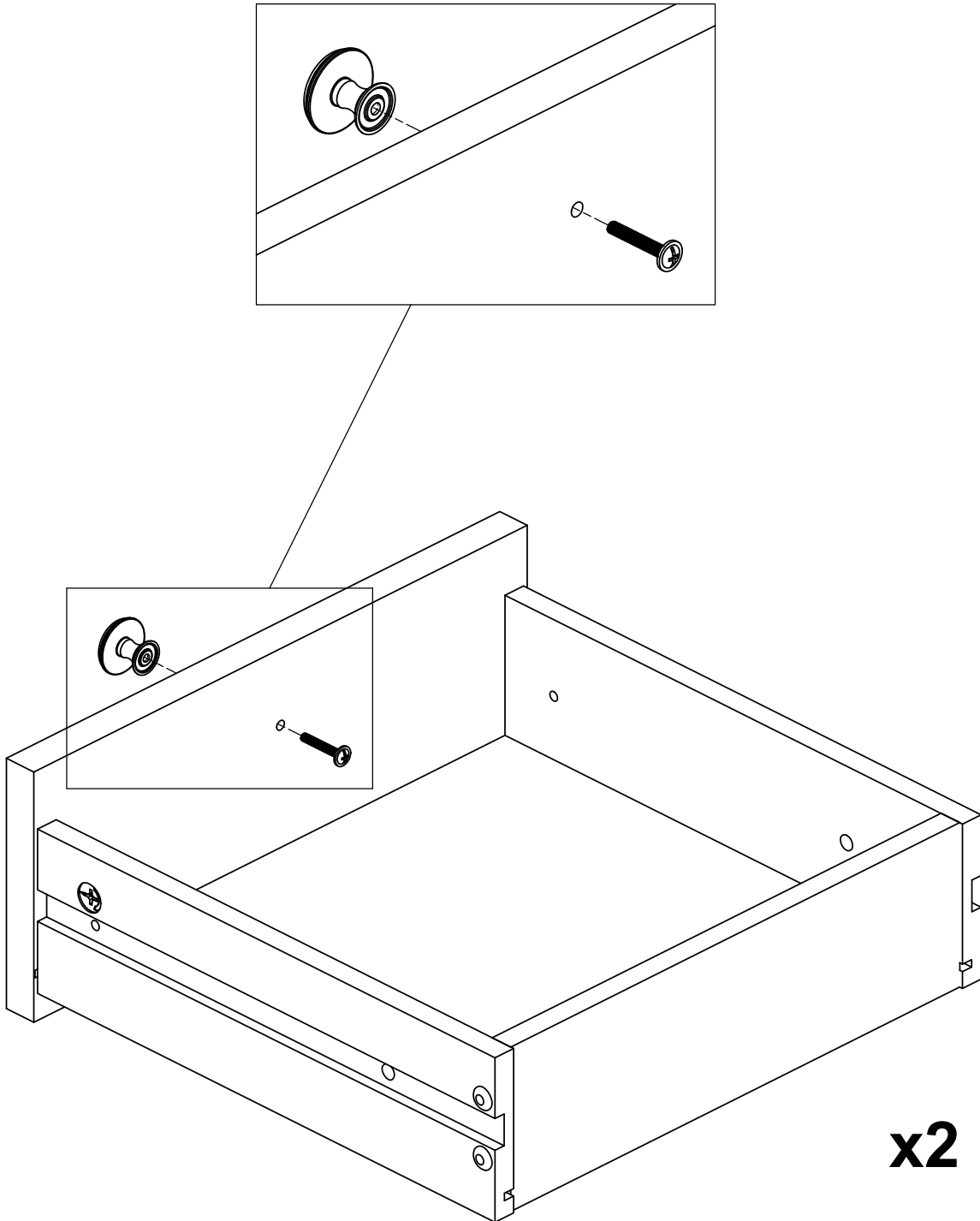
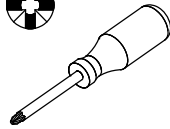
M4x0.98"  
M4x25 mm

0181009

x2



Ø1.1x0.83"  
Ø28x21 mm

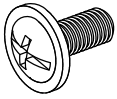


# x2

# 24

0126214

x4



M4x0.35"  
M4x9 mm

